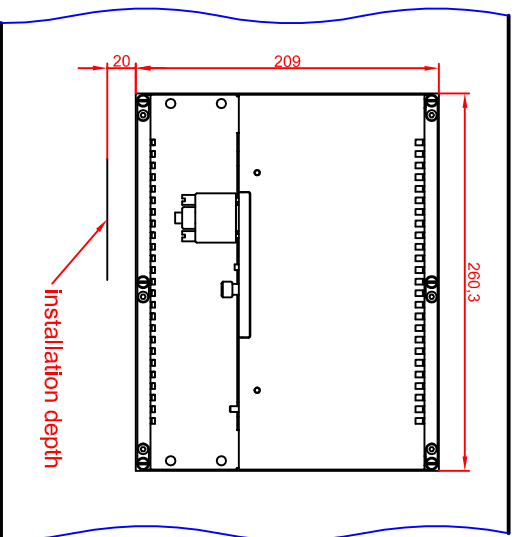


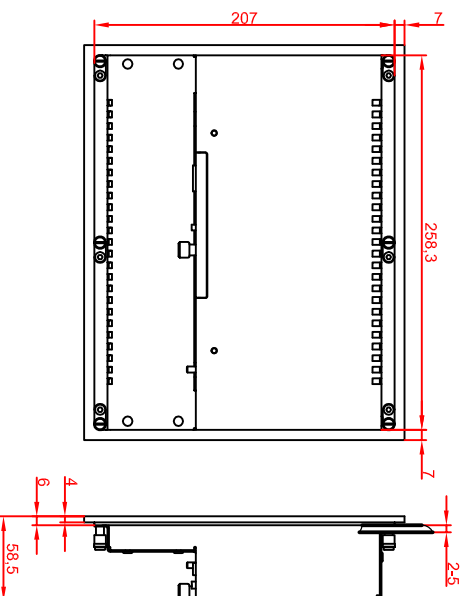
bottom view

CP6619-0001
main dimensions and
fixing points



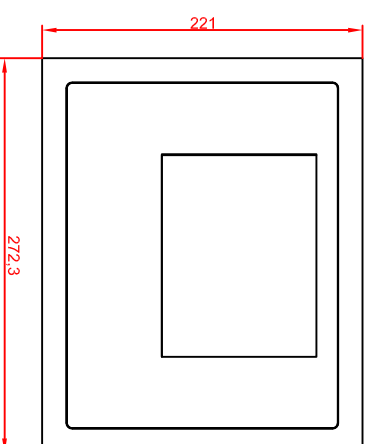
rear view
with
install measure

dimensions in mm



rear view

right view



front view

