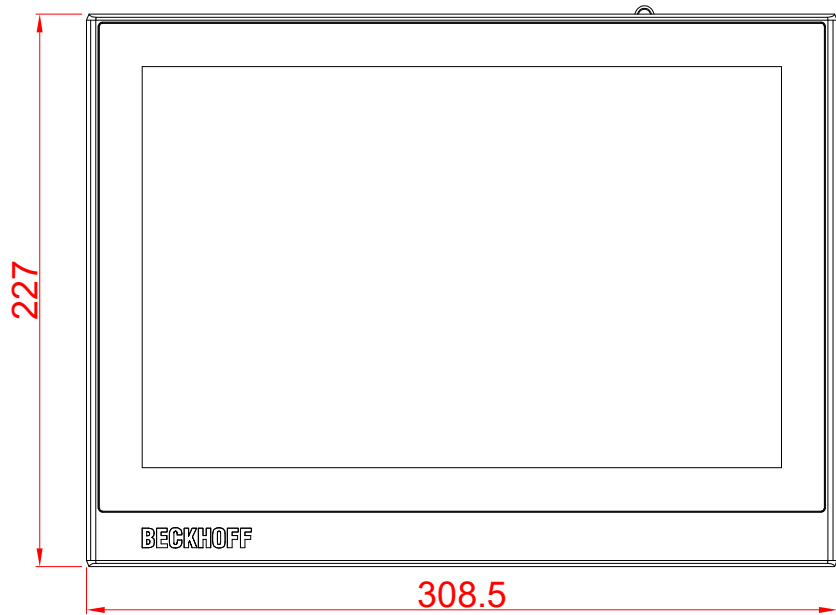


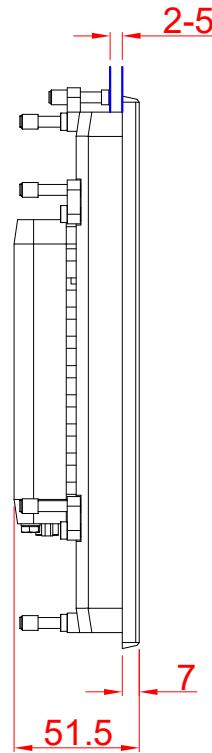
CP2613-0000

main dimensions and
fixing points

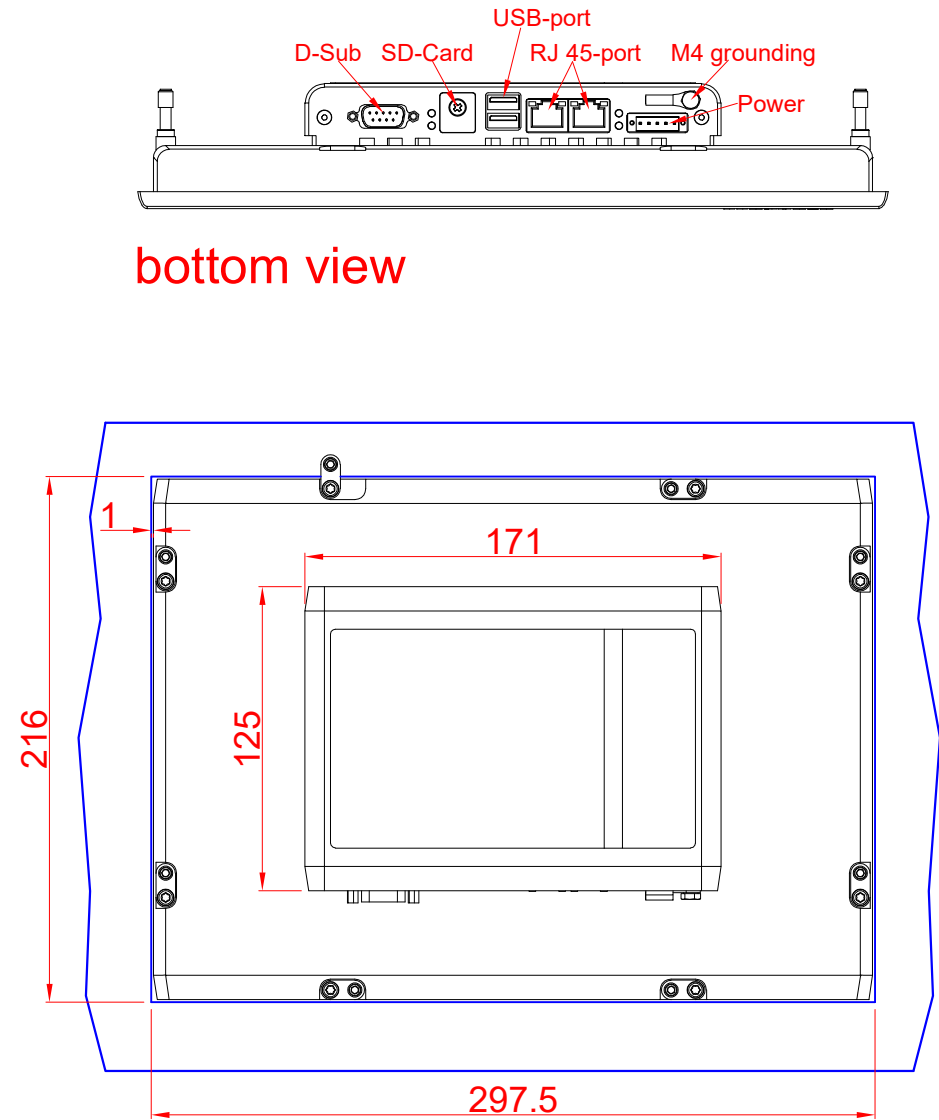
dimensions in mm



front view



left view



bottom view

cut out dimensions: 216mm x 297,5mm

rear view