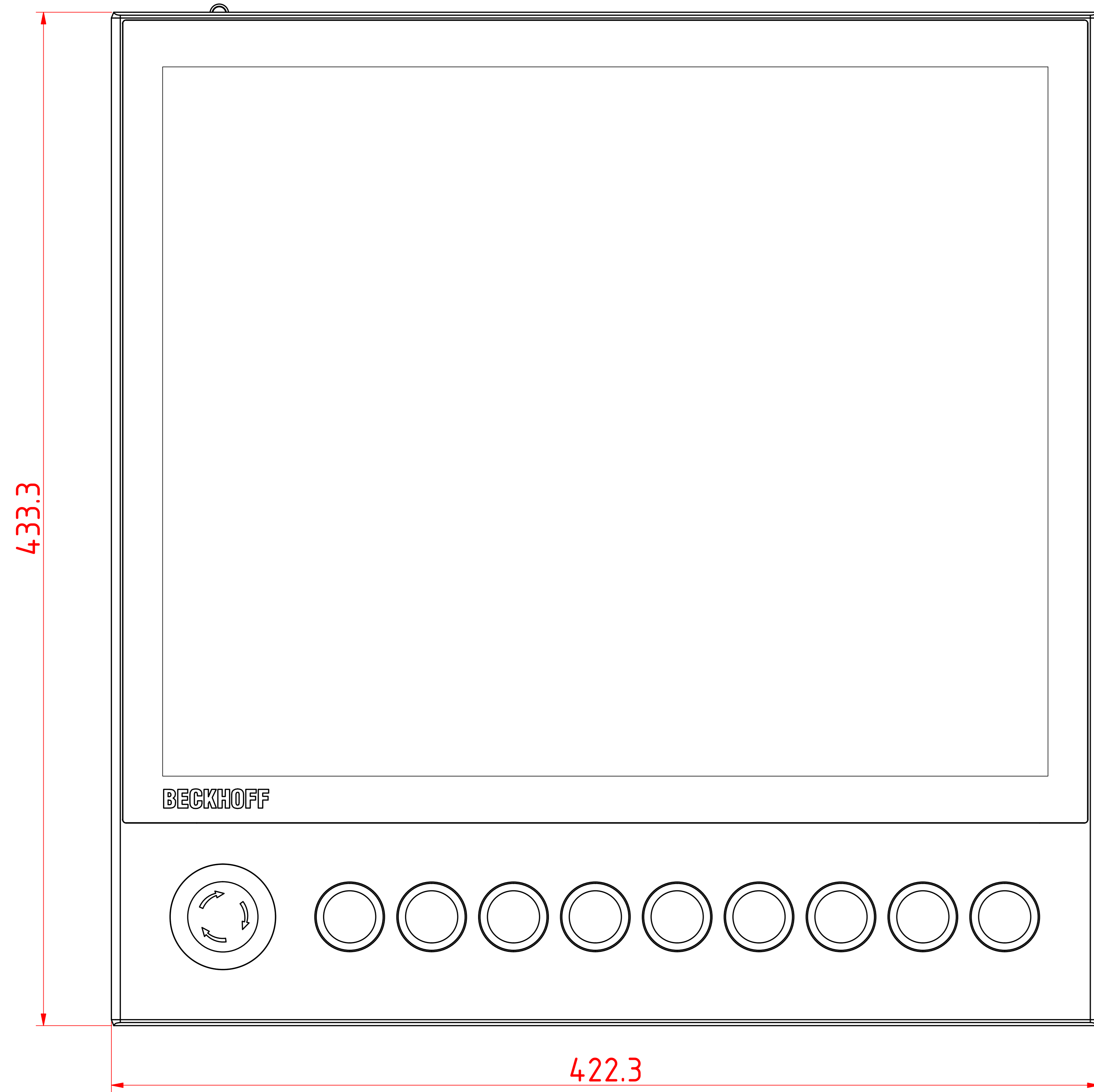
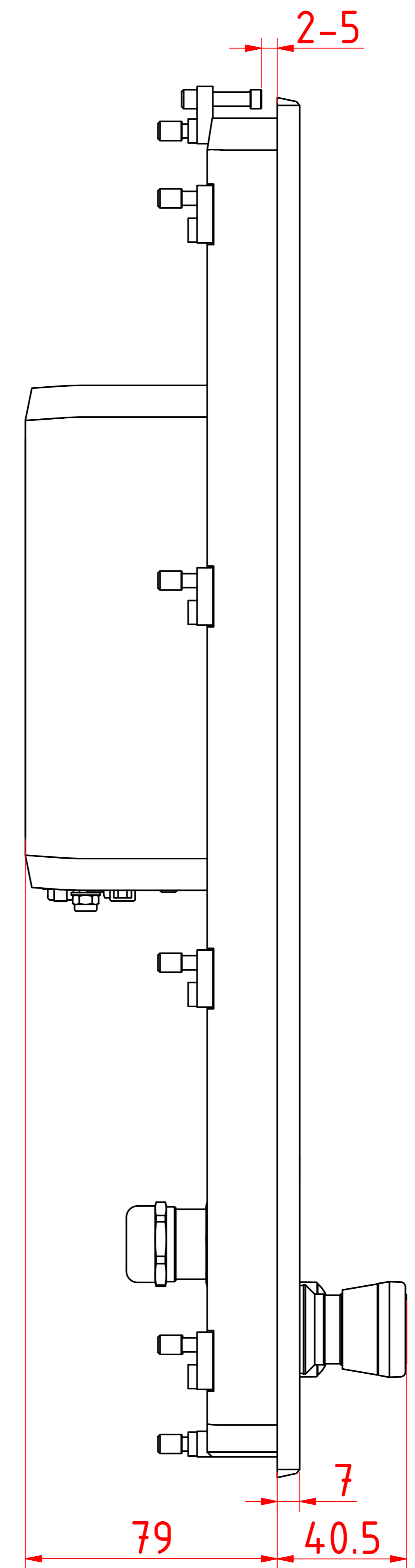


# CP2219-G006

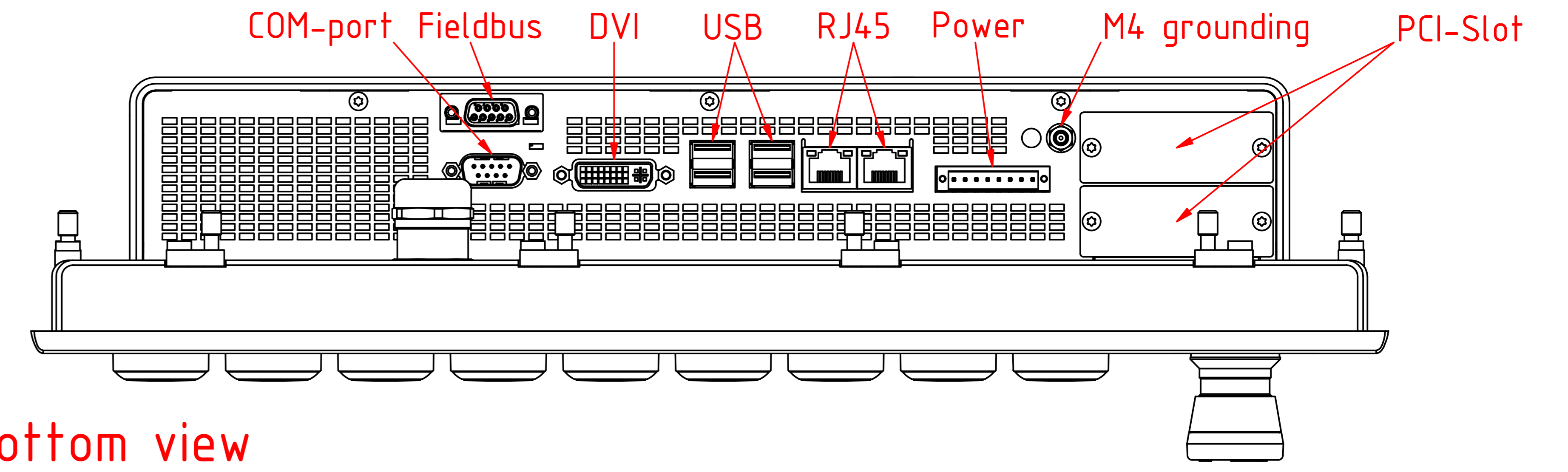
main dimensions and  
fixing points  
dimensions in mm



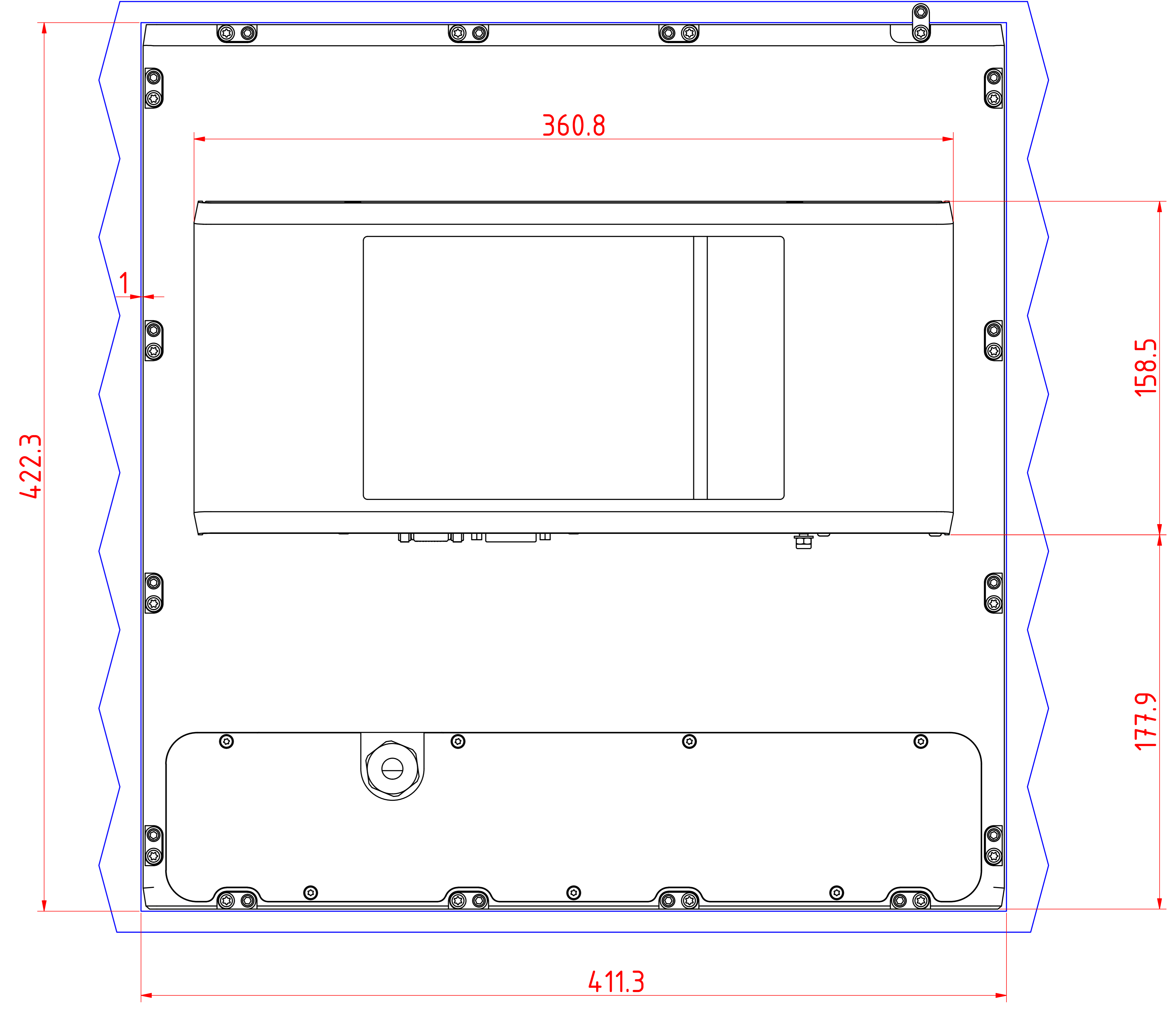
front view



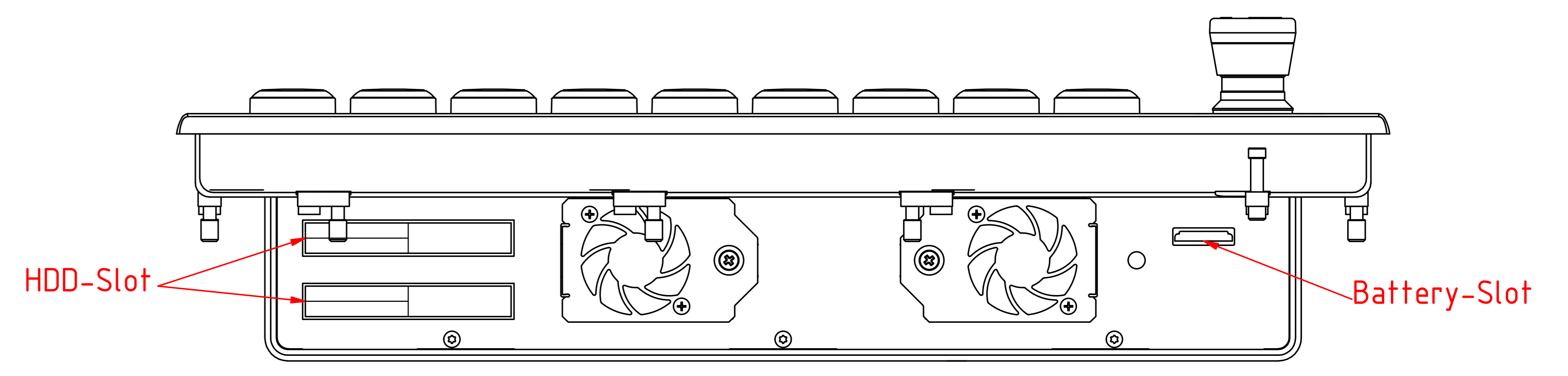
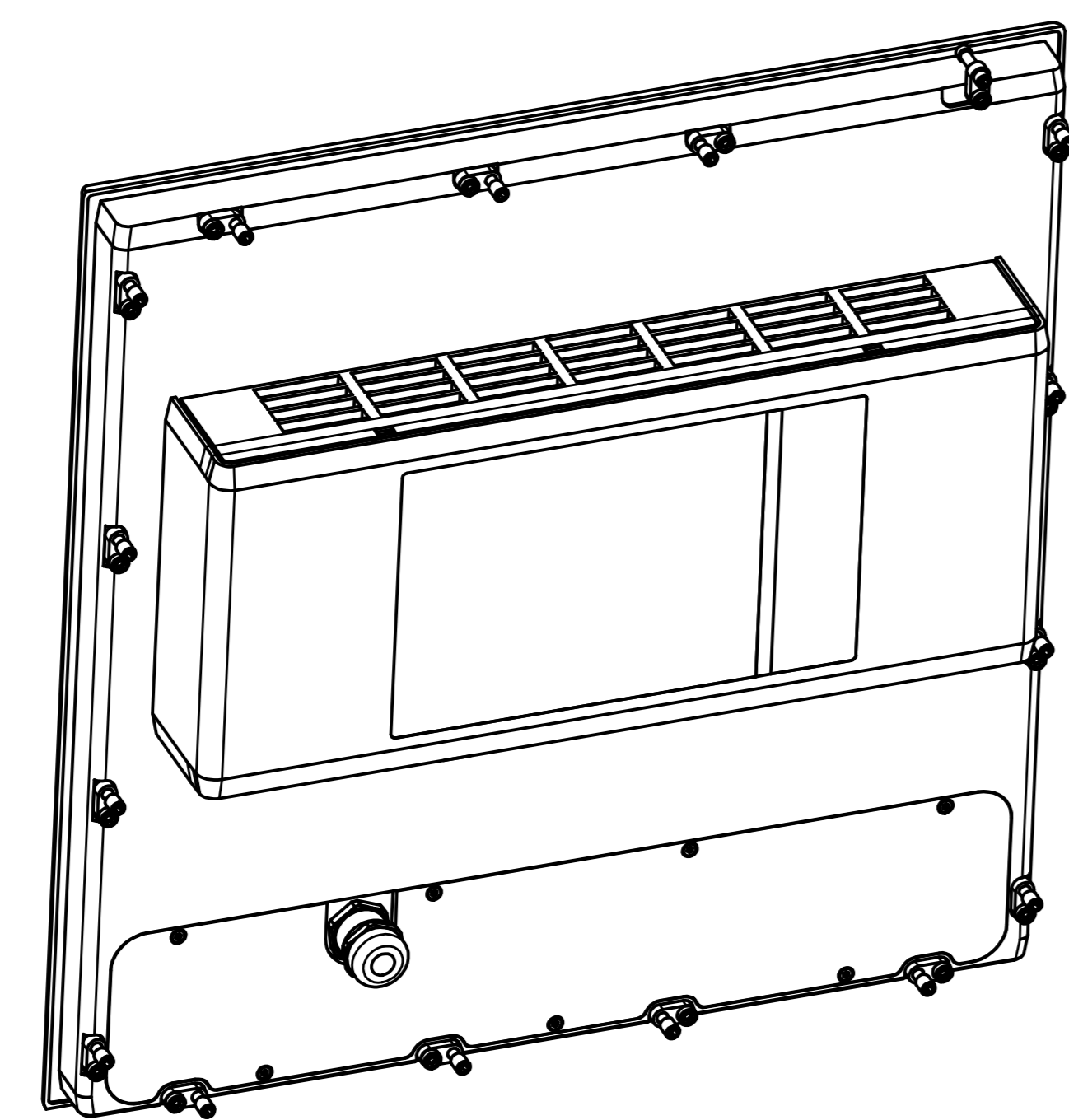
left view



bottom view



cut out dimensions: 422.3mm x 411.3mm  
rear view



top view