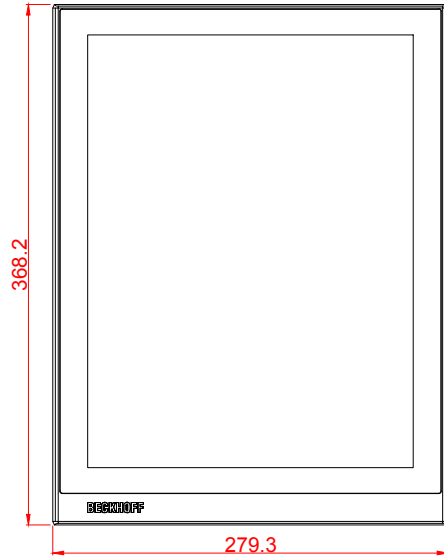
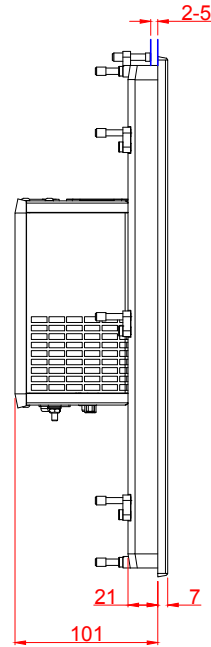


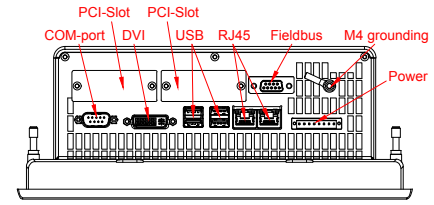
CP2215-M575-0010  
main dimensions and  
fixing points  
dimensions in mm



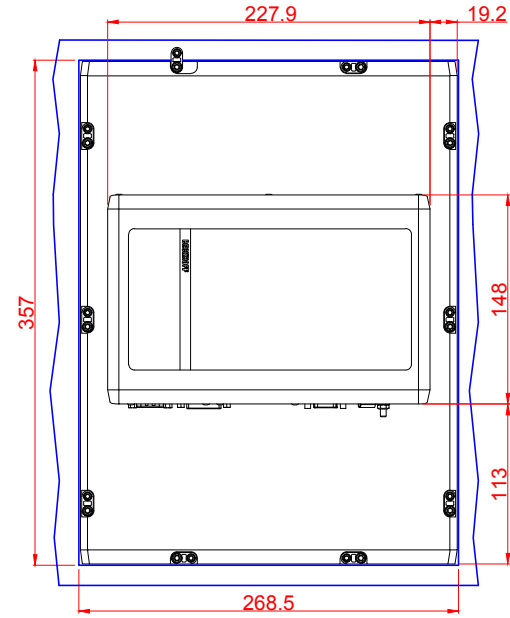
front view



left view

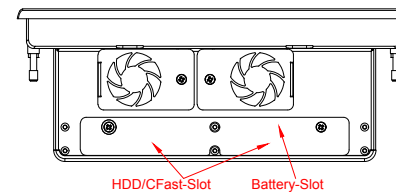


bottom view



cut out dimensions: 357mm x 268,5mm

rear view



top view