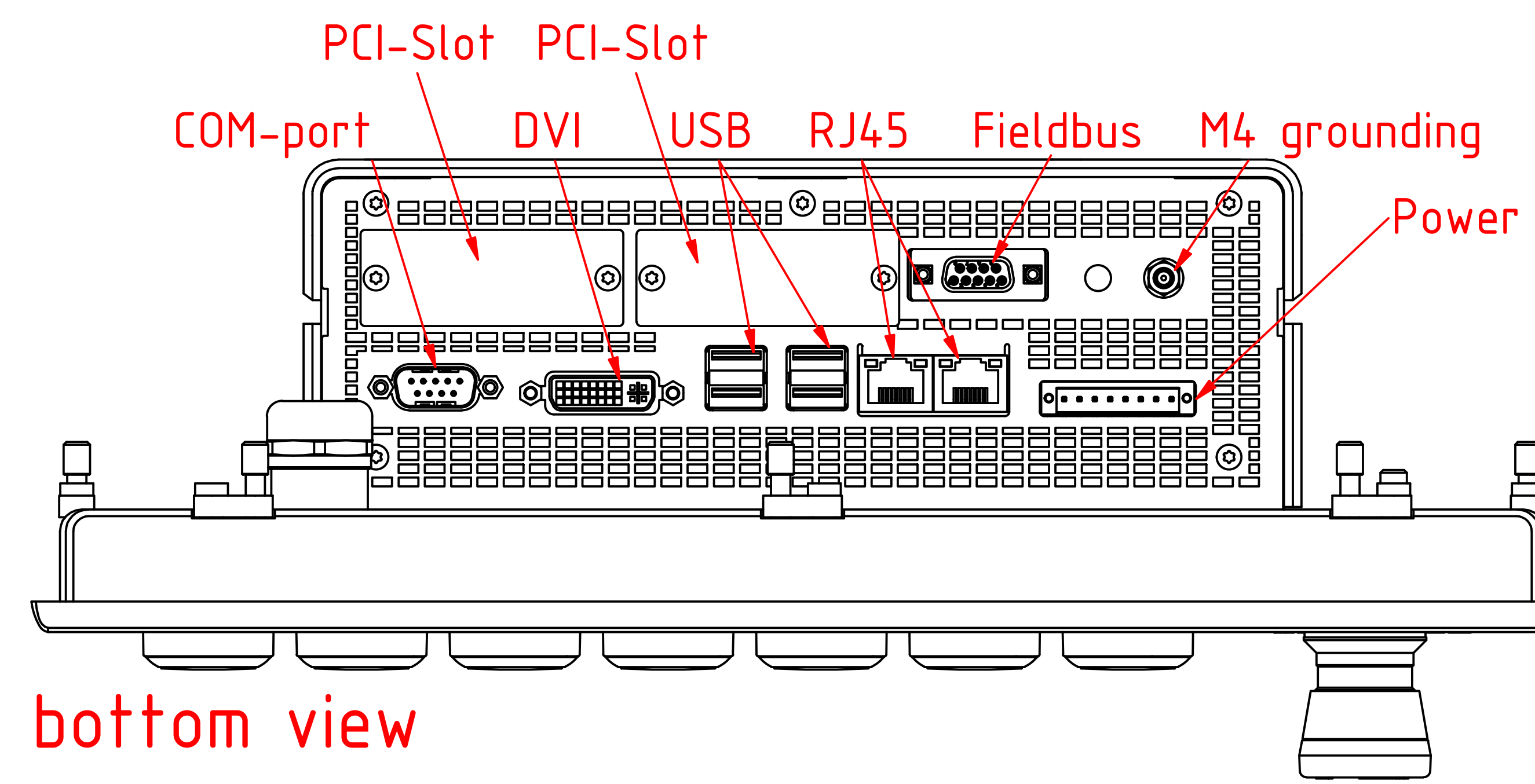
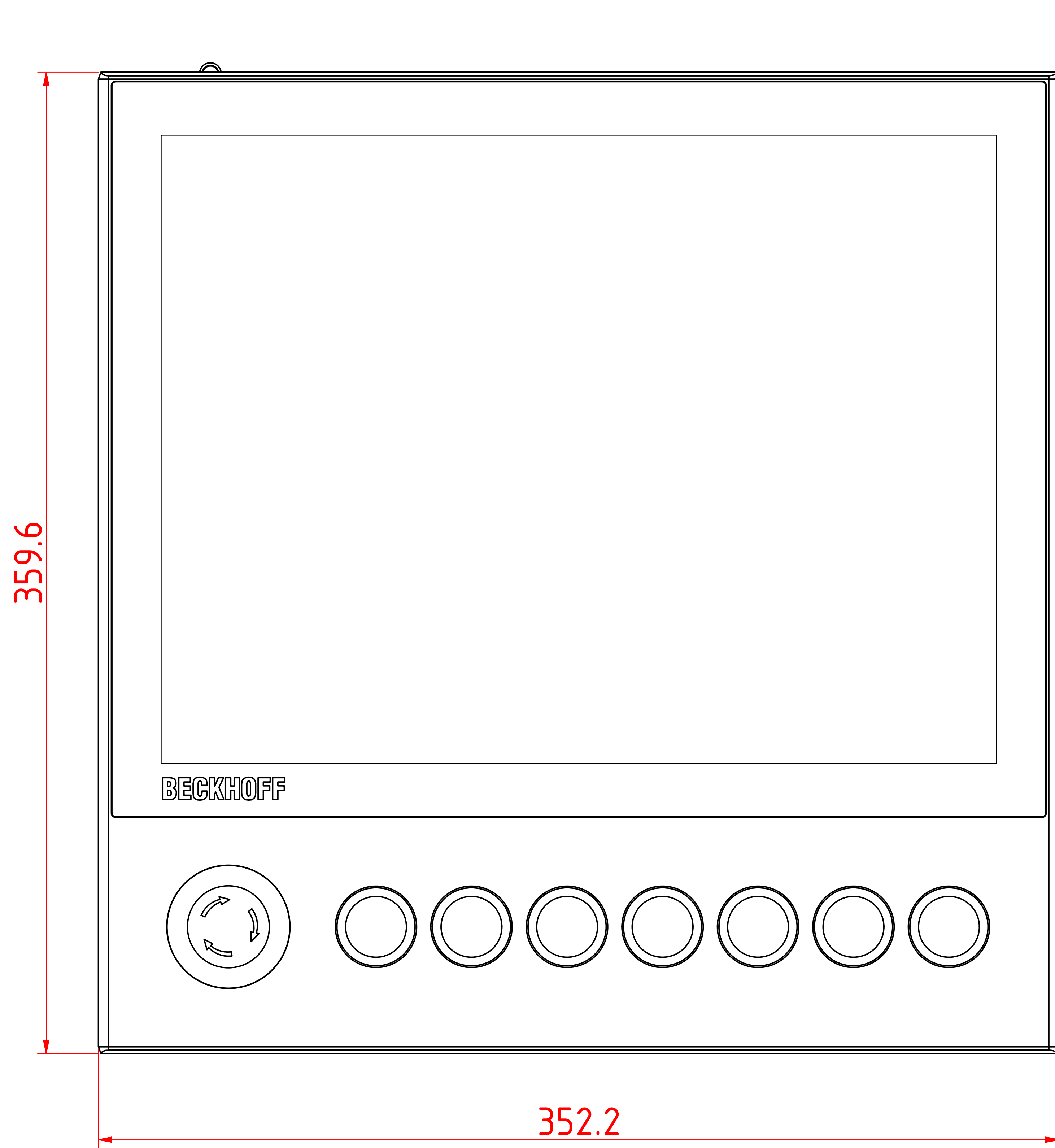


CP2215-G003

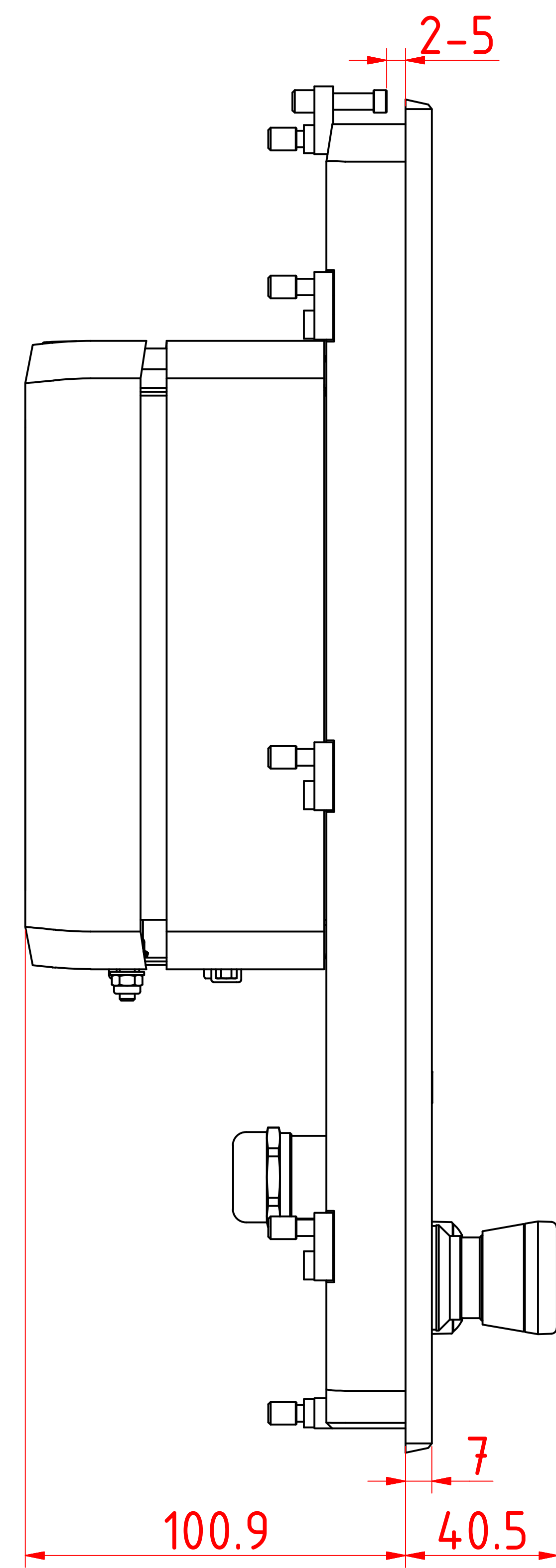
main dimensions and
fixing points
dimensions in mm



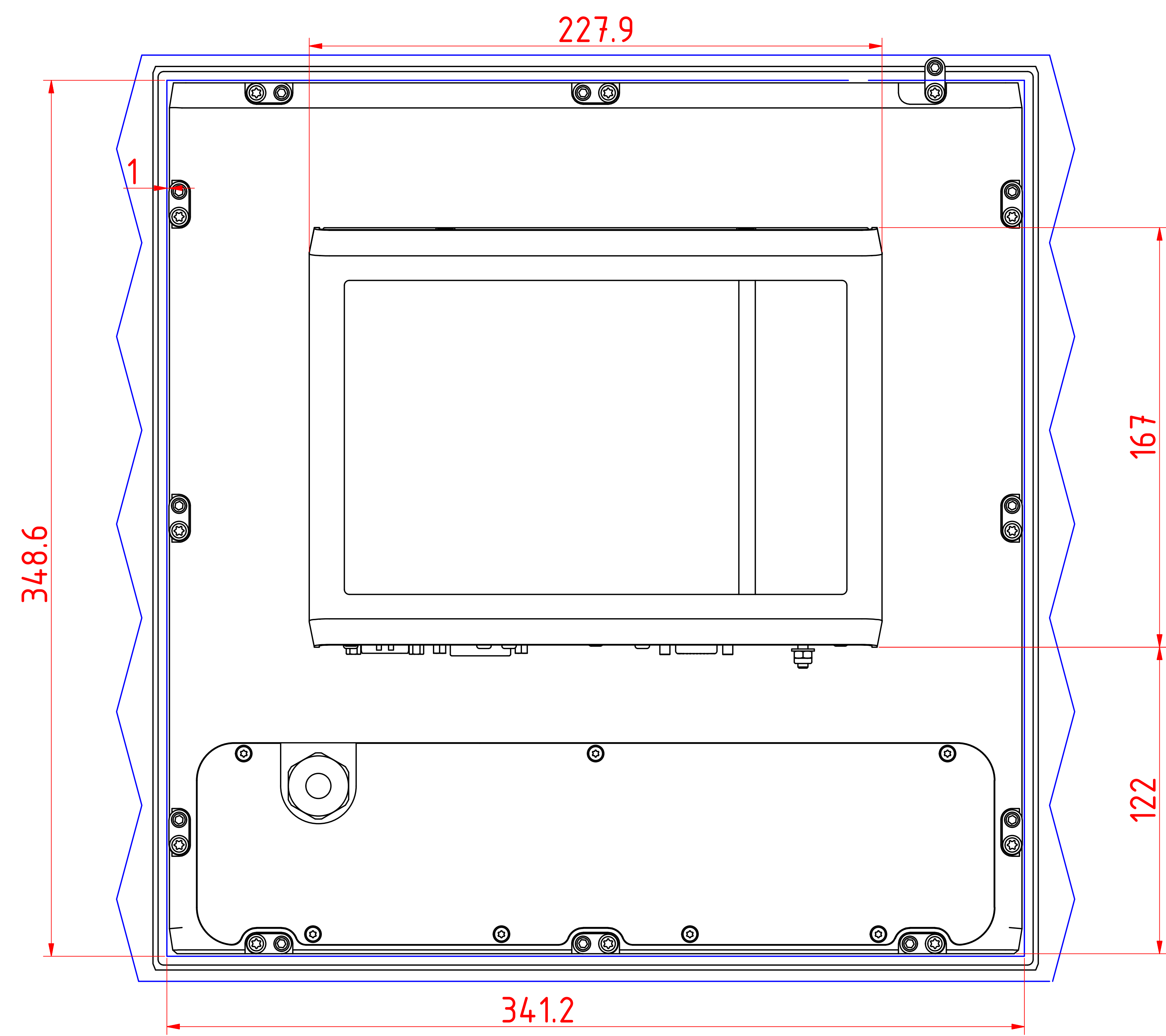
bottom view



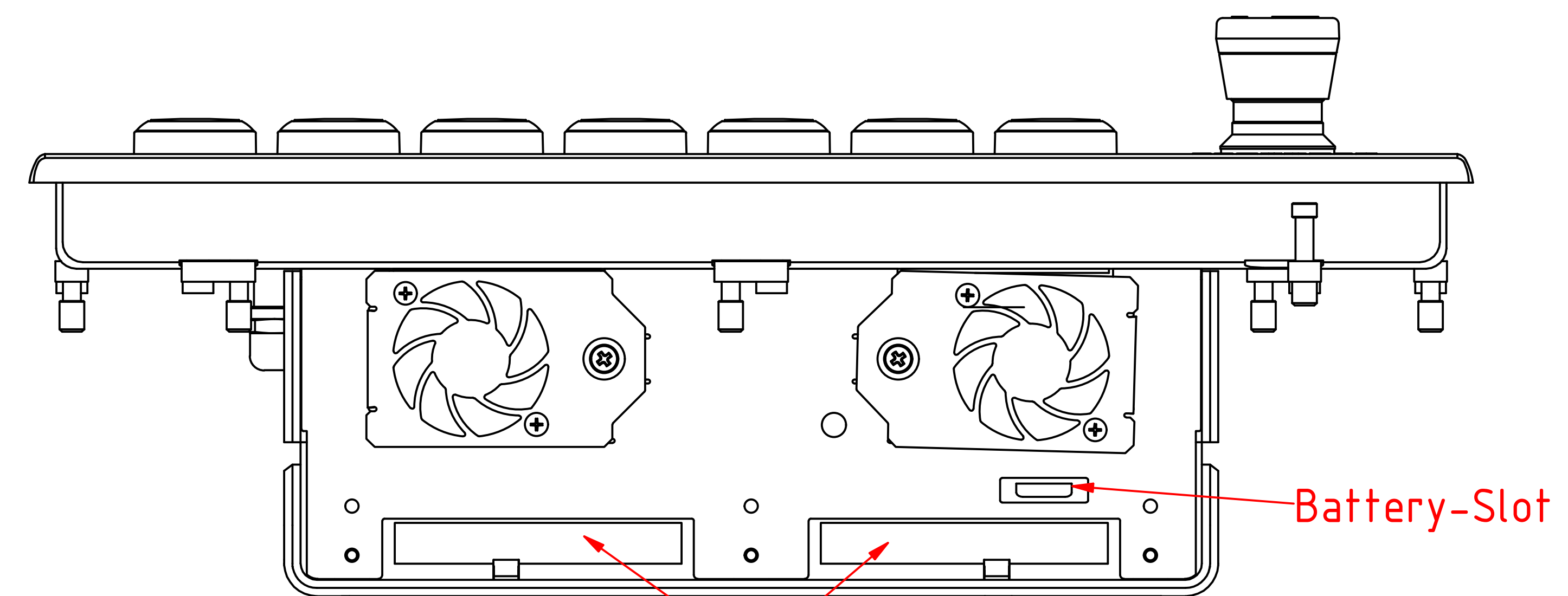
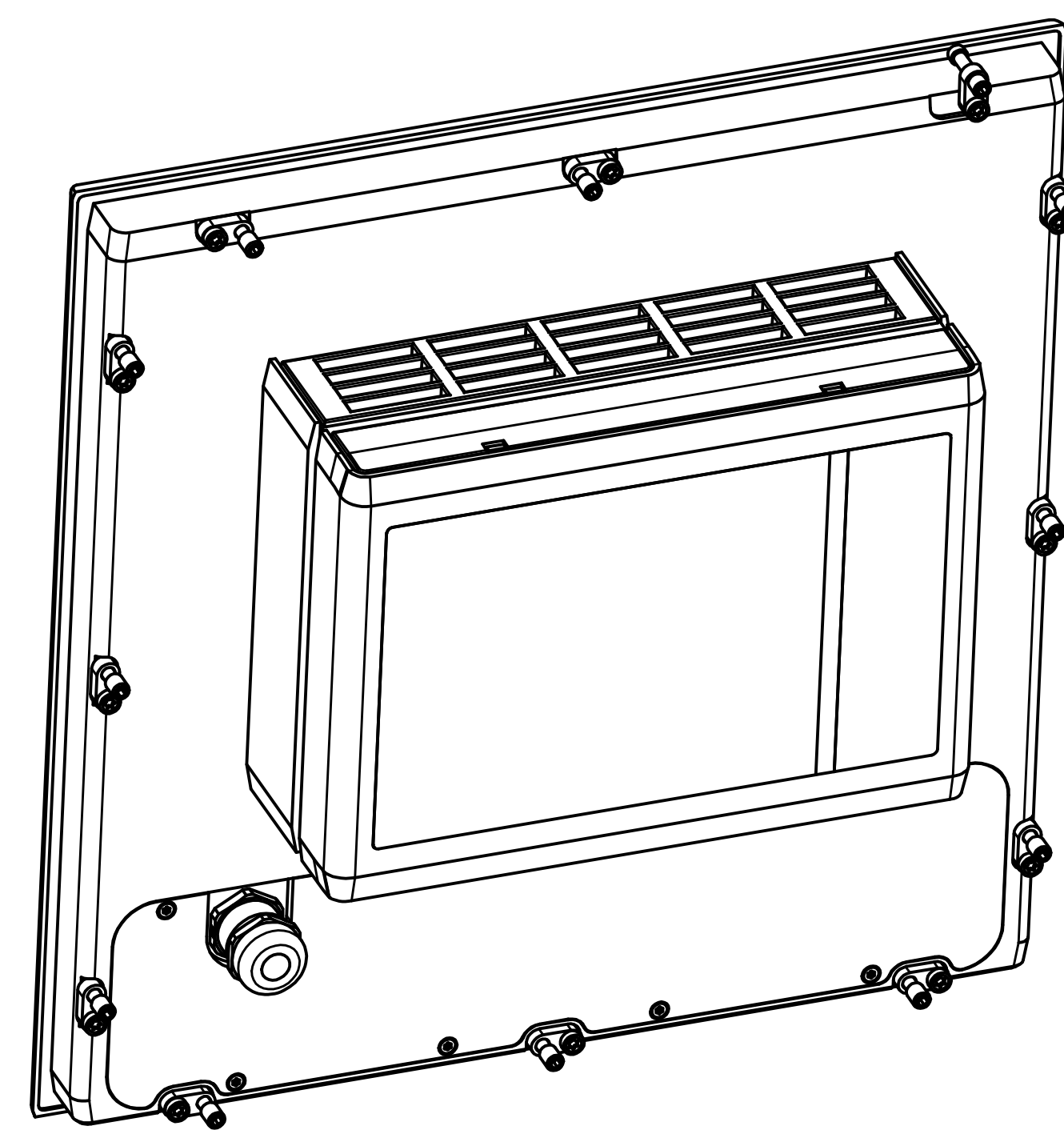
front view



left view



cut out dimensions: 348.6mm x 341.2mm
rear view



top view