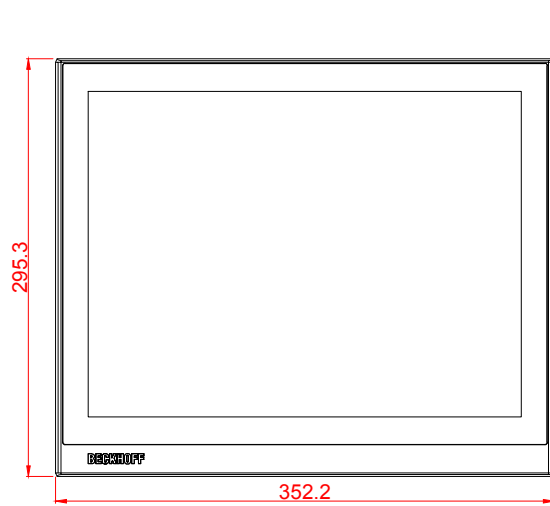
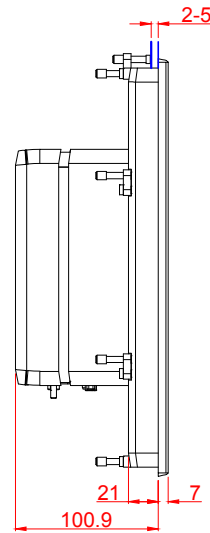


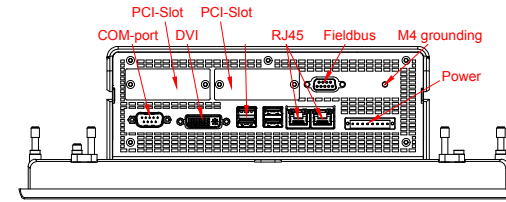
CP2215-0000  
main dimensions and  
fixing points  
dimensions in mm



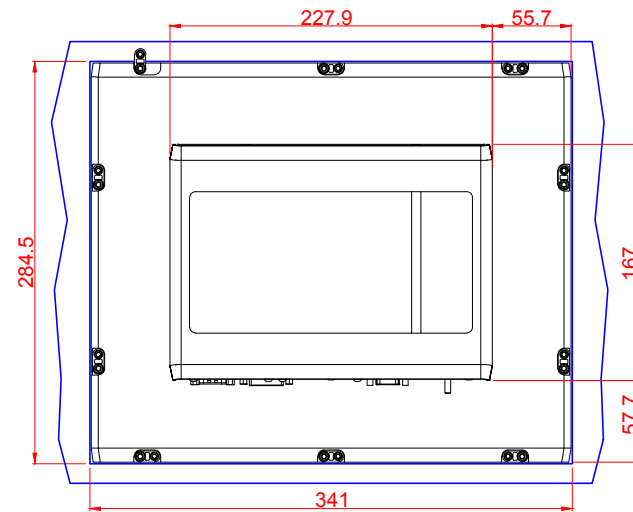
front view



left view

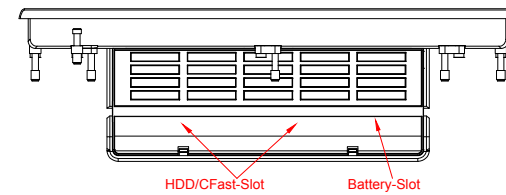


bottom view



cut out dimensions: 284.5mm x 341mm

rear view



top view