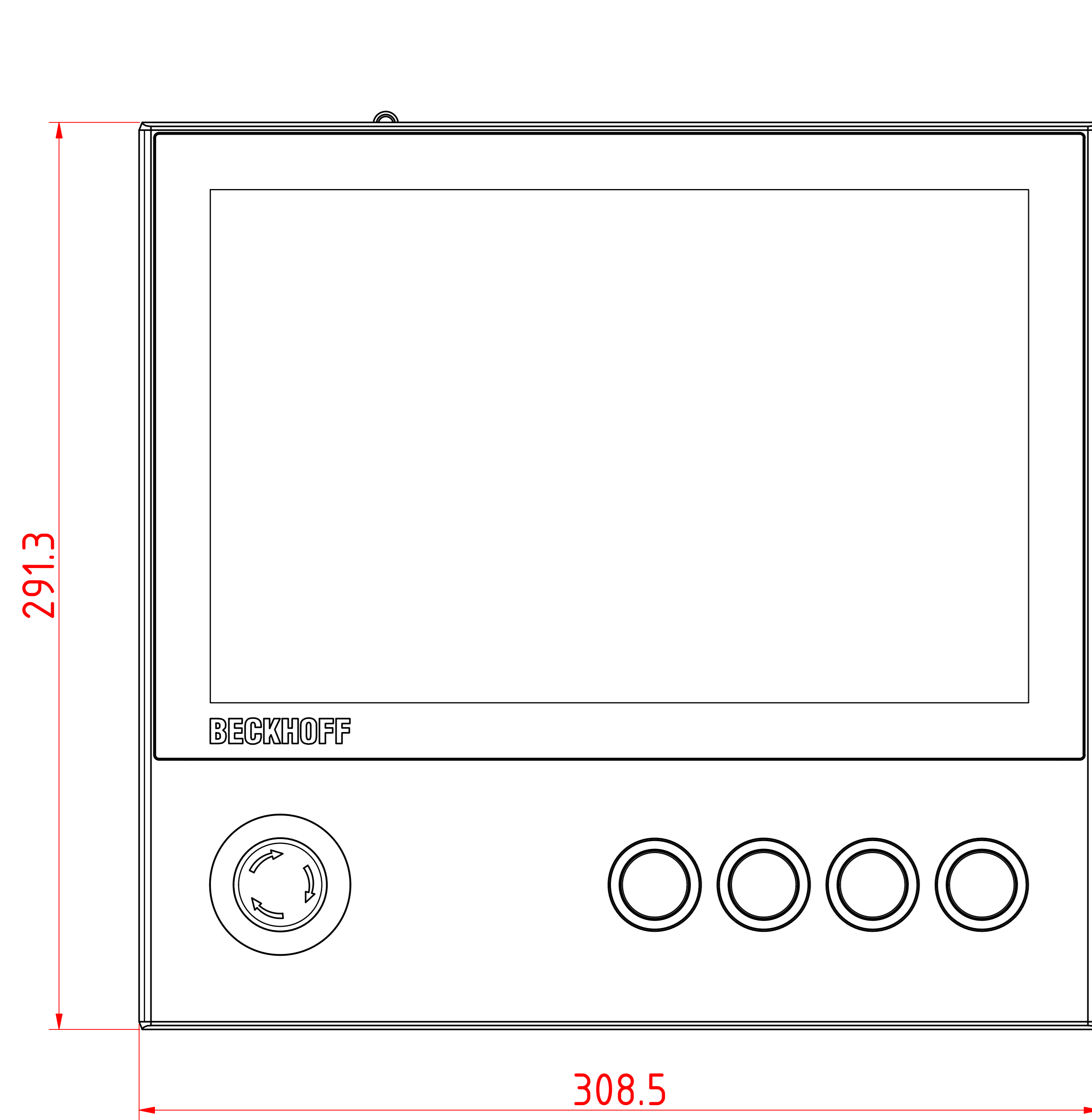
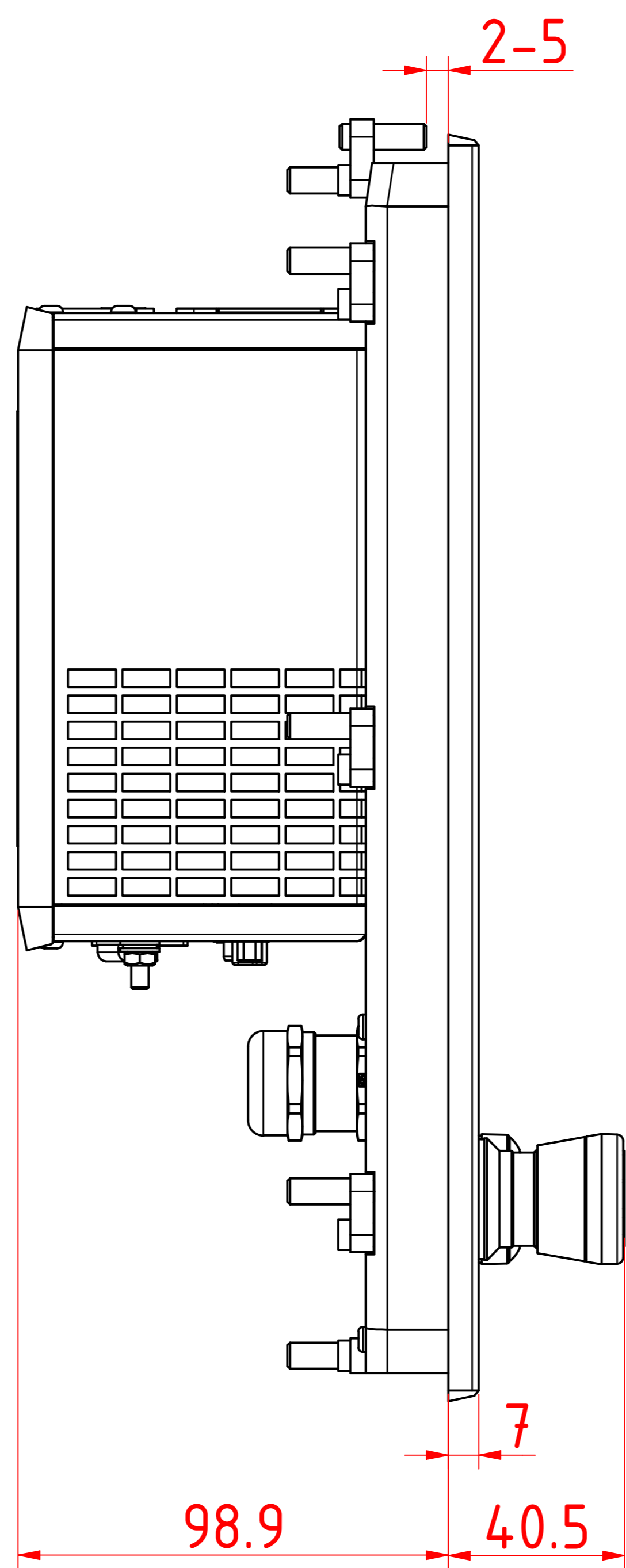
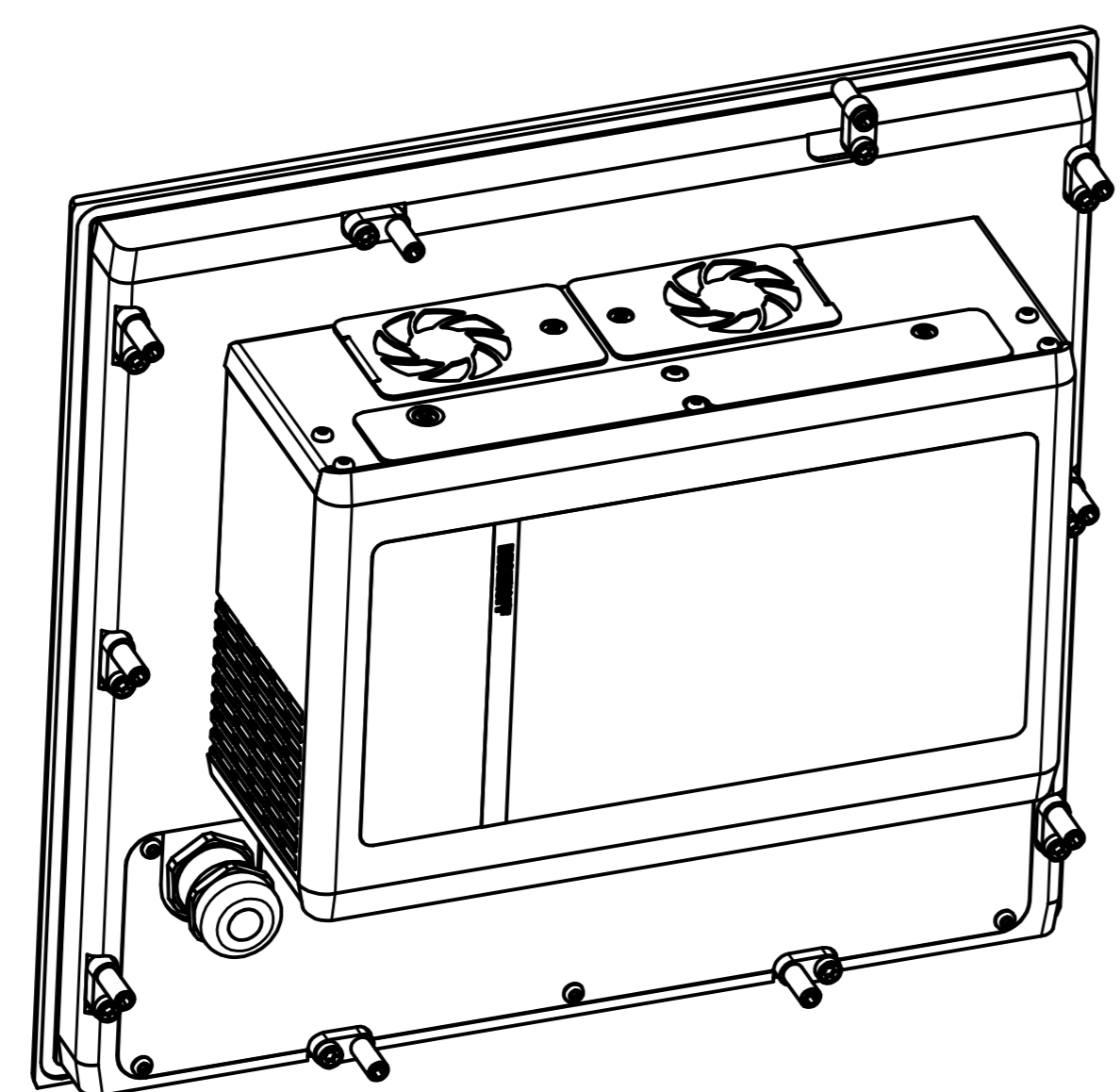


CP2213-G009-0010

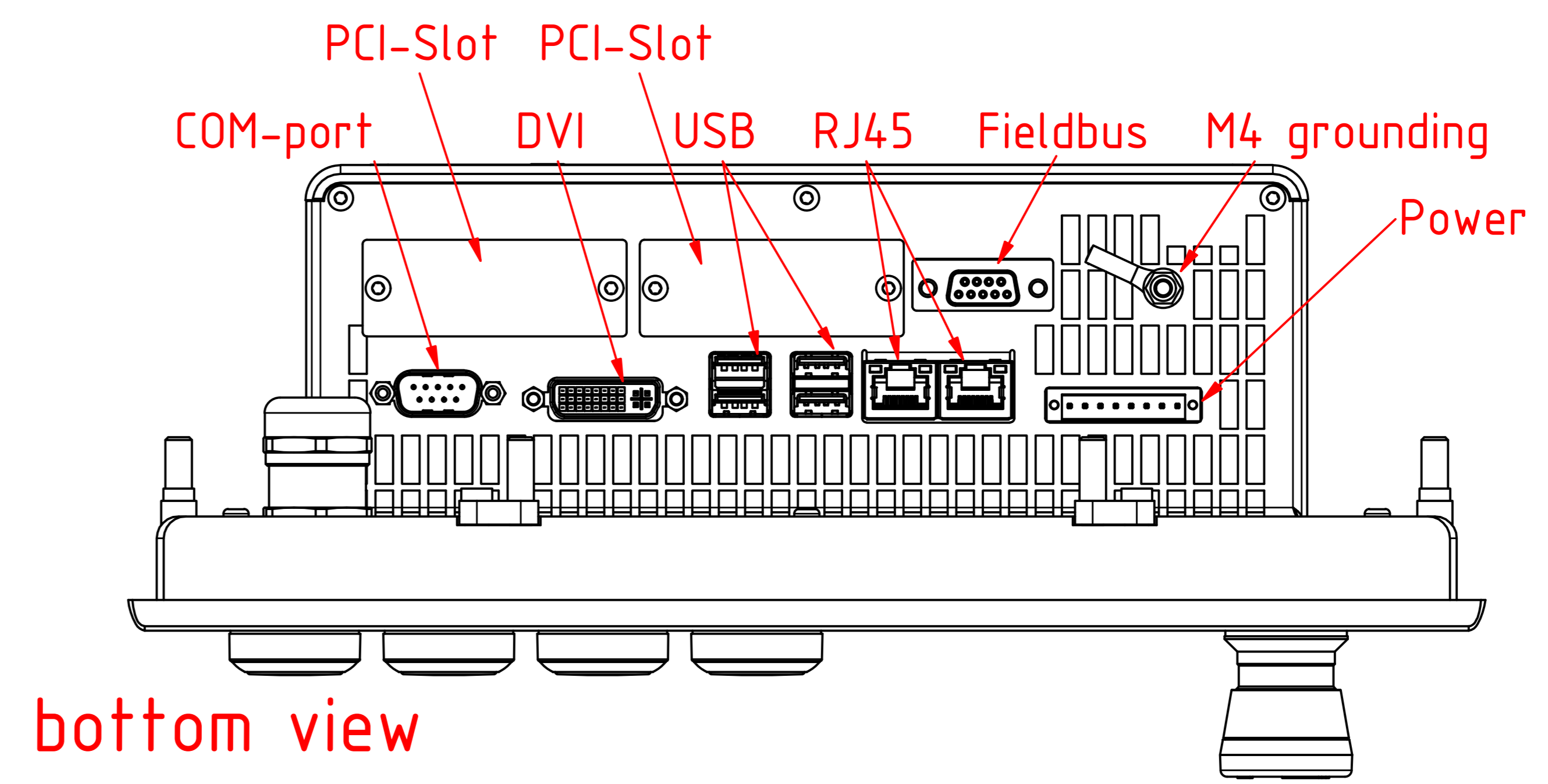
main dimensions and  
fixing points  
dimensions in mm



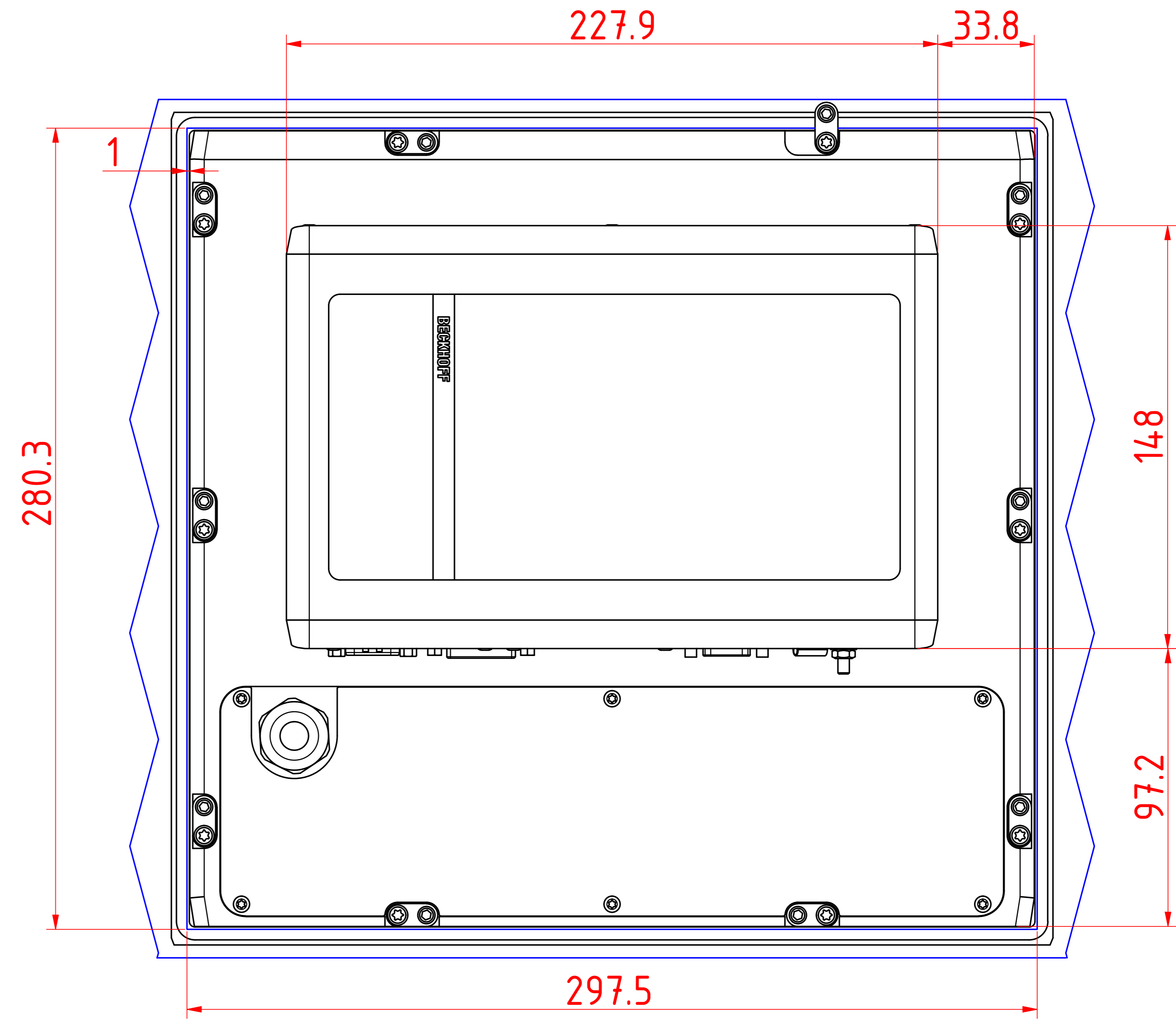
front view



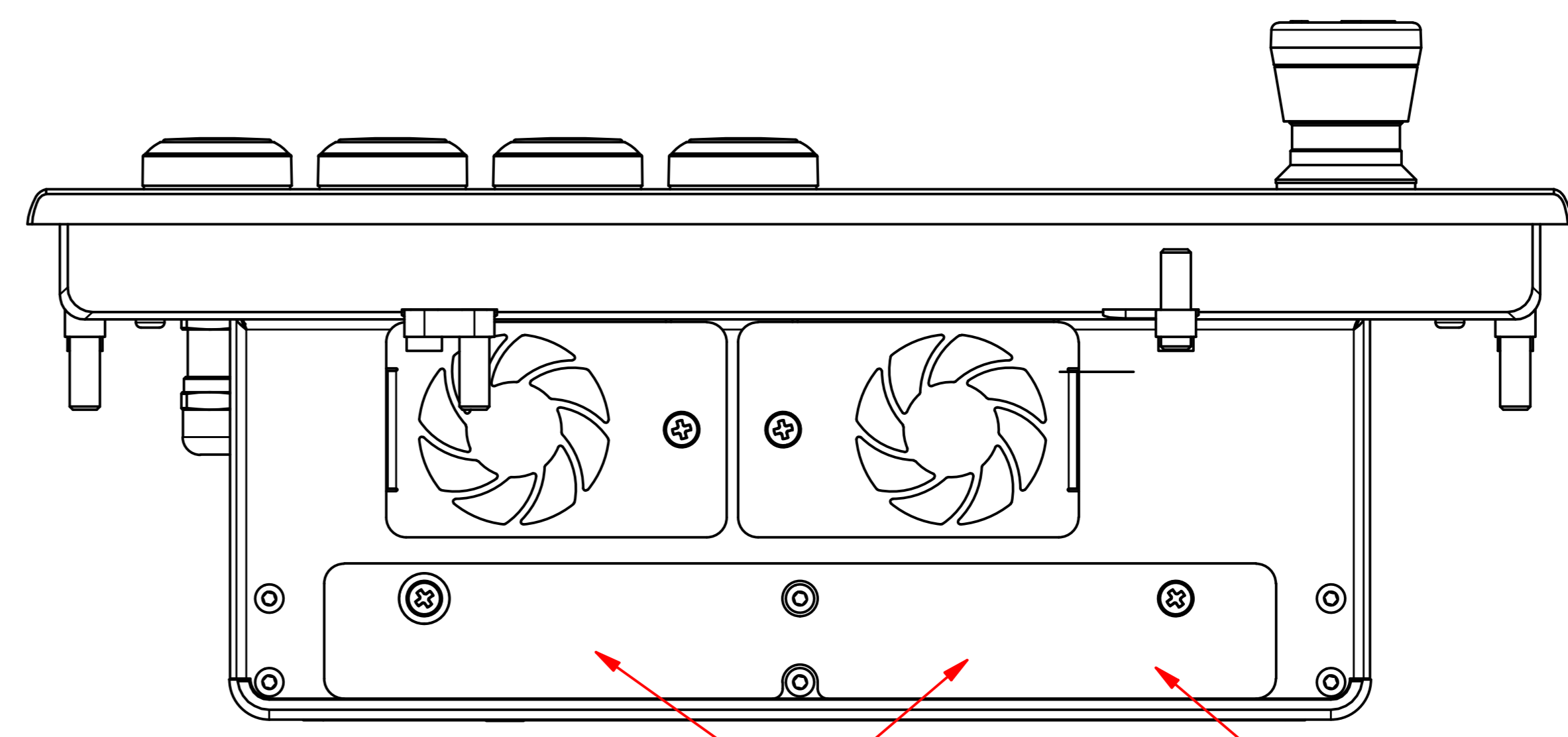
left view



bottom view



cut out dimensions: 280.3mm x 297,5mm  
rear view



top view

HDD-Slot/CFast-Slot Battery-Slot