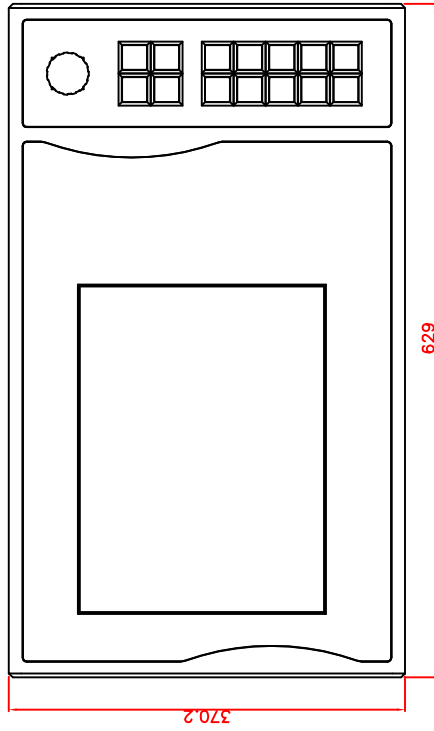
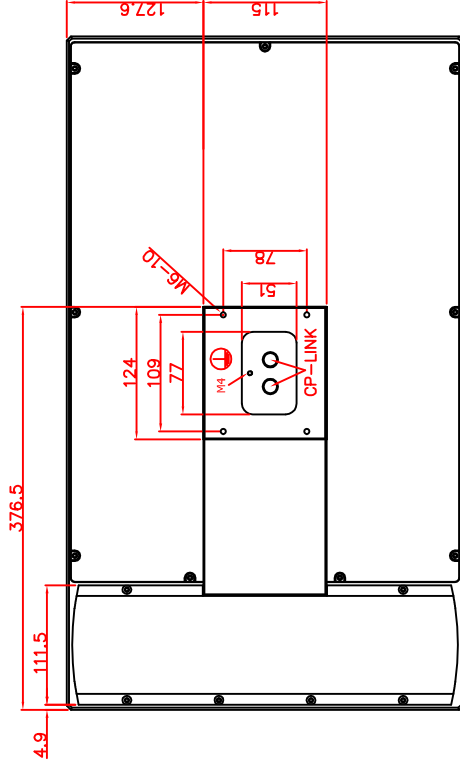


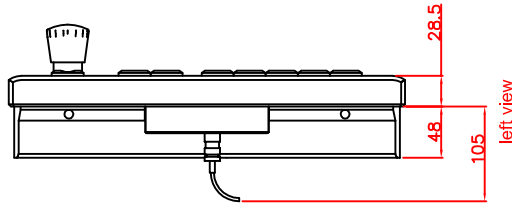
bottom view



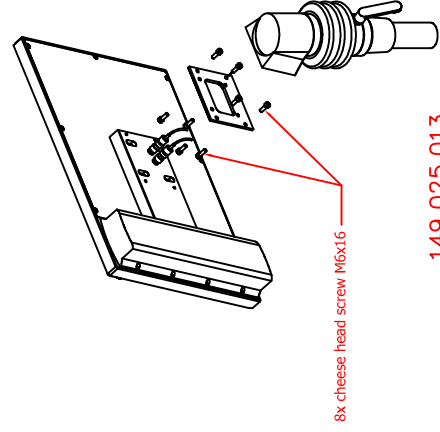
front view



rear view

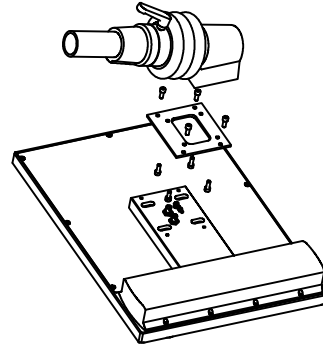


left view



8x cheese head screw M6x16

149.025.013



149.025.014

CP7022-0001-E668
arm adapter for
Rolec - Tara - suspension adaption
146.025.019

main dimensions and
fixing points

dimensions in mm