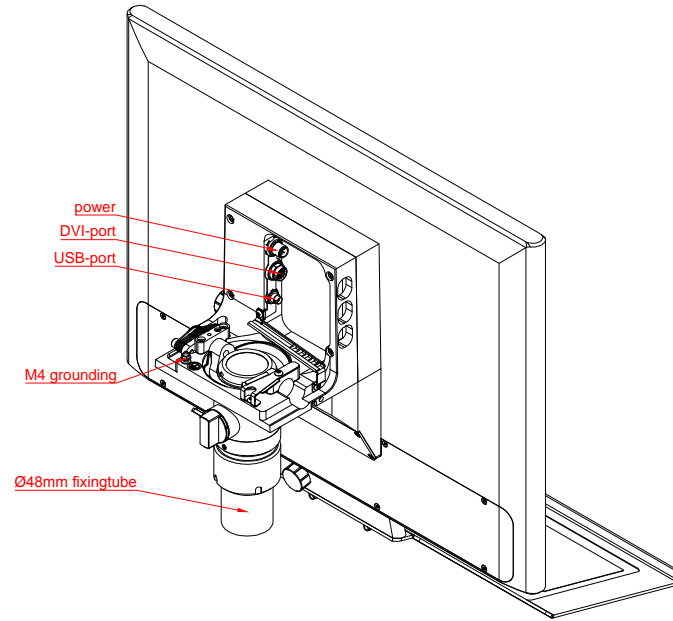
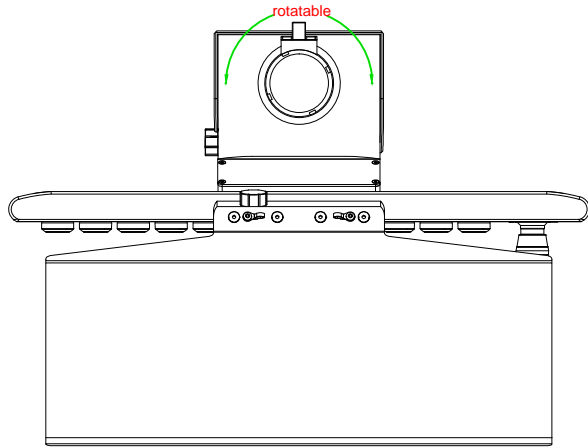


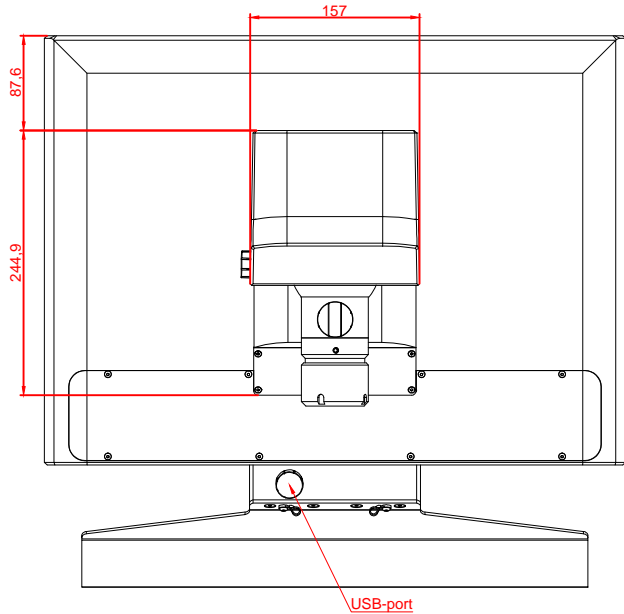
CP3921-G028-M753-E274-M406

main dimensions and
fixing points

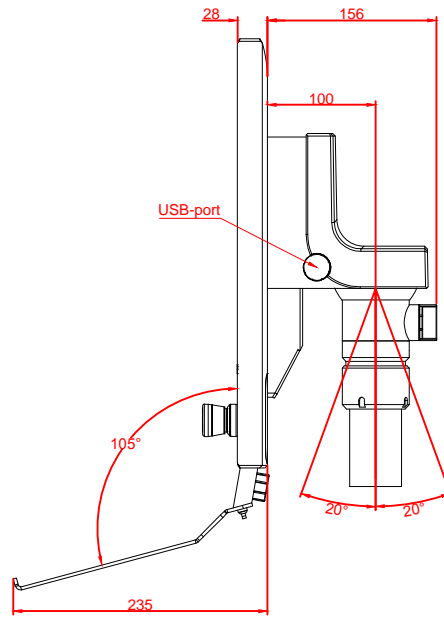
dimensions in mm



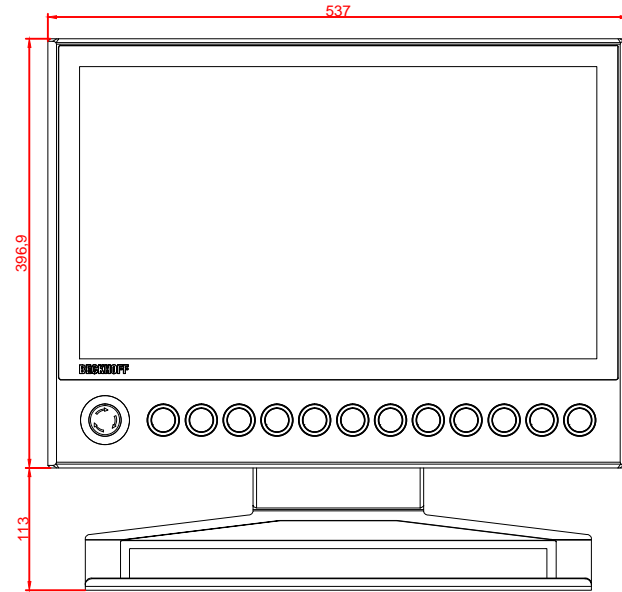
bottom view



rear view



left view



front view