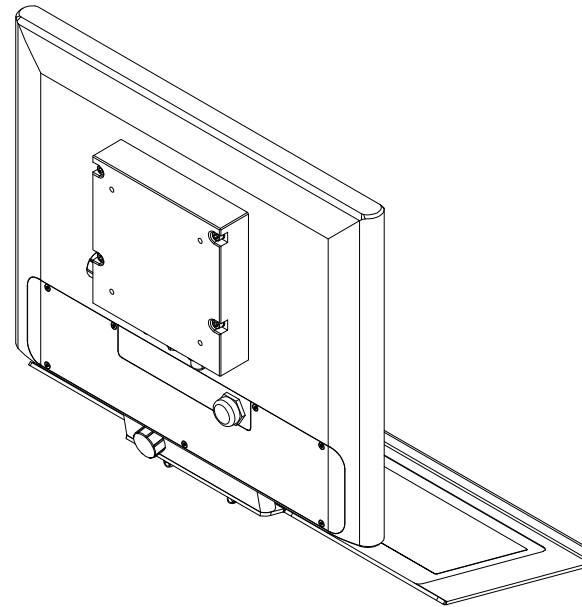
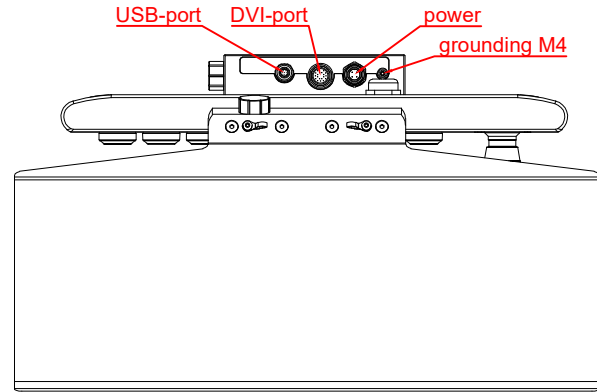


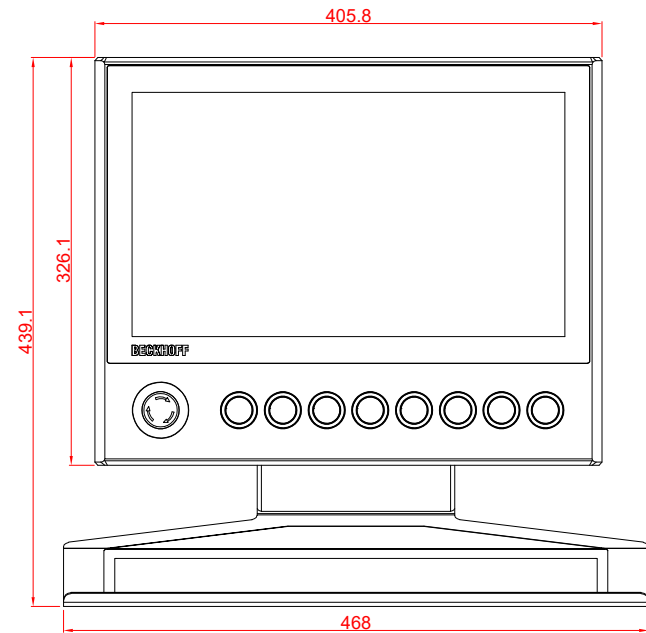
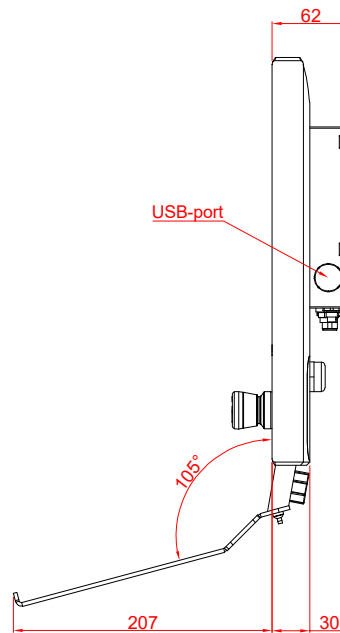
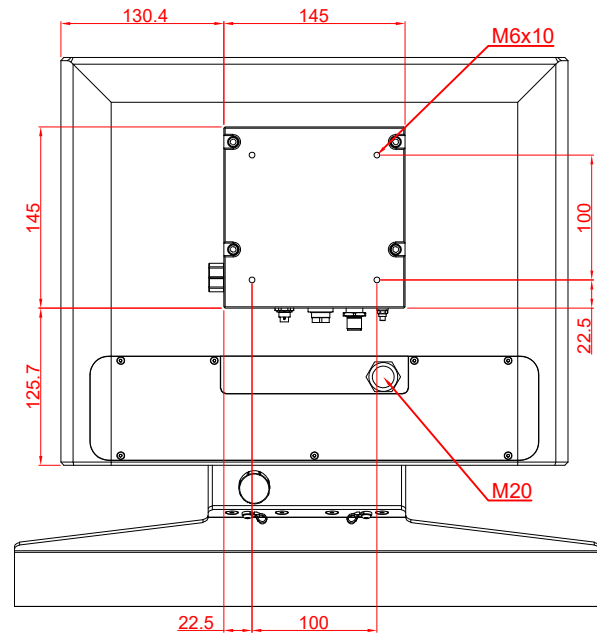
CP3916-G024-E274-M406

main dimensions and
fixing points

dimensions in mm



bottom view



rear view

side view

front view