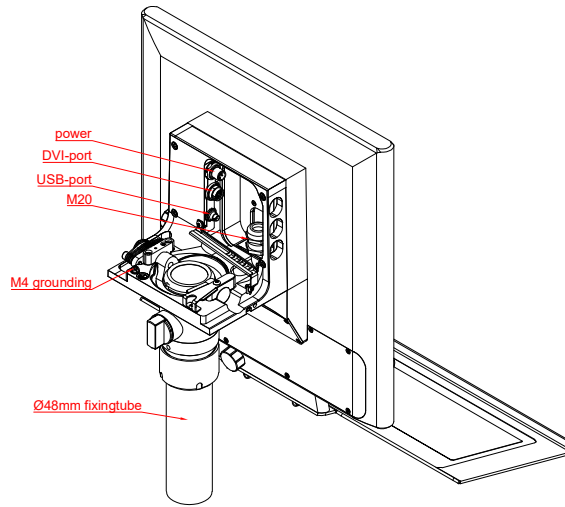


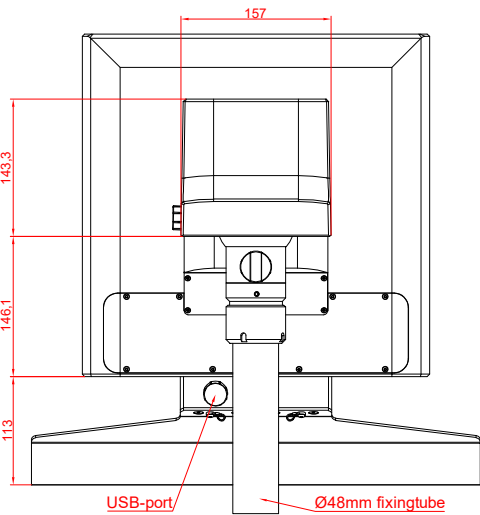
bottom view



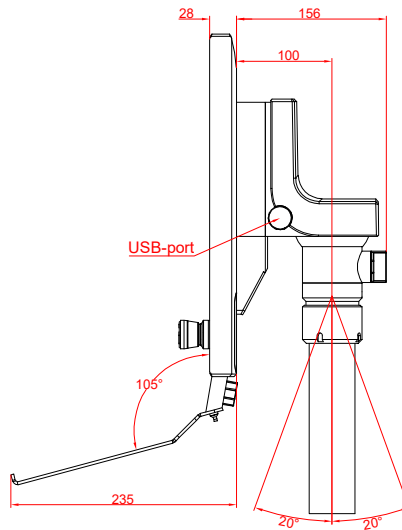
power  
DVI-port  
USB-port  
M20

M4 grounding

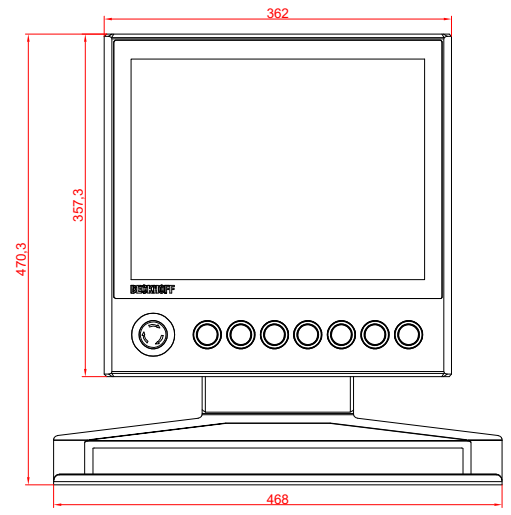
Ø48mm fixingtube



rear view



side view

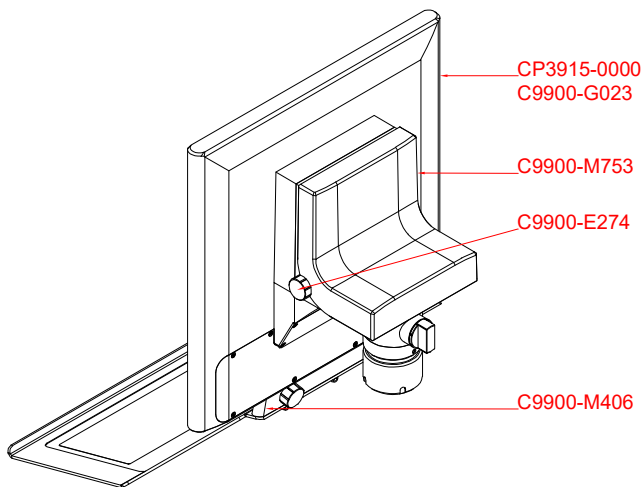


front view

CP3915-0000  
with  
C9900-G023  
C9900-M753  
C9900-E274  
C9900-M406

main dimensions and  
fixing points

dimensions in mm



CP3915-0000  
C9900-G023

C9900-M753

C9900-E274

C9900-M406