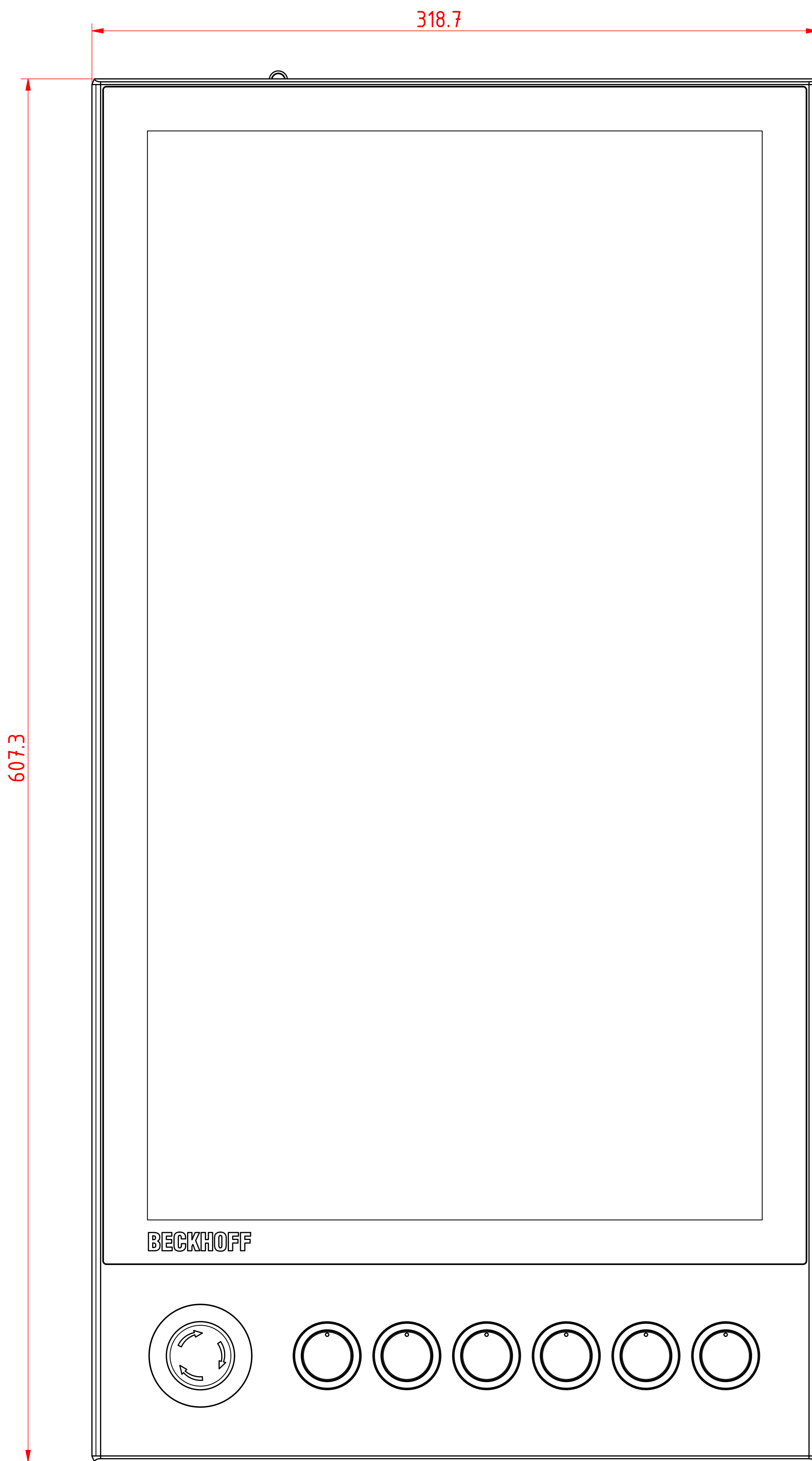


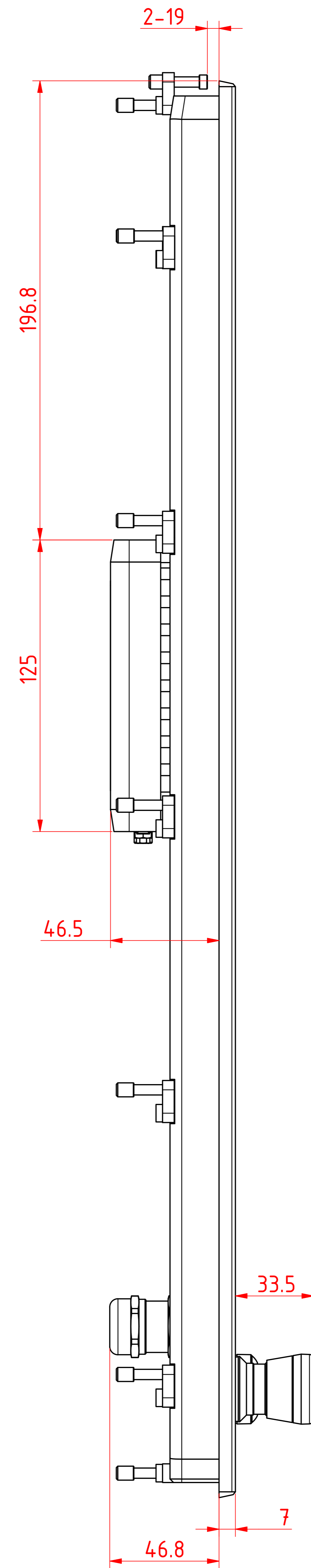
CP2921-G018 (M575)

main dimensions and
fixing points

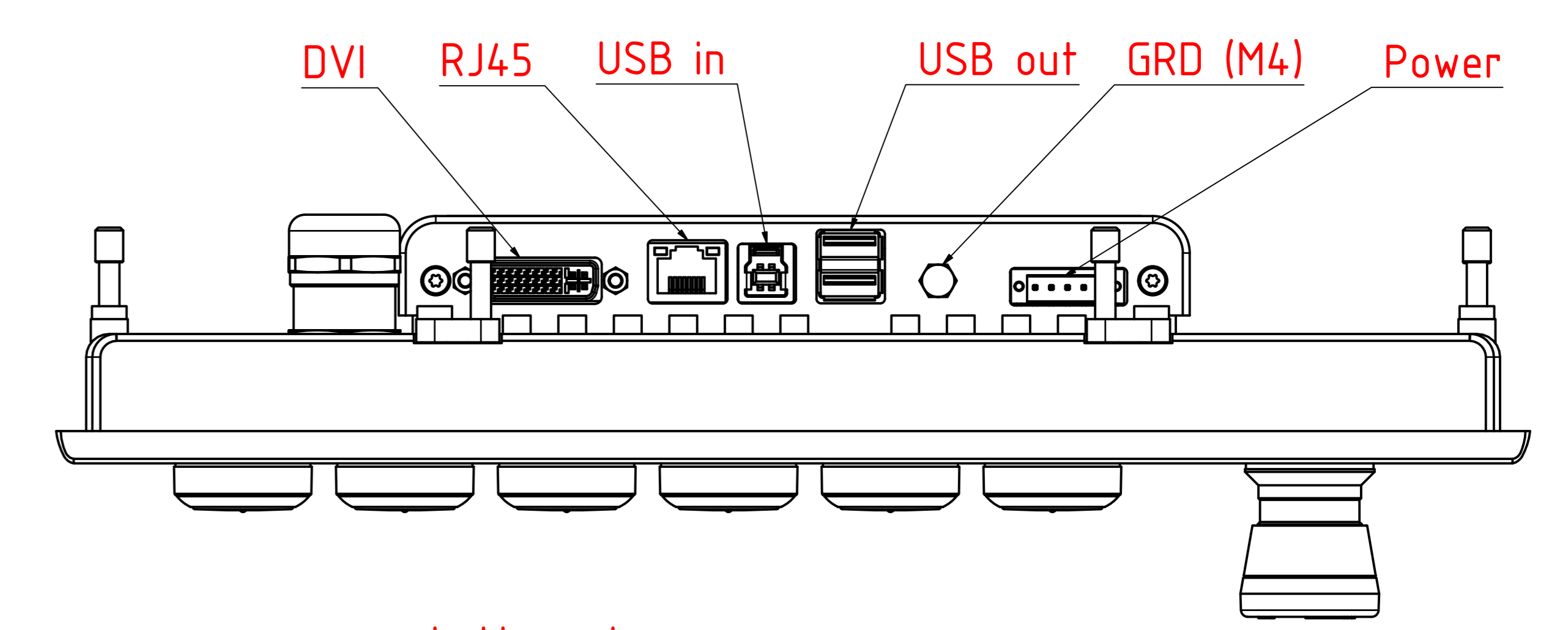
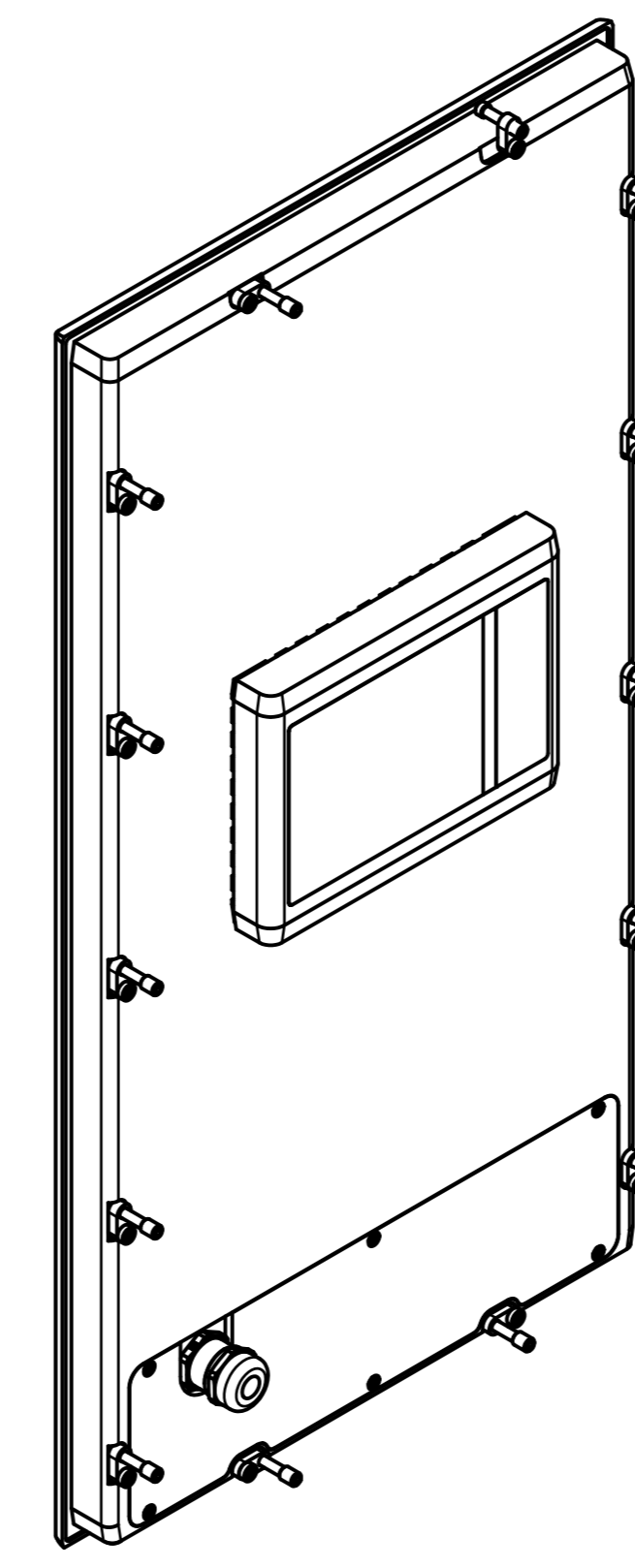
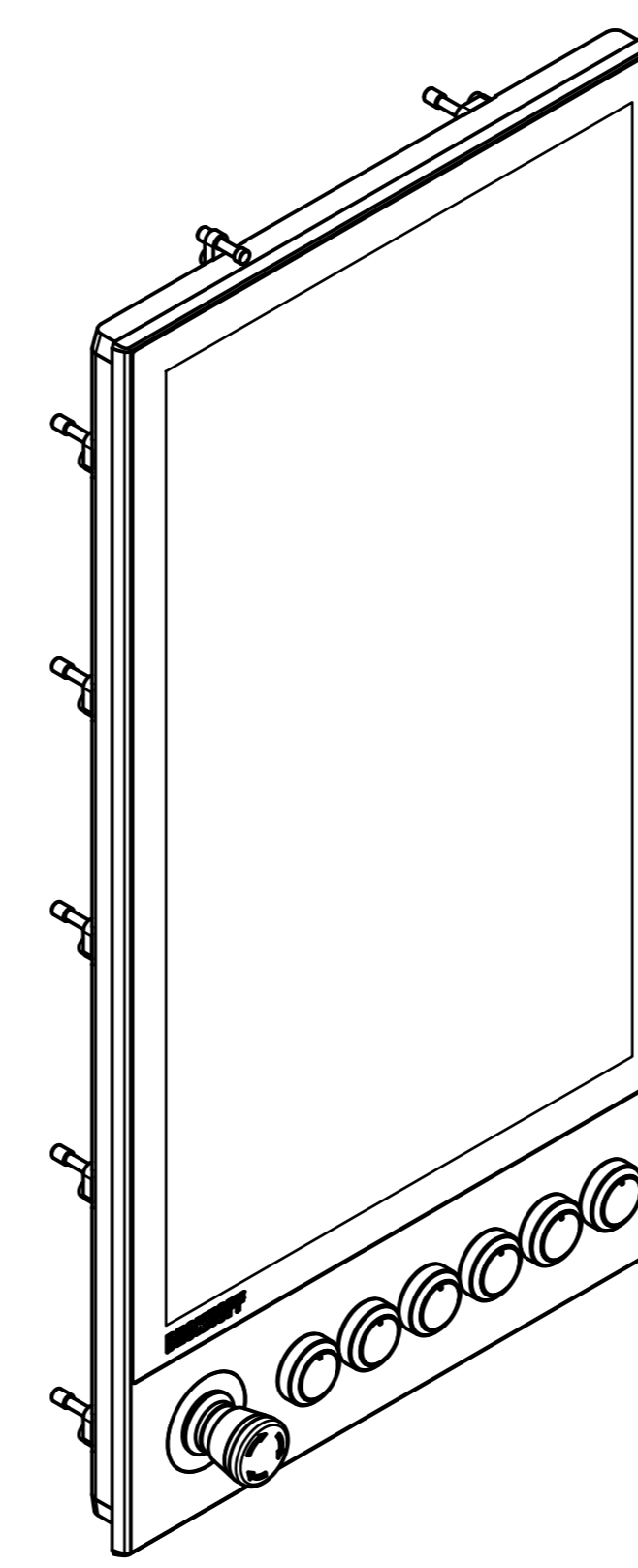
dimensions in mm



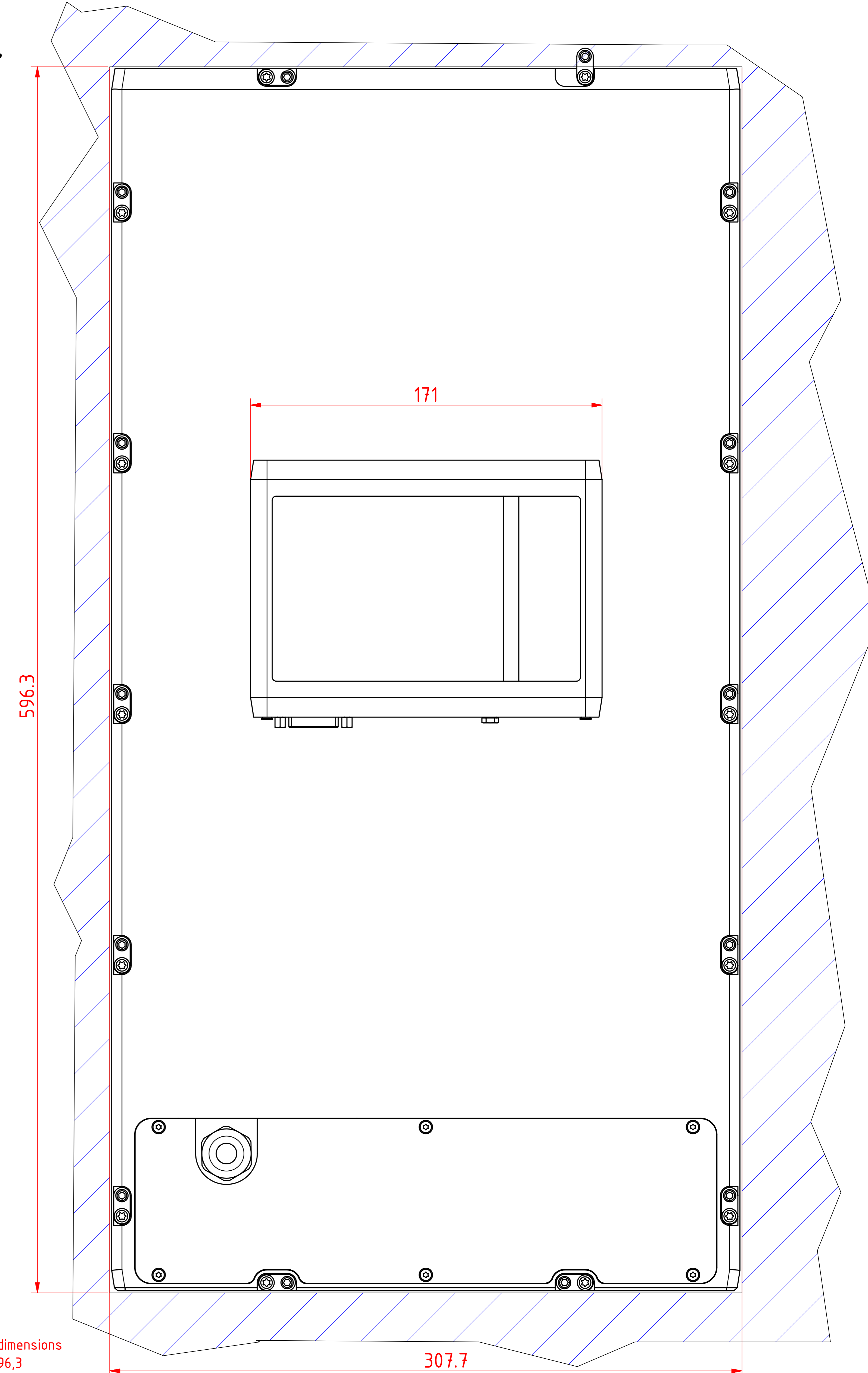
front view



left view



bottom view



cutout dimensions
307,7x596,3
rear view