

# ZS2020-2830 | Plug, field assembly, Power, IP67

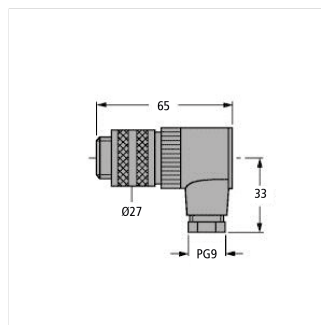
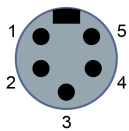
7/8"-16 UN, plug, angled, male, 5-pin, A-coded



| Electrical data            |   |
|----------------------------|---|
| Rated voltage              | 250 V (according to IEC 60664-1)  |
| Rated current              | 16 A at 40°C (according to IEC 60512-3), 1.5 mm <sup>2</sup> : 9 A (according to CSA22.2) |
| Rated impulse voltage      | 2.5 kV  |
| Shielding                  | no  |
| Contact resistance         | < 5 mΩ  |
| Insulation resistance      | ≥ 100 MΩ (according to IEC 60512)   |
| Mechanical data            |   |
| Installation size          | 7/8"-16 UN  |
| Connector type             | plug  |
| Configuration              | angled  |
| Contact type               | male  |
| Number of positions (face) | 5-pin   |
| Coding                     | A-coded   |
| Wire termination           | screw connection  |
| Mating cycles              | ≥ 50  |
| Way of locking             | screw   |

|                                 |   |
|---------------------------------|---|
| Body color                      | black   |
| Body material                   | CuZn, Ni  |
| Coupling nut material           | GD-Zn, Ni   |
| Contact carrier color           | black   |
| Contact carrier material        | PA, UL 94   |
| Contact plating                 | Au  |
| Contact material                | CuZn  |
| Max. wire cross-section         | AWG16 (1.5 mm <sup>2</sup> )                          |
| Max. cable outer diameter       | 6.0 - 8.0 mm  |
| <b>Environmental data</b>       |   |
| RoHS compliant                  | yes   |
| Ambient temperature (operation) | -25...+80°C, -13...+176°F                             |
| Protection rating               | IP65/67 in screwed condition (according to IEC 60529) |
| Pollution level                 | 3/2 (according to IEC 60664-1)                        |
| Approvals                       | UL  |

## Dimensions



|    |          |
|----|----------|
| A1 | 65.00 mm |
| A2 | 28.00 mm |

## Notes

- Illustrations similar

|                             |   |
|-----------------------------|---|
| <b>Ordering information</b> |   |
| ZS2020-2830                 | Plug field assembly, Power, IP67, 7/8", angled, male, 5-pin |



Products marked with a crossed-out wheeled bin shall not be discarded with the normal waste stream. The device is considered as waste electrical and electronic equipment. The national regulations for the disposal of waste electrical and electronic equipment must be observed.

Beckhoff®, TwinCAT®, TwinCAT/BSD®, TC/BSD®, EtherCAT®, EtherCAT G®, EtherCAT G10®, EtherCAT P®, Safety over EtherCAT®, TwinSAFE®, XFC®, XTS® and XPlanar® are registered trademarks of and licensed by Beckhoff Automation GmbH. Other designations used in this publication may be trademarks whose use by third parties for their own purposes could violate the rights of the owners.

© Beckhoff Automation GmbH & Co. KG 08/2024

The information provided in this brochure contains merely general descriptions or characteristics of performance which in case of actual application do not always apply as described or which may change as a result of further development of the products. An obligation to provide the respective characteristics shall only exist if expressly agreed in the terms of contract.