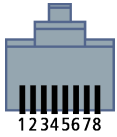
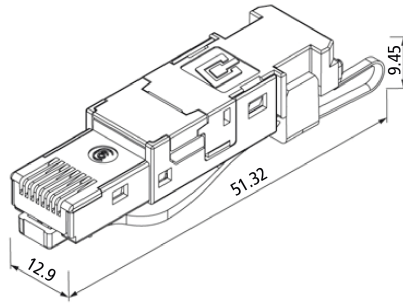


## ZS1090-0005 | Plug field assembly, RJ45, IP20

RJ45, plug, straight, male, 8-pin

Electrical data	
Rated current	1 A at 50 °C
Voltage proof (contact/contact)	≥ 1000 V DC
Voltage proof (contact/shield)	≥ 1500 V DC
Shielding	yes
Contact resistance	< 20 mΩ
Insulation resistance	≥ 500 MΩ
Mechanical data	
Installation size	RJ45
Connector type	plug
Configuration	straight
Contact type	male
Number of positions (face)	8-pin
Wire termination	IDC
Mating cycles	≥ 750
Weight per piece	0.018 kg
Body colour	metal
Body material	Zinc die-cast
Contact carrier colour	black
Contact carrier material	PA, UL 94
Contact material	phosphorus bronze
Contact plating	Au over Ni
Max. wire cross section	AWG26 / 0.14 mm <sup>2</sup> - AWG22 / 0.34mm <sup>2</sup>
Max. cable outer diameter	5.5 - 8.5 mm
Environmental data	
Special features	10 GBit/s capable, Catégorie 6A / Class EA according to ISO/IEC 11801 2010
UV resistance	acc. to IEC 60068-2-5
RoHS compliant	yes
Oil resistance	According to IEC 60811-2-1 respectively according to DIN VDE 0282 part 10
Ambient temperature, operation	-40...+70 °C, -40...+158 °F
Protection class	IP 20
Approvals	UL



A1	51.00 mm
A2	14.50 mm

## Notes

- Illustrations similar

Ordering information	
ZS1090-0005	Plug field assembly, RJ45, IP20, straight, male, 8-pin, AWG22...26, PU = 10 pieces, Ø 5.5...8.5 mm

Beckhoff®, TwinCAT®, EtherCAT®, EtherCAT P®, Safety over EtherCAT®, TwinSAFE®, XFC® and XTS® are registered trademarks of and licensed by Beckhoff Automation GmbH. Other designations used in this publication may be trademarks whose use by third parties for their own purposes could violate the rights of the owners.

© Beckhoff Automation GmbH & Co. KG 03/2019

The information provided in this brochure contains merely general descriptions or characteristics of performance which in case of actual application do not always apply as described or which may change as a result of further development of the products. An obligation to provide the respective characteristics shall only exist if expressly agreed in the terms of contract.