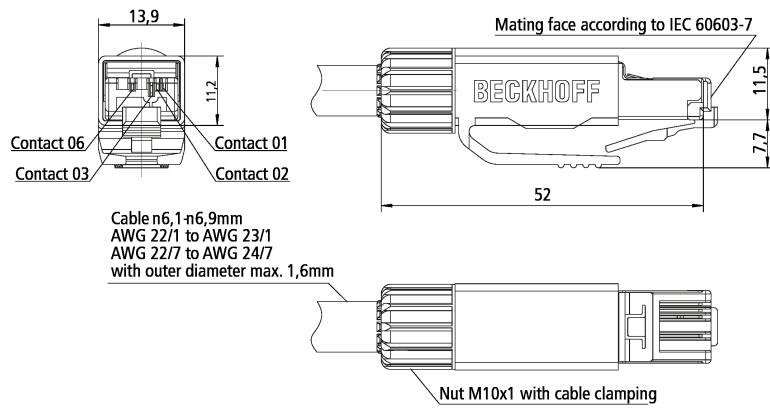


ZS1090-0003 | RJ45 plug field assembly, IP 20, shielded

RJ45, plug, straight, male, 4-pin

Electrical data	
Rated voltage	160 V (according to IEC 61076-2-101)
Rated current	1.5 A
Rated impulse voltage	1.0 kV
Shielding	yes
Insulation resistance	≥ 100 MΩ (according to IEC 60512)
Mechanical data	
Installation size	RJ45
Connector type	plug
Configuration	straight
Contact type	male
Number of positions (face)	4-pin
Wire termination	IDC
Mating cycles	≥ 750
Weight per piece	0.013 kg (0.0087 lb)
Body colour	black
Body material	PA UL 94 V0
Contact carrier colour	black
Contact carrier material	PC UL 94 V-0
Contact plating	Au
Contact material	CuZn
Max. wire cross section	AWG24 ... AWG22 (0,25mm ² ... 0.34mm ²)
Max. cable outer diameter	4.5...9.0 mm
Environmental data	
Special features	Categorie 5 / class D up to 100 MHz according to ISO / IEC 11 801:2002, EN 50 173-1
RoHS compliant	yes
Ambient temperature (operation)	-40...+70 °C, -40...+158 °F
Protection class	IP 20
Approvals	UL



A1	52.00 mm
----	----------

Notes

- Illustrations similar

Ordering information

ZS1090-0003	plug, field assembly, RJ45, IP 20, straight, male, 4-pin, AWG22...24, PU = 10 pieces, Ø 4,5 - 9,0 mm, shielded
-------------	--

Beckhoff®, TwinCAT®, EtherCAT®, EtherCAT G®, EtherCAT G10®, EtherCAT P®, Safety over EtherCAT®, TwinSAFE®, XFC®, XTS® and XPlanar® are registered trademarks of and licensed by Beckhoff Automation GmbH. Other designations used in this publication may be trademarks whose use by third parties for their own purposes could violate the rights of the owners.

© Beckhoff Automation GmbH & Co. KG 03/2020

The information provided in this brochure contains merely general descriptions or characteristics of performance which in case of actual application do not always apply as described or which may change as a result of further development of the products. An obligation to provide the respective characteristics shall only exist if expressly agreed in the terms of contract.