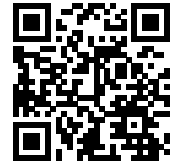


ZS1052-2600 | Plug Y splitter CANopen/DeviceNet, IP67



M12, Y splitter, straight, male+female, 5-pin, A-coded

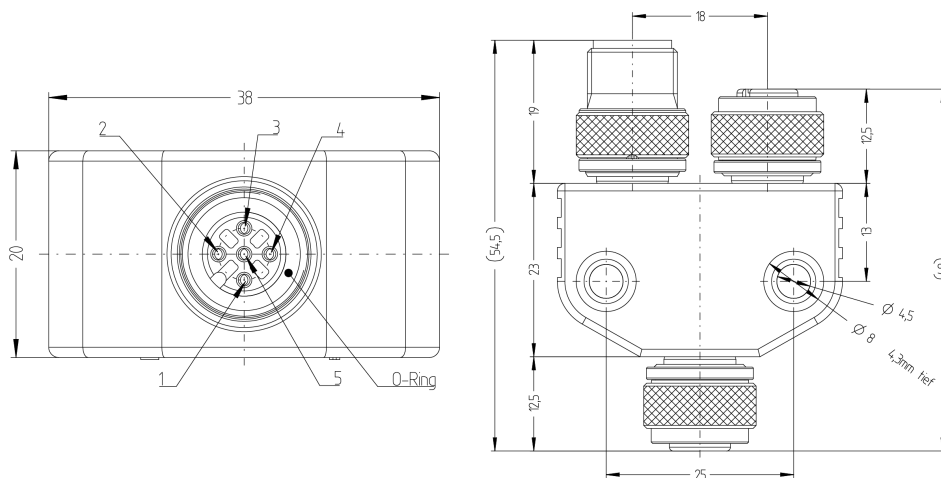


Electrical data	
Rated voltage	60 V (according to IEC 61076-2-101)
Rated current	4 A at 40 °C (according to IEC 61076-2-101)
Insulation resistance	≥ 100 MΩ (according to IEC 60512)
Insulation group	II
Mechanical data	
Installation size	M12
Connector type	Y splitter
Configuration	straight
Contact type	male+female
Number of positions (face)	5-pin
Coding	A-coded
Recommended torque, nut	0.6 Nm
Way of locking	screw
Environmental data	
Ambient temperature (operation)	-30...+90 °C, -22...+194 °F
Protection rating	IP65/67 in screwed condition (according to IEC 60529)

Pollution level

3

Dimensions



Notes

- Illustrations similar

Ordering information

ZS1052-2600

Plug Y splitter CANopen/DeviceNet, IP67, M12, male+female, 5-pin, A-coded



Products marked with a crossed-out wheeled bin shall not be discarded with the normal waste stream. The device is considered as waste electrical and electronic equipment. The national regulations for the disposal of waste electrical and electronic equipment must be observed.

Beckhoff®, TwinCAT®, TwinCAT/BSD®, TC/BSD®, EtherCAT®, EtherCAT G®, EtherCAT G10®, EtherCAT P®, Safety over EtherCAT®, TwinSAFE®, XFC®, XTS® and XPlanar® are registered trademarks of and licensed by Beckhoff Automation GmbH. Other designations used in this publication may be trademarks whose use by third parties for their own purposes could violate the rights of the owners.

© Beckhoff Automation GmbH & Co. KG 06/2023

The information provided in this brochure contains merely general descriptions or characteristics of performance which in case of actual application do not always apply as described or which may change as a result of further development of the products. An obligation to provide the respective characteristics shall only exist if expressly agreed in the terms of contract.