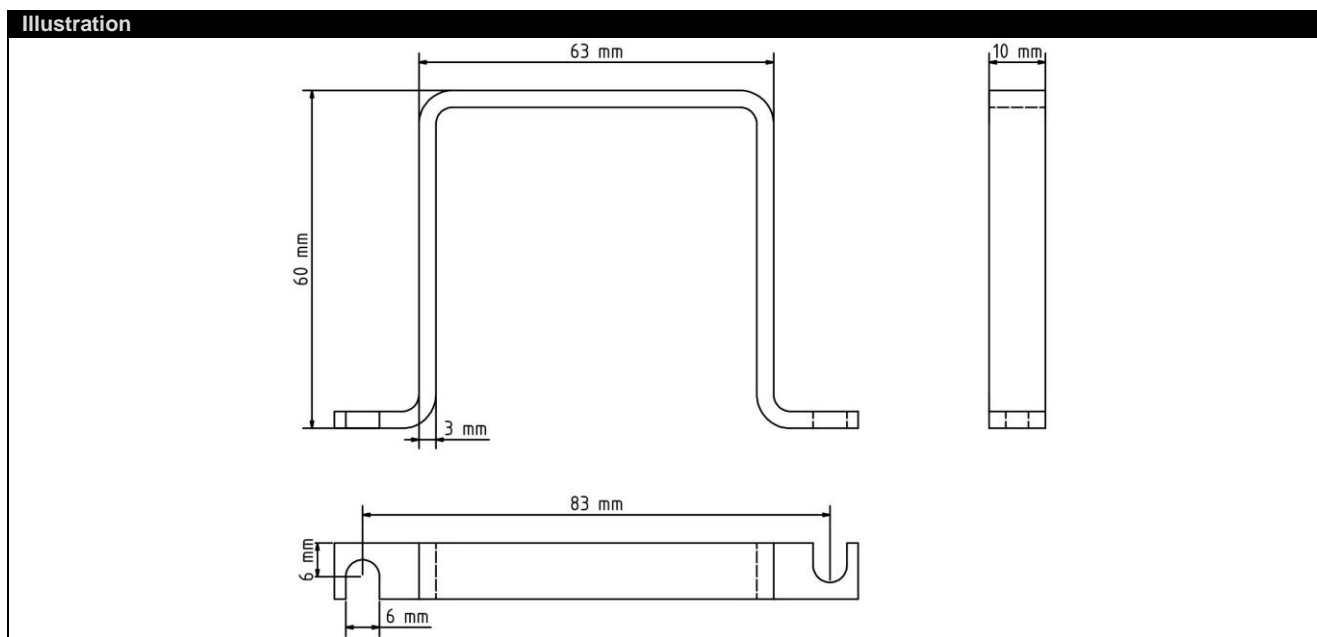


ZB8511 | Shield busbar clamp 10 x 3 mm for 5 Bus Terminals/EtherCAT Terminals 12 mm

Material	Copper, tin plated
Weight	Ca. 50 g
Conformity	RoHS



Ordering information	Description
ZB8511	Shield busbar clamp 10 x 3 mm for 5 Bus Terminals/EtherCAT Terminals 12 mm, packing unit = 10 pieces