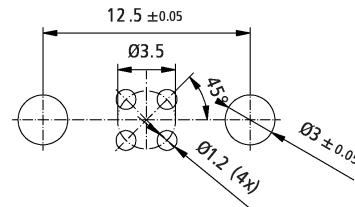
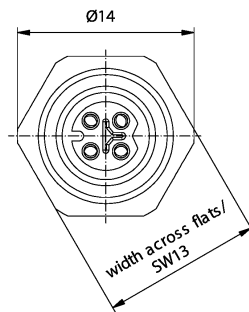
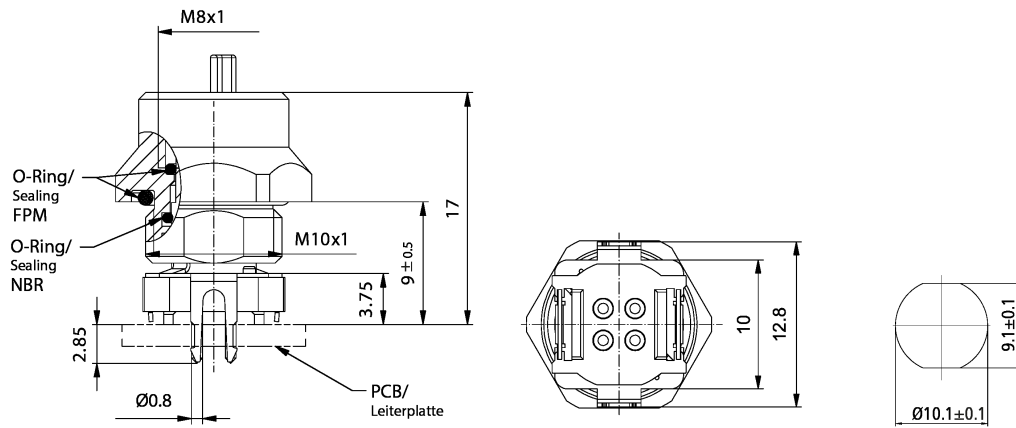


## ZS7002-0007 | Flange rear assembly, EtherCAT P, print contact, 9.0 mm, with counter nut, 2-pieces: separate contact carrier and housing, shielded

M8, flange rear assembly, straight, female, 4-pin, P-coded

| Electrical data                 |                                                        |
|---------------------------------|--------------------------------------------------------|
| Rated voltage                   | 24 V DC (according to IEC 61076-2-104)                 |
| Rated current                   | 3 A at 40 °C (according to IEC 61076-2-104)            |
| Shielding                       | yes                                                    |
| Insulation resistance           | ≥ 100 MΩ (according to IEC 60512)                      |
| Mechanical data                 |                                                        |
| Installation size               | M8                                                     |
| Connector type                  | flange rear assembly                                   |
| Configuration                   | straight                                               |
| Contact type                    | female                                                 |
| Number of positions (face)      | 4-pin                                                  |
| Coding                          | P-coded                                                |
| Recommended torque, nut         | 0.4 Nm                                                 |
| Mating cycles                   | ≥ 100                                                  |
| Way of locking                  | screw                                                  |
| Body material                   | CuZn, Ni                                               |
| Lock nut material               | CuZn, Ni                                               |
| Seal                            | NBR                                                    |
| Contact carrier colour          | red                                                    |
| Contact carrier material        | PA, UL 94                                              |
| Contact plating                 | Ni, Au gal.                                            |
| Contact material                | CuZn                                                   |
| Environmental data              |                                                        |
| Special features                | 2-pieces: separate contact carrier and housing         |
| UV resistance                   | yes                                                    |
| RoHS compliant                  | yes                                                    |
| Ambient temperature (operation) | -40...+85 °C, -40...+185 °F                            |
| Protection class                | IP 65/67 in screwed condition (according to IEC 60529) |
| Pollution level                 | 3/2 (according to IEC 60664-1)                         |

## Dimensions



A1

17.00 mm

## Notes

- Illustrations similar

### Ordering information

ZS7002-0007

EtherCAT P flange, M8, female, straight, 4-pin, rear assembly, print contact, IP 67, P-coded, 9.0 mm, shielded

Beckhoff®, TwinCAT®, EtherCAT®, EtherCAT G®, EtherCAT G10®, EtherCAT P®, Safety over EtherCAT®, TwinSAFE®, XFC®, XTS® and XPlanar® are registered trademarks of and licensed by Beckhoff Automation GmbH. Other designations used in this publication may be trademarks whose use by third parties for their own purposes could violate the rights of the owners.

© Beckhoff Automation GmbH & Co. KG 02/2021

The information provided in this brochure contains merely general descriptions or characteristics of performance which in case of actual application do not always apply as described or which may change as a result of further development of the products. An obligation to provide the respective characteristics shall only exist if expressly agreed in the terms of contract.