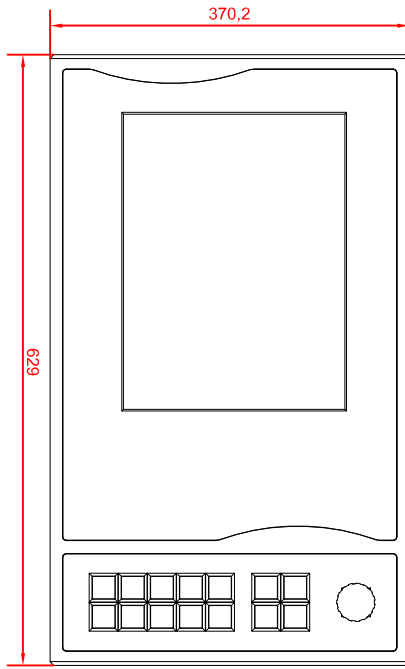
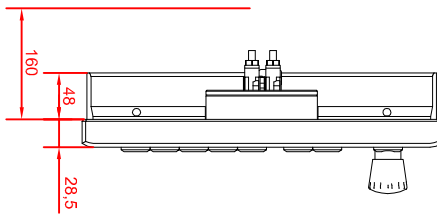


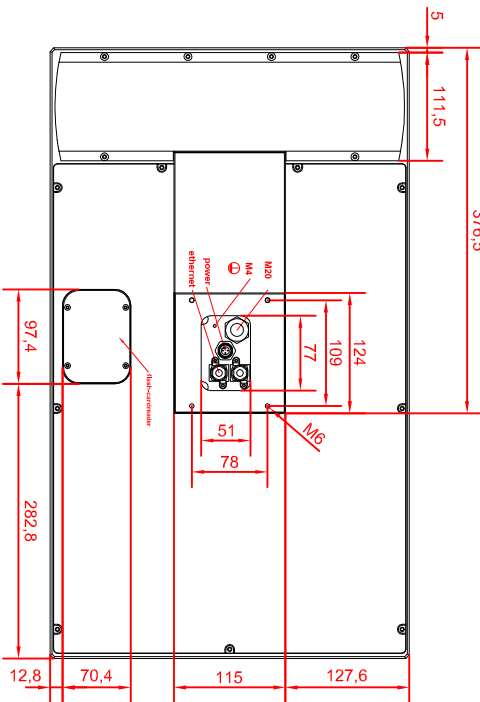
bottom view



front view



left view

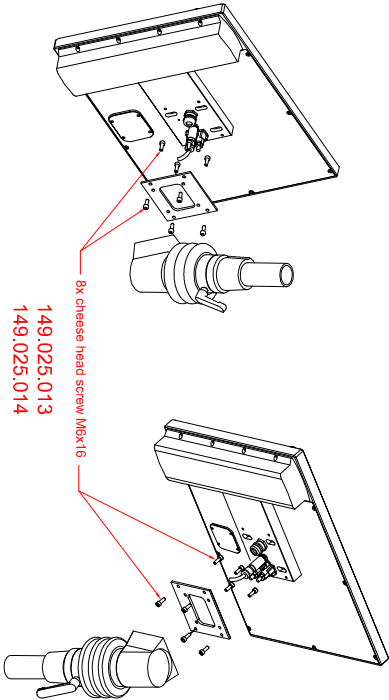


rear view

CP7722-0000-E868
 arm adapter for
 Rolac - Tara
 146.025.019

main dimensions and
 fixing points

dimensions in mm



8x cheese head screw M6x16
 149.025.013
 149.025.014