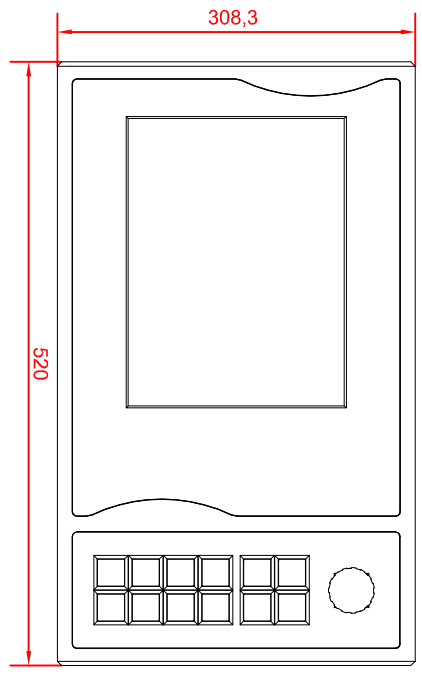
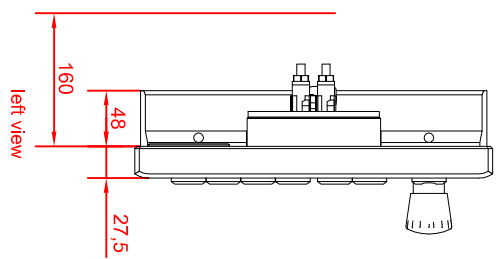


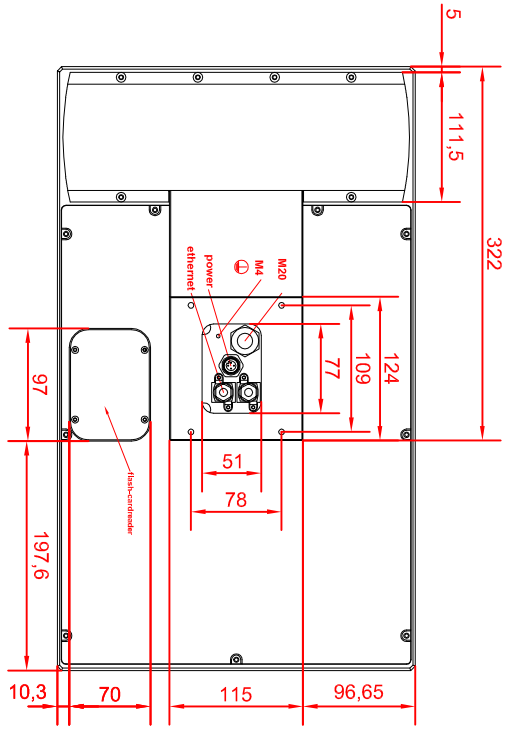
bottom view



front view



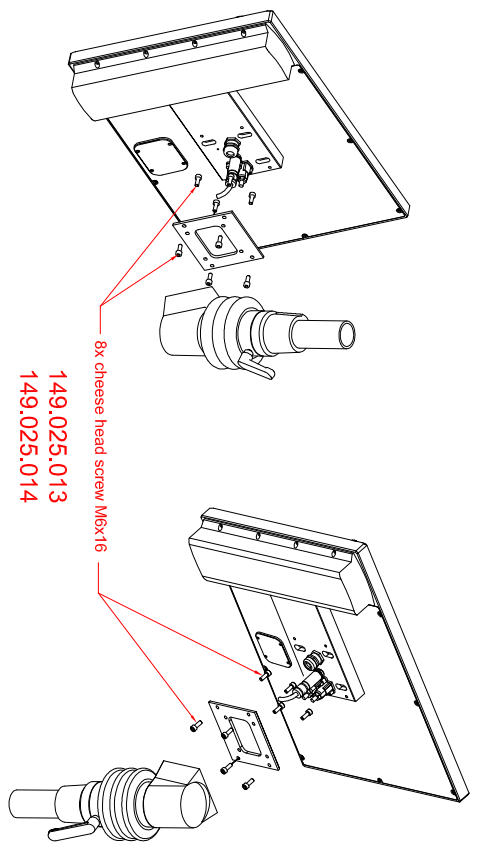
left view



rear view

CP7721-0000-E808
 arm adapter for
 Rolec - Tara - suspension adaption
 149.025.013

main dimensions and
 fixing points
 dimensions in mm



149.025.013
 149.025.014

8x cheese head screw M6x16