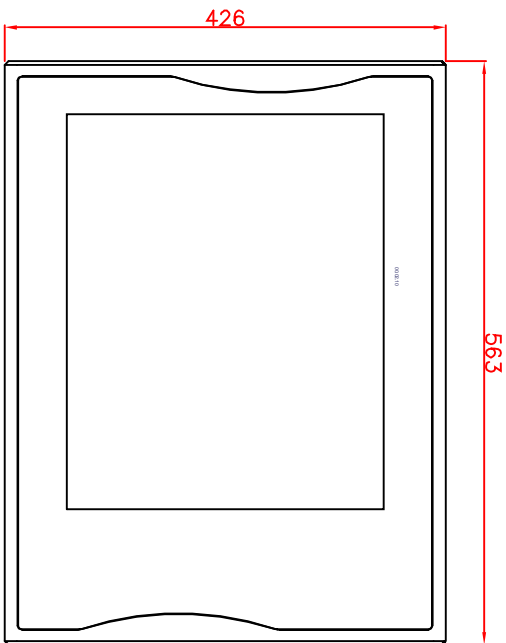
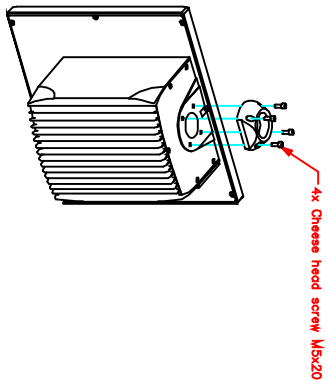
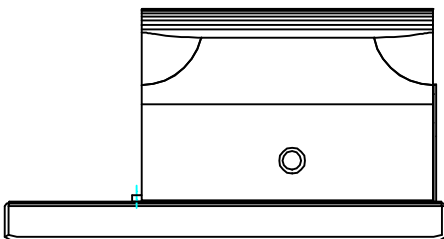


CP7123-0000-M152  
mounting arm adapter  
for Roltec Tara-48-60  
146.025.016

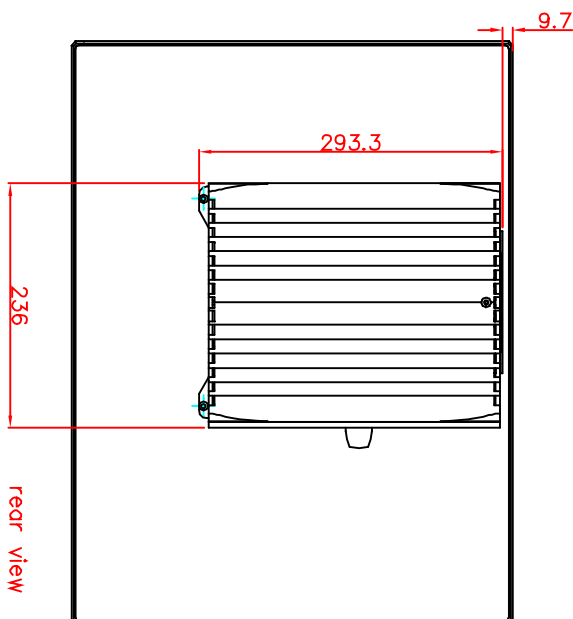
main dimensions and fixing  
points  
dimensions in mm



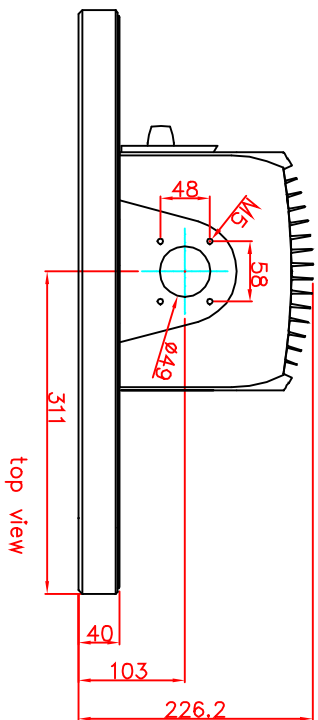
front view



right view



rear view



top view