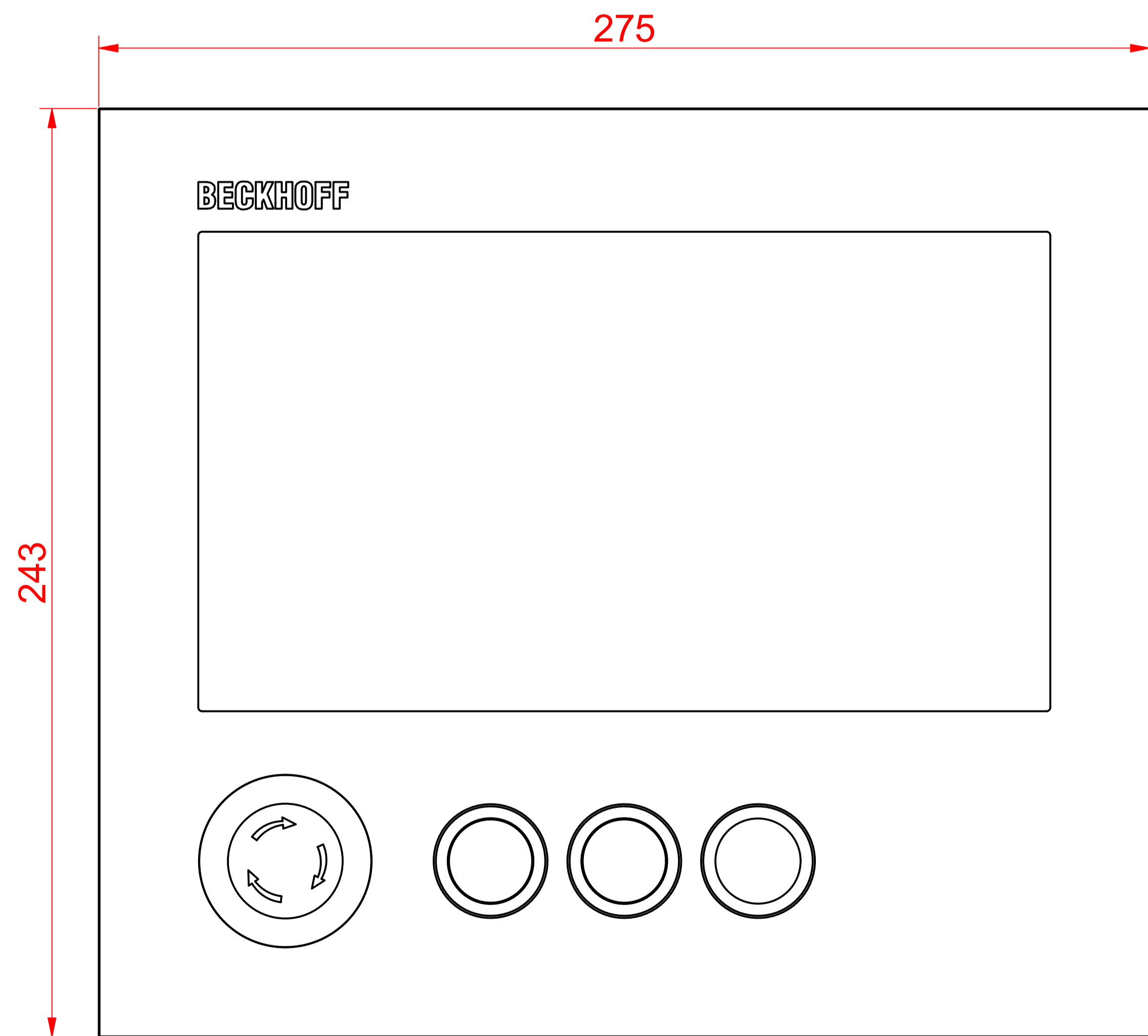
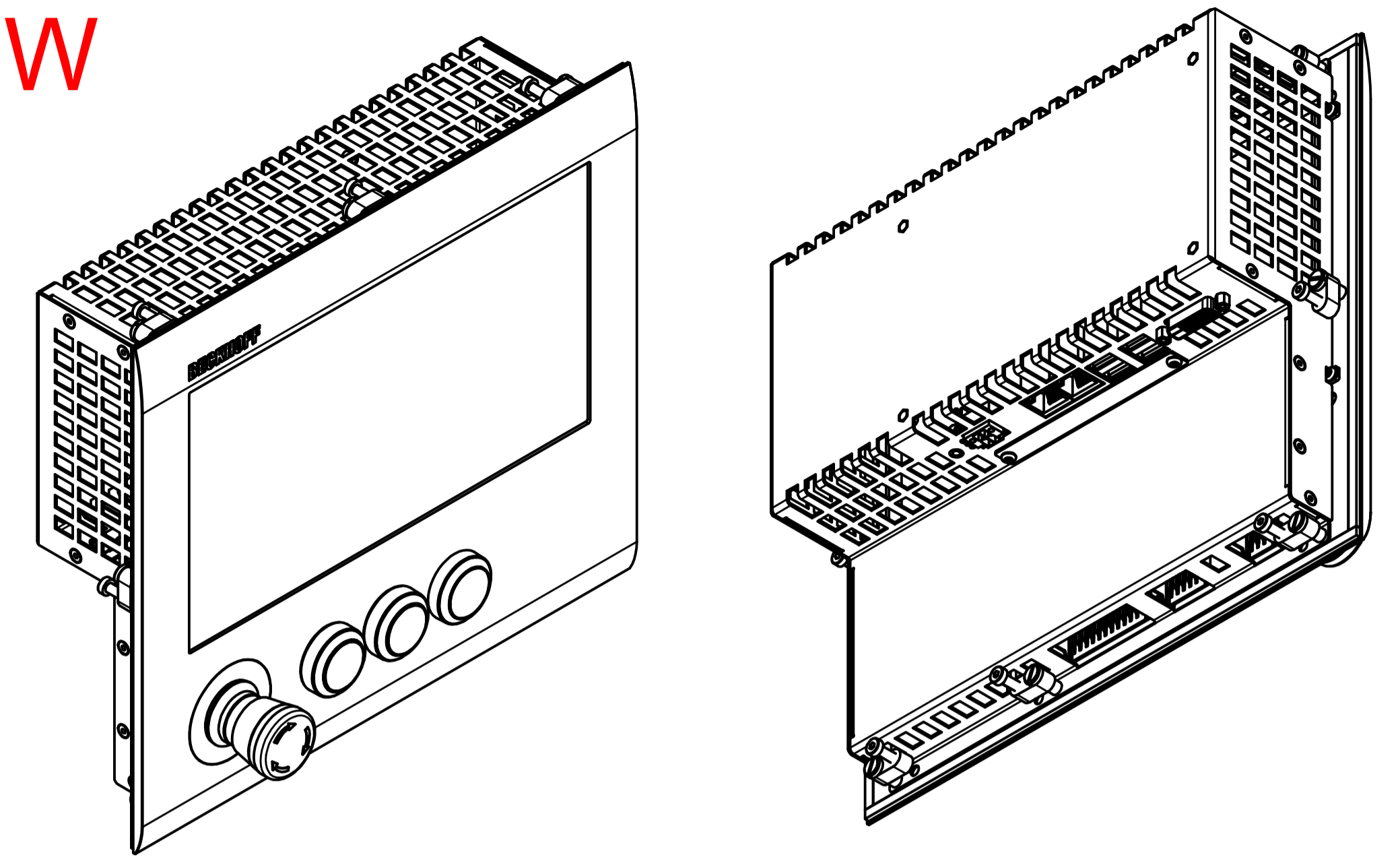


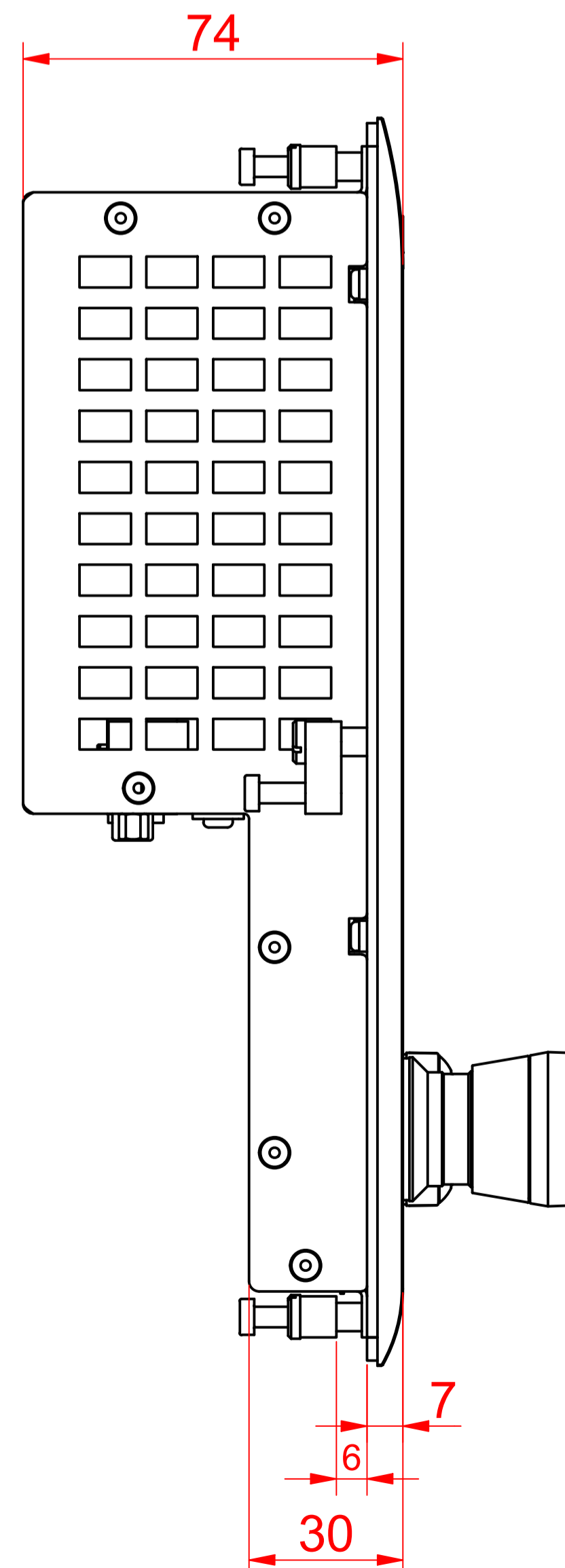
bottom view

CP6700-0001 with TEW
main dimensions and fixing points

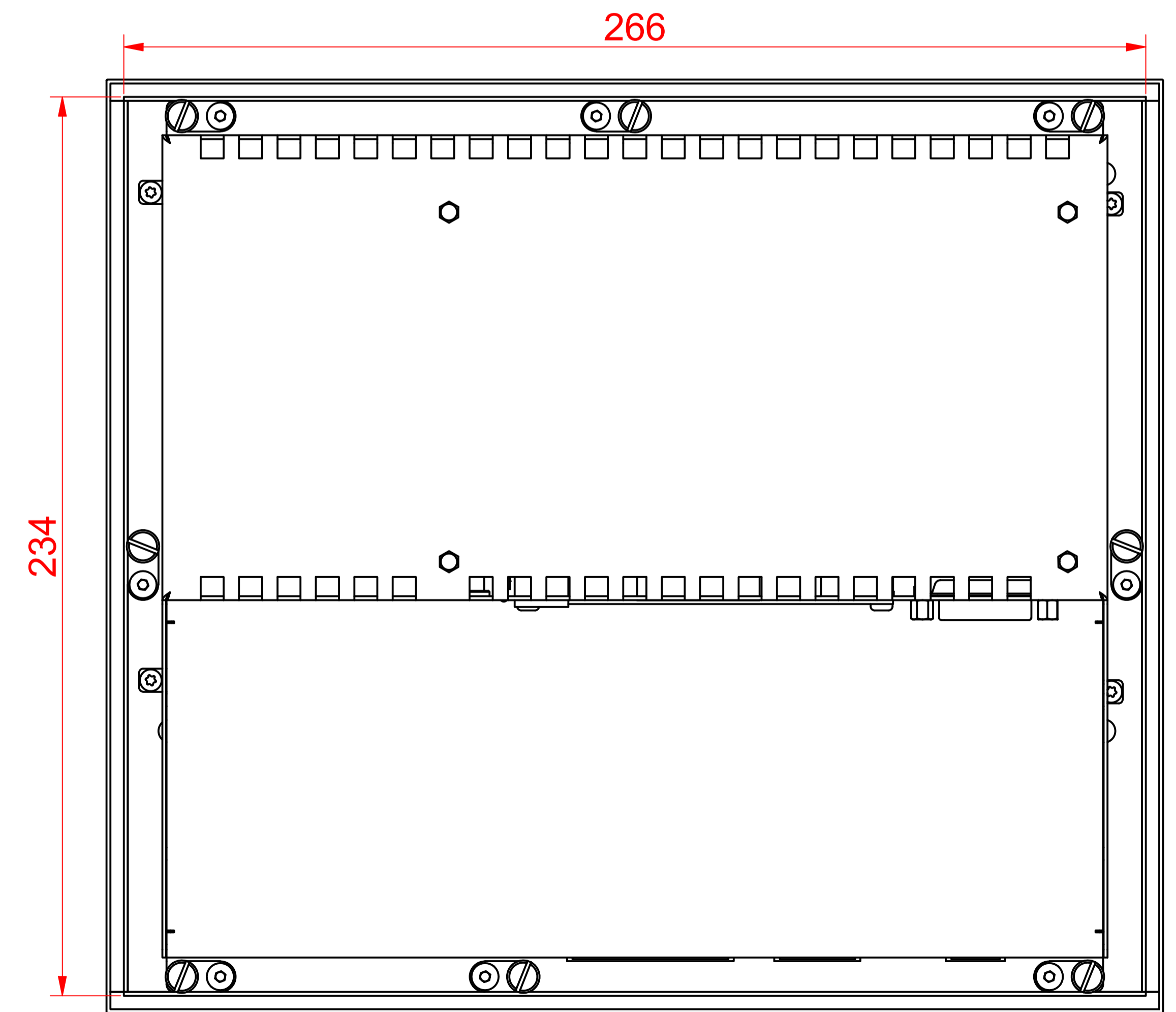
dimensions in mm



front view



left view



rear view
with cut out dimensions