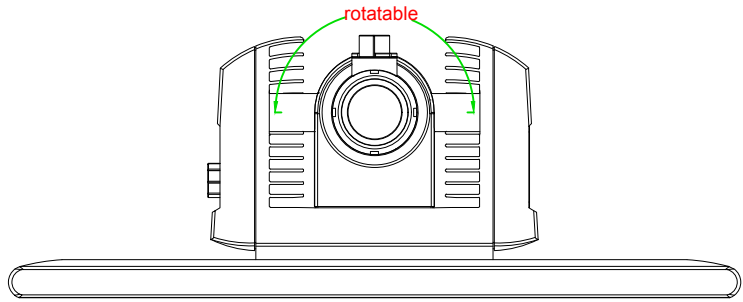


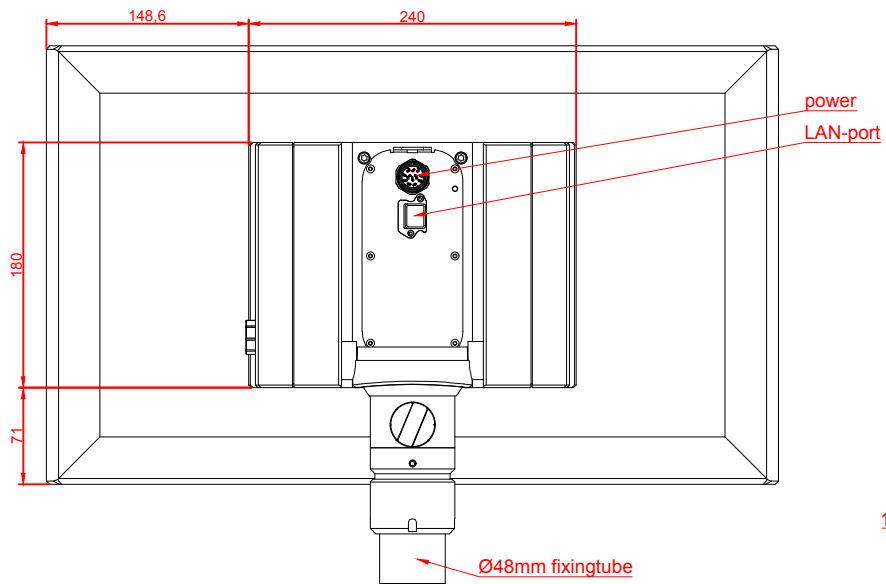
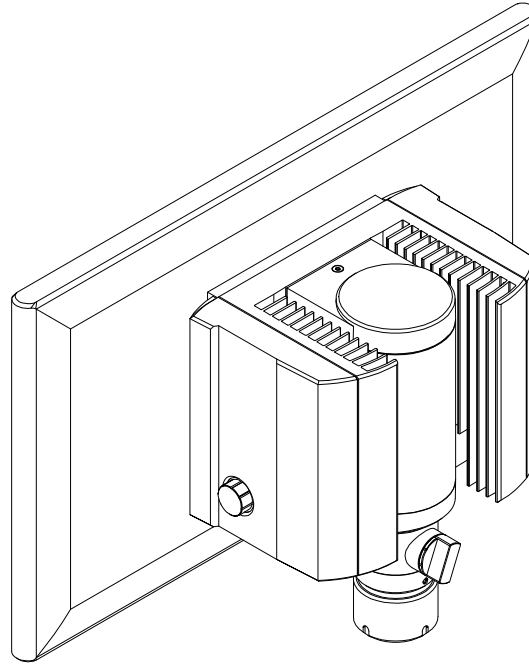
CP3221-M184-E281

main dimensions and
fixing points

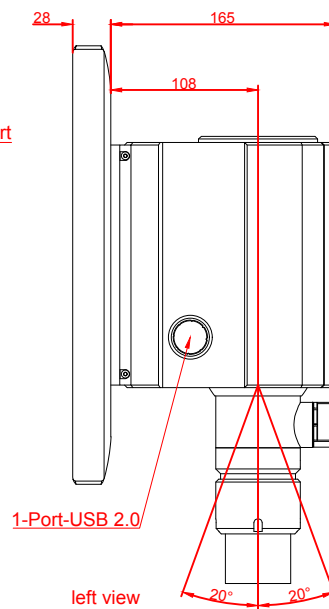
dimensions in mm



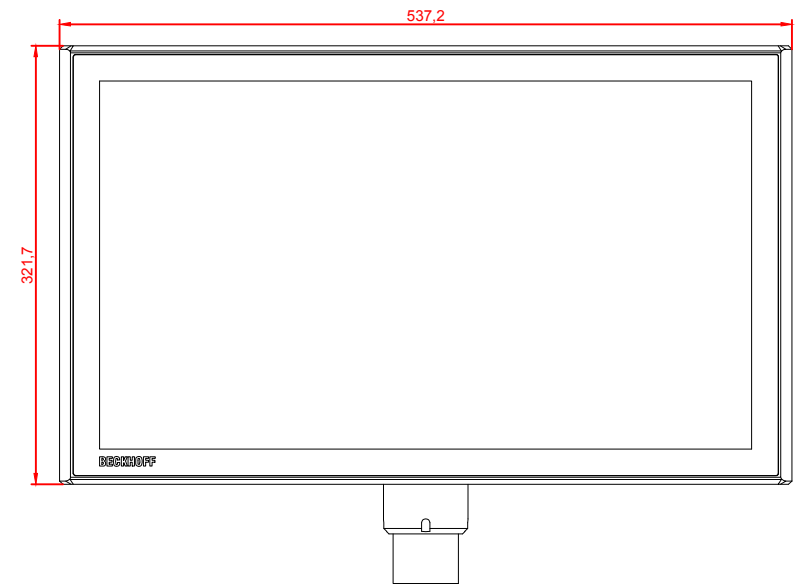
bottom view



rear view



left view



front view