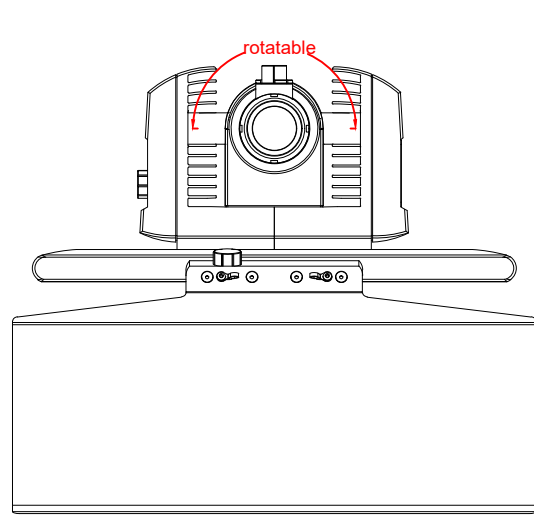


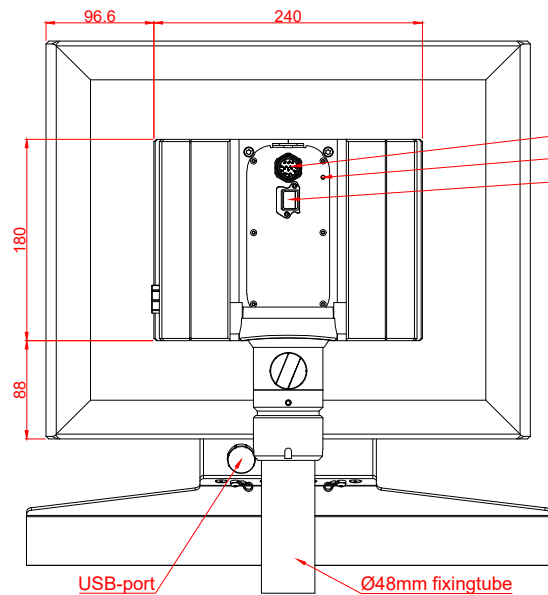
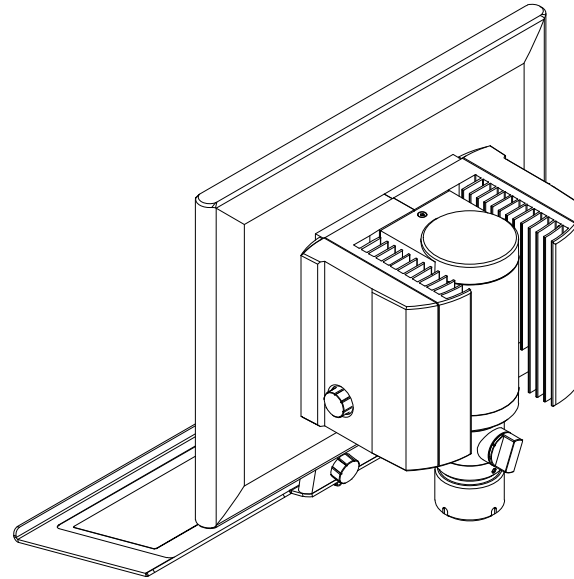
CP3219-M184-E279-M406

main dimensions and
fixing points

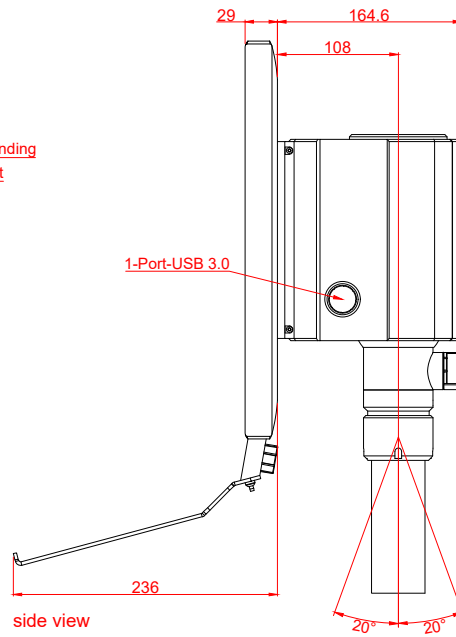
dimensions in mm



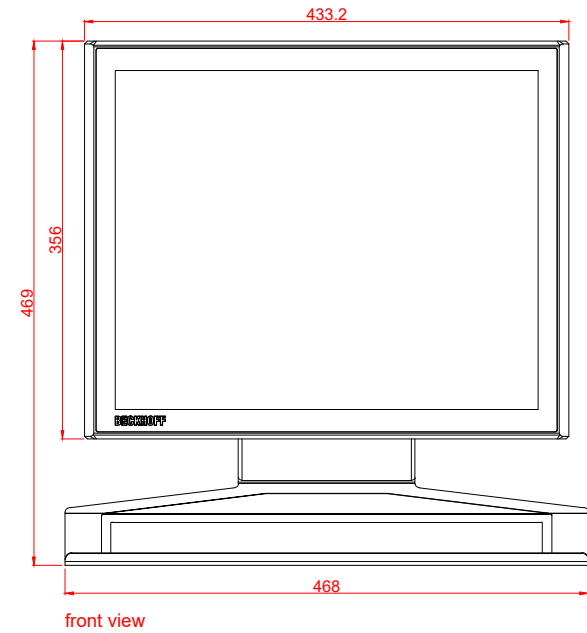
bottom view



rear view



side view



front view