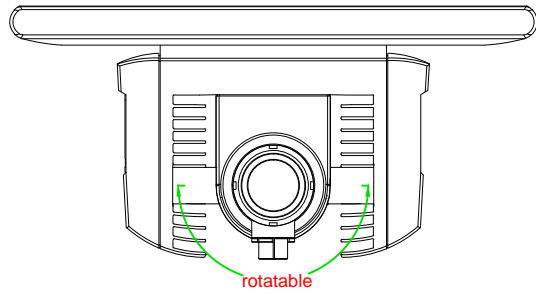


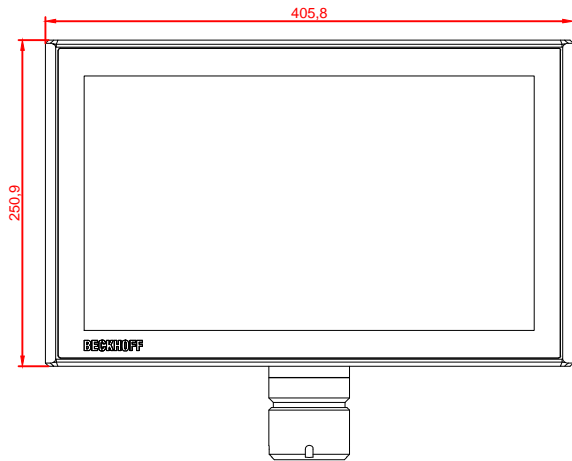
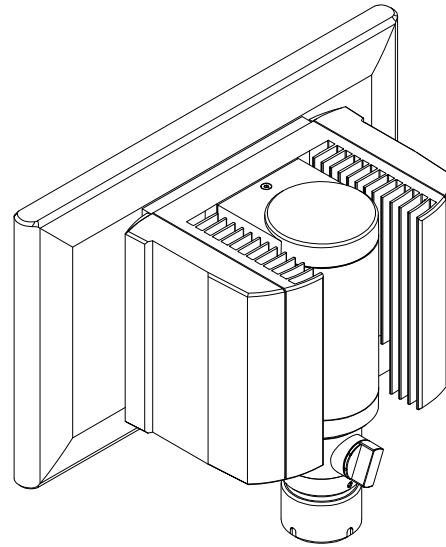
# CP3216-M184

main dimensions and  
fixing points

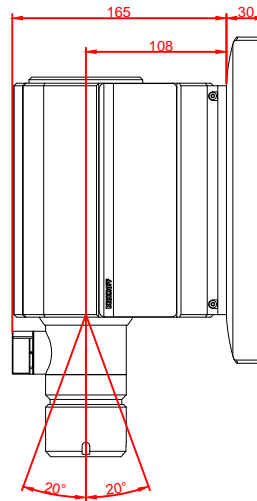
dimensions in mm



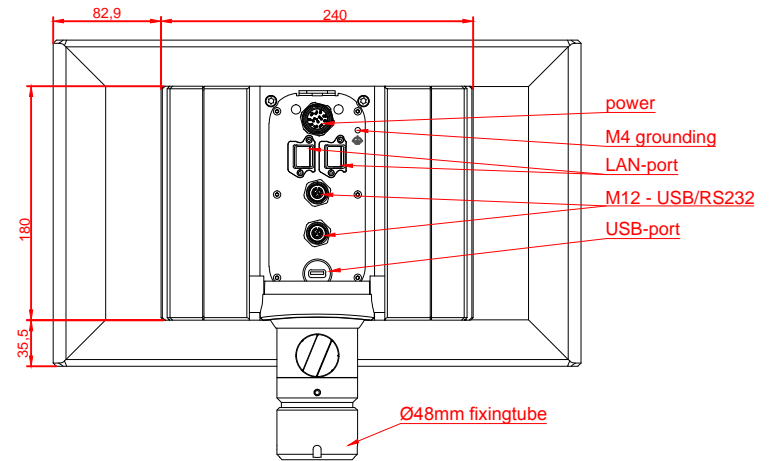
bottom view



front view



left view



rear view