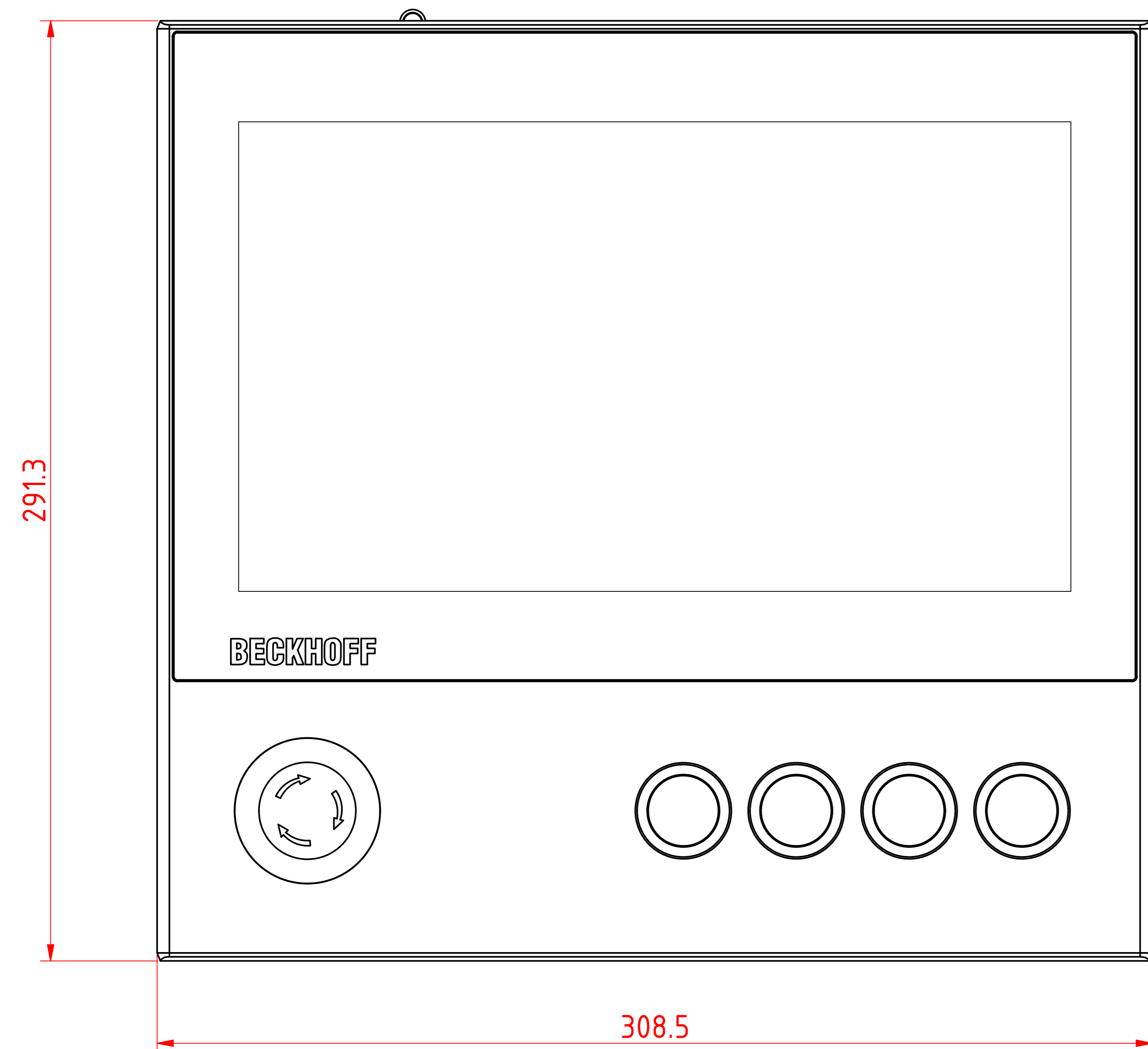
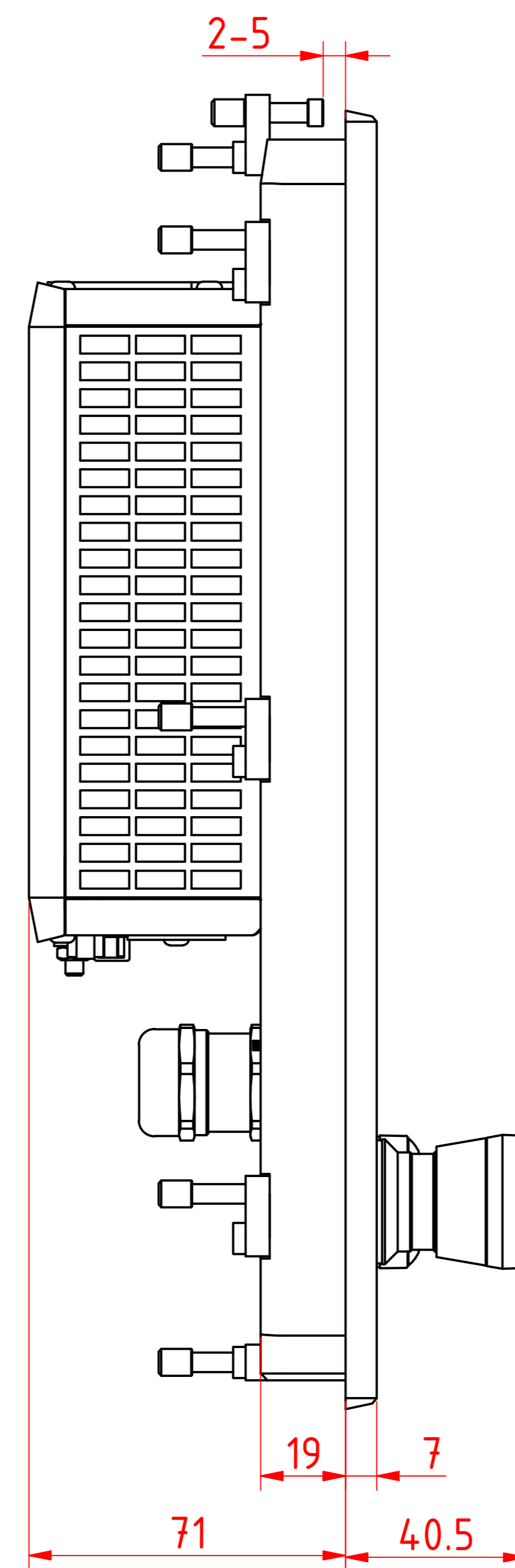


CP2713 G009
main dimensions and
fixing points

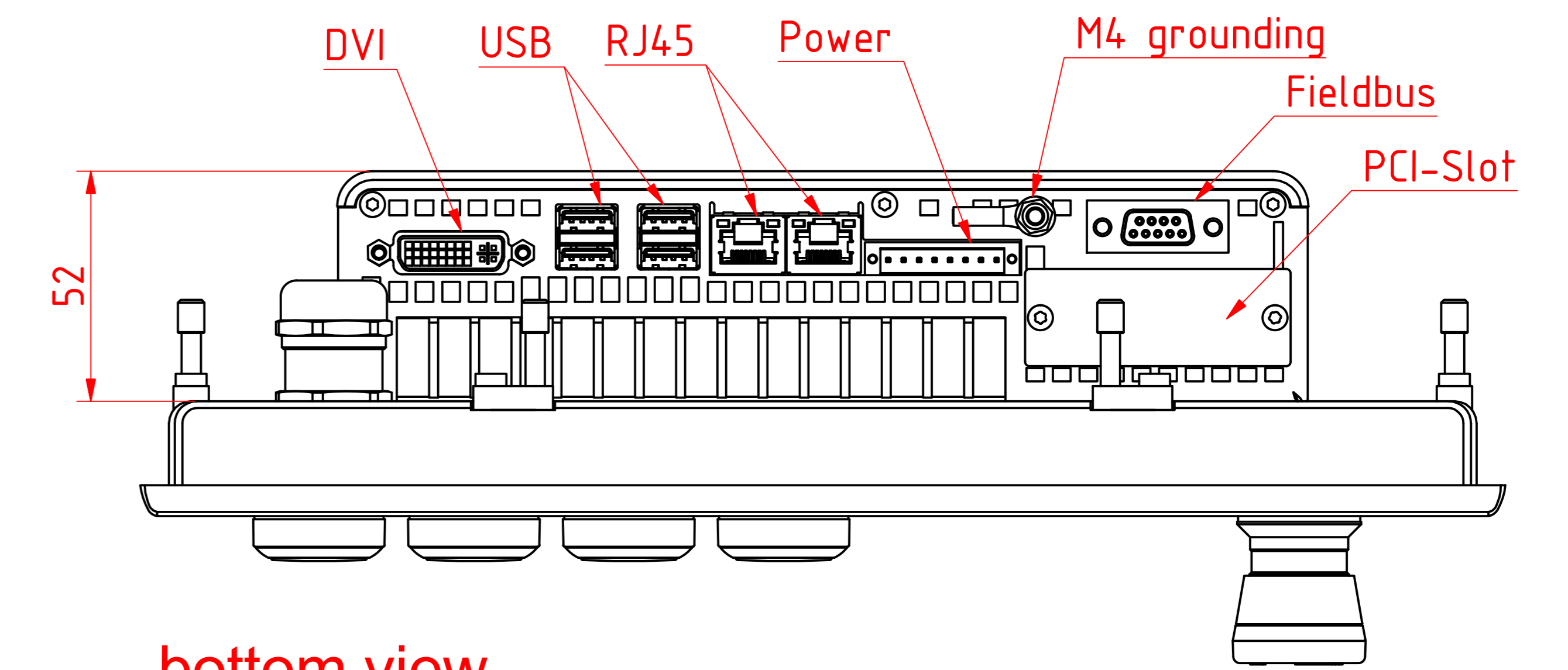
dimensions in mm



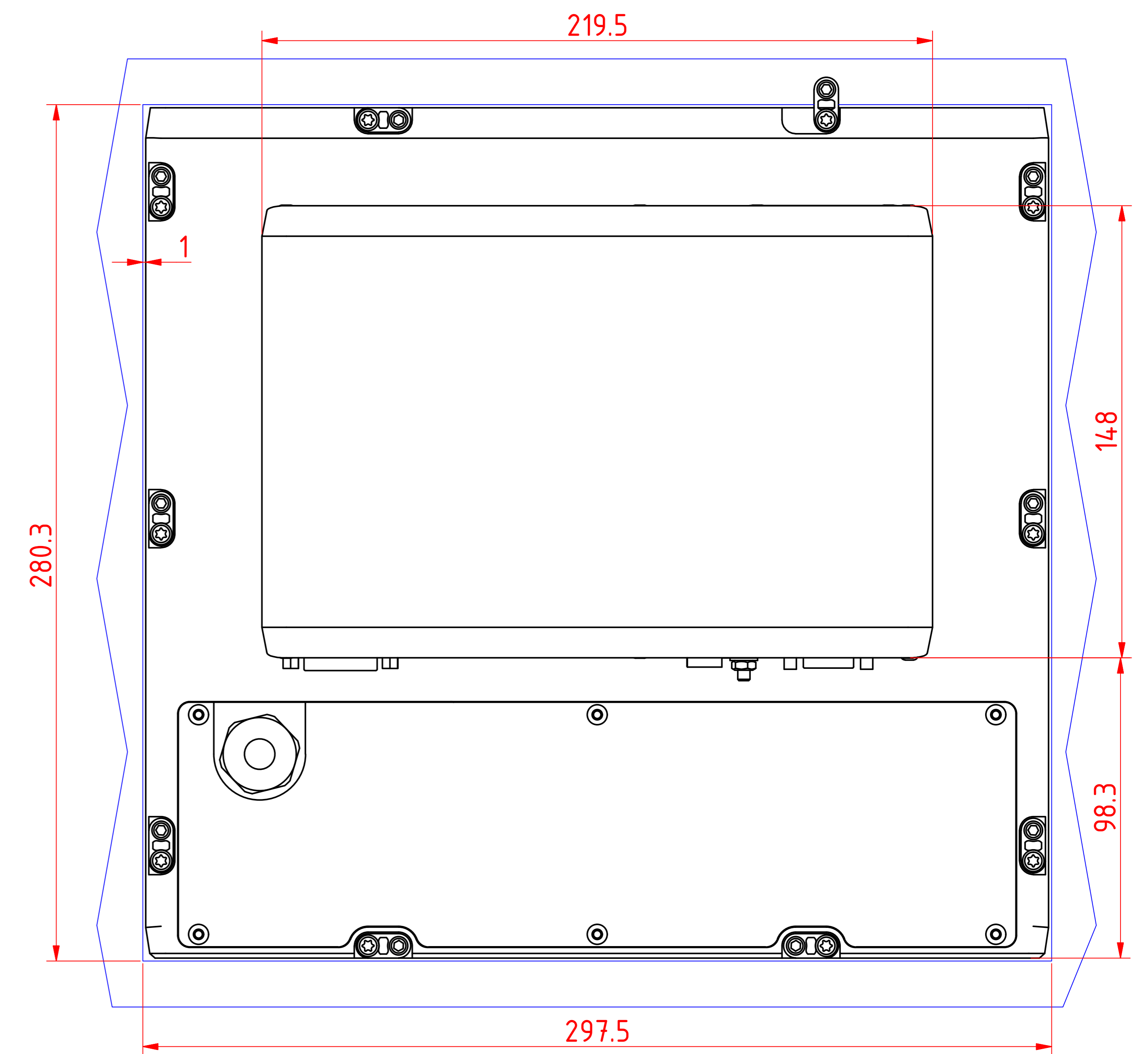
front view



left view

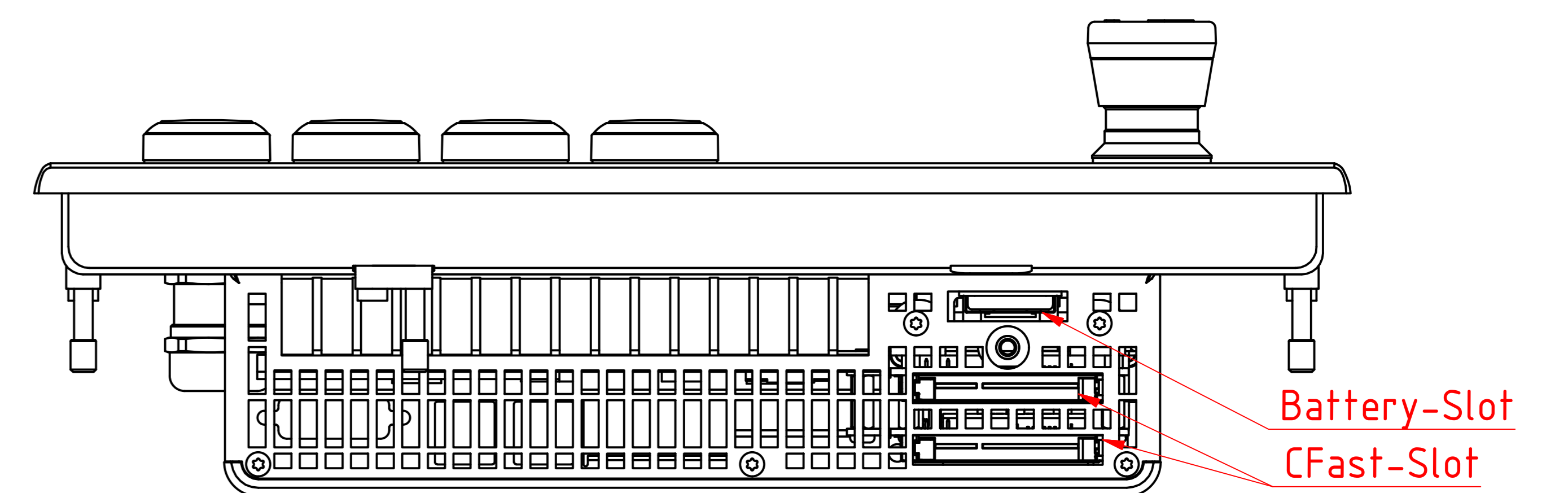


bottom view



cut out dimensions: 280.3 x 297.5

rear view



top view