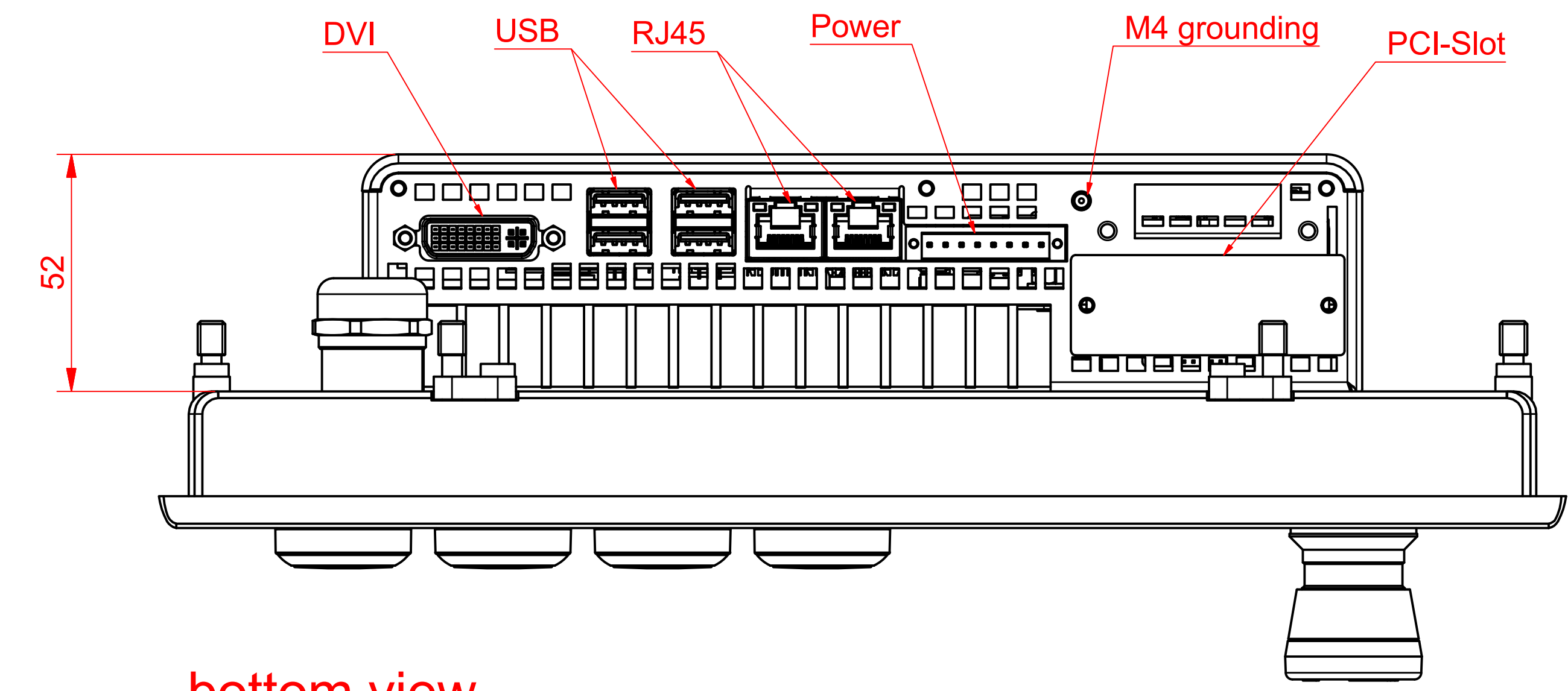
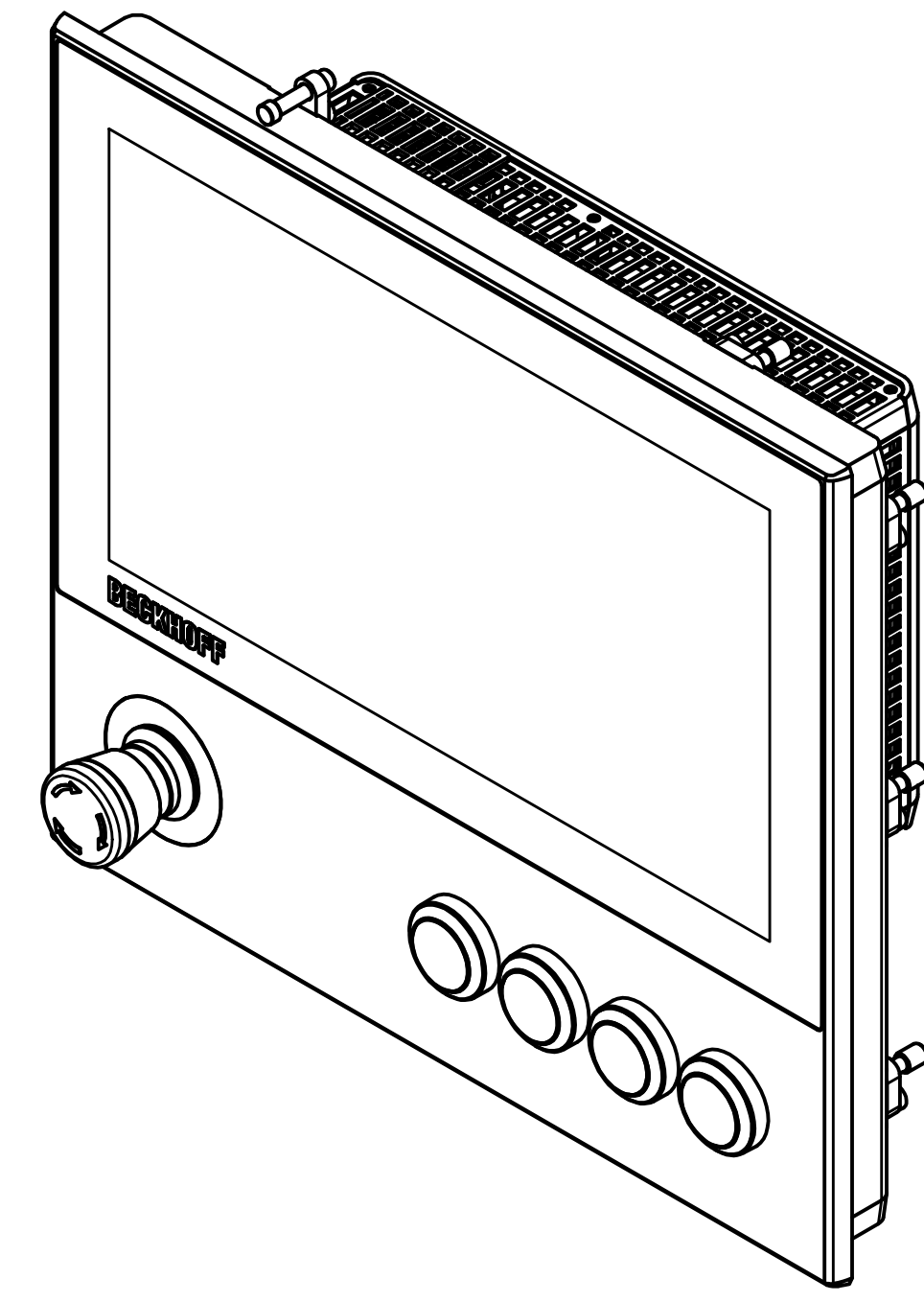


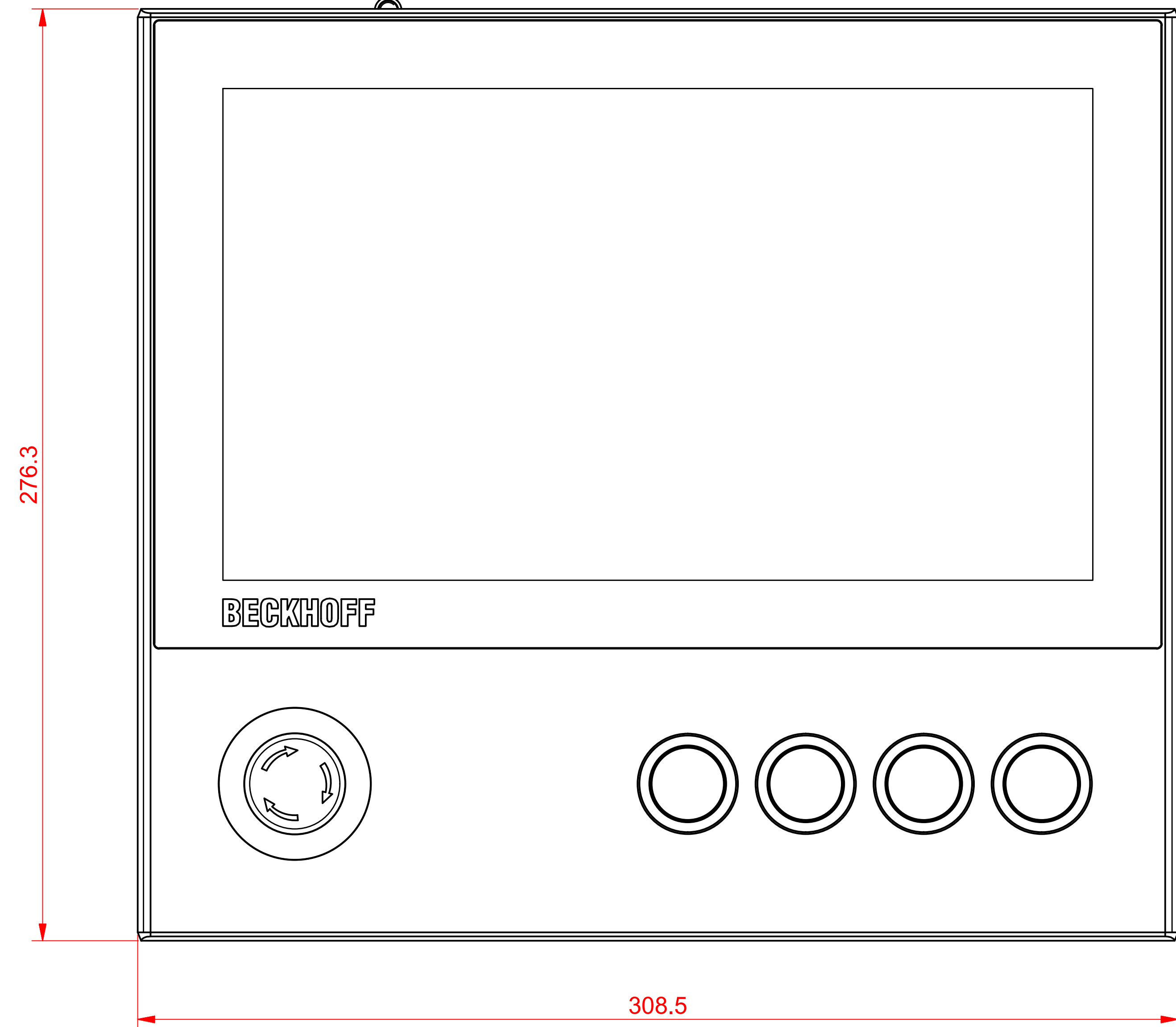
CP2711-0010-G001

main dimensions and fixing points

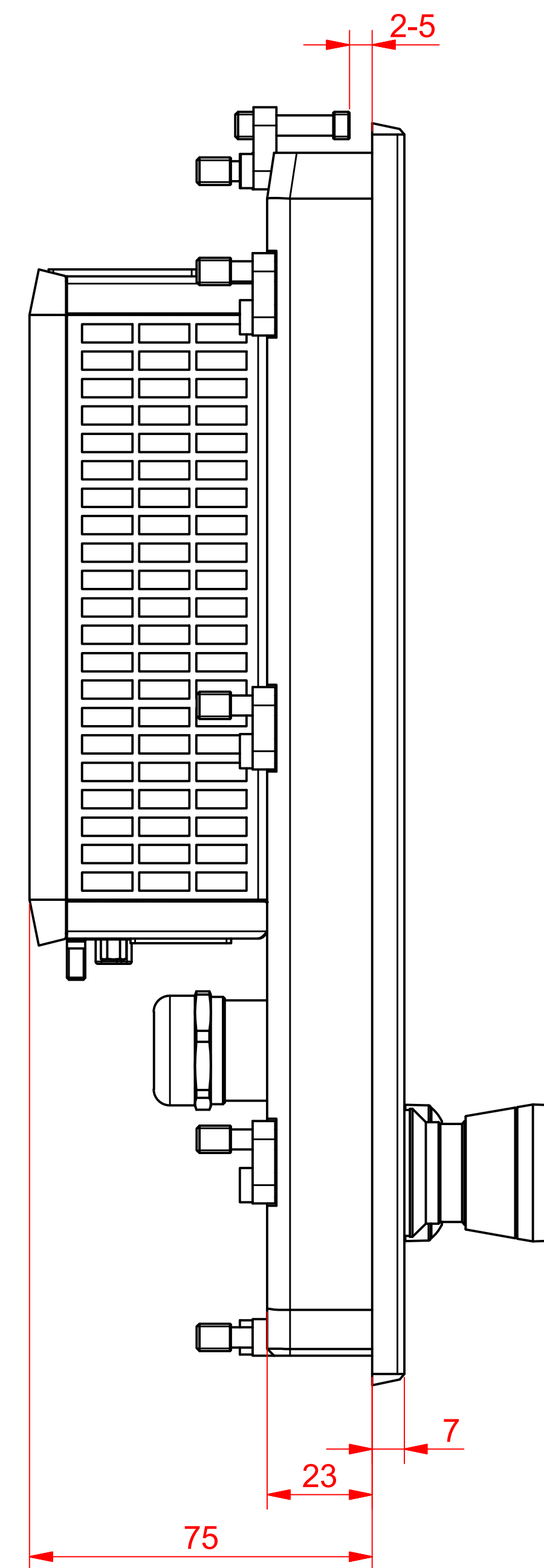
dimensions in mm



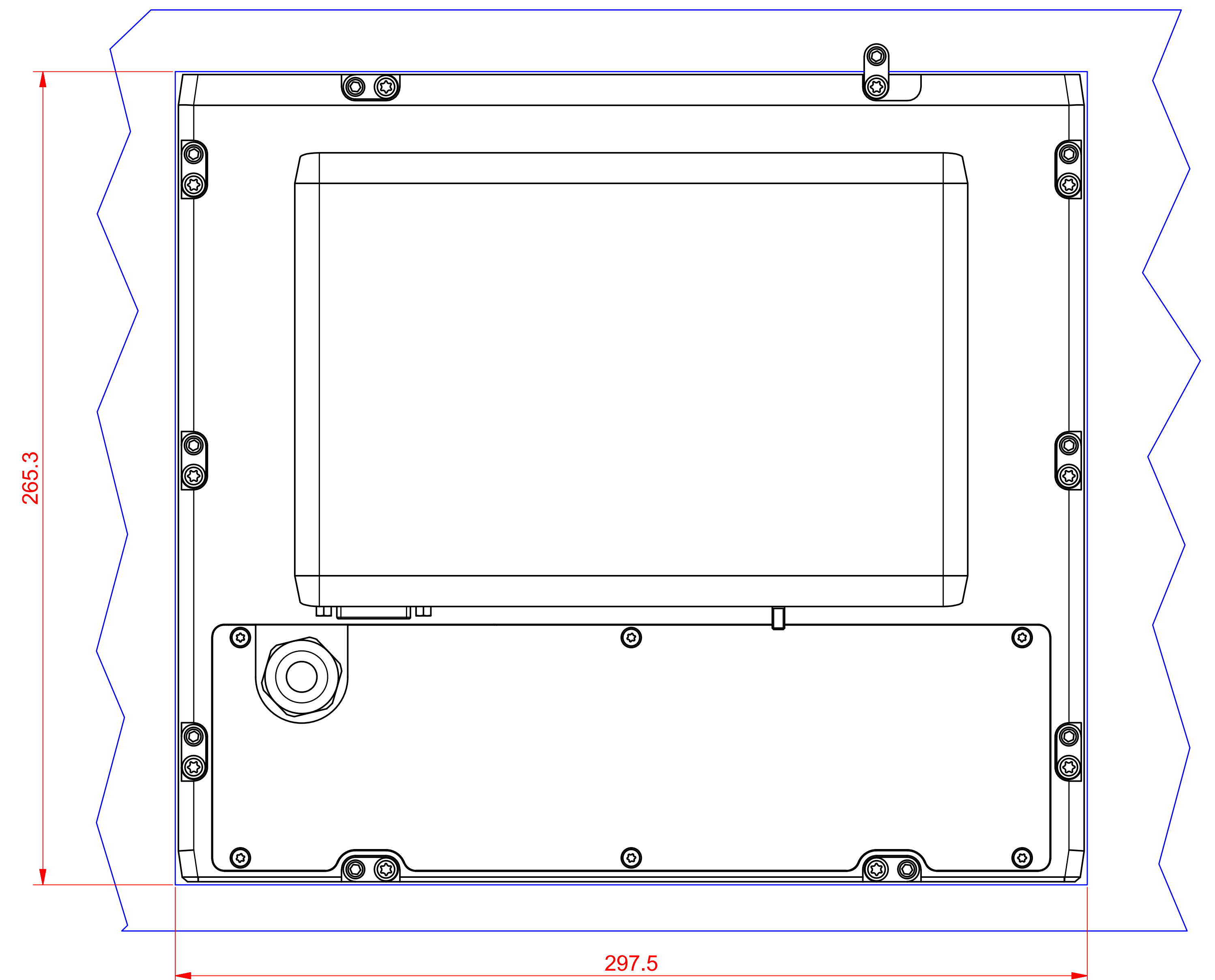
bottom view



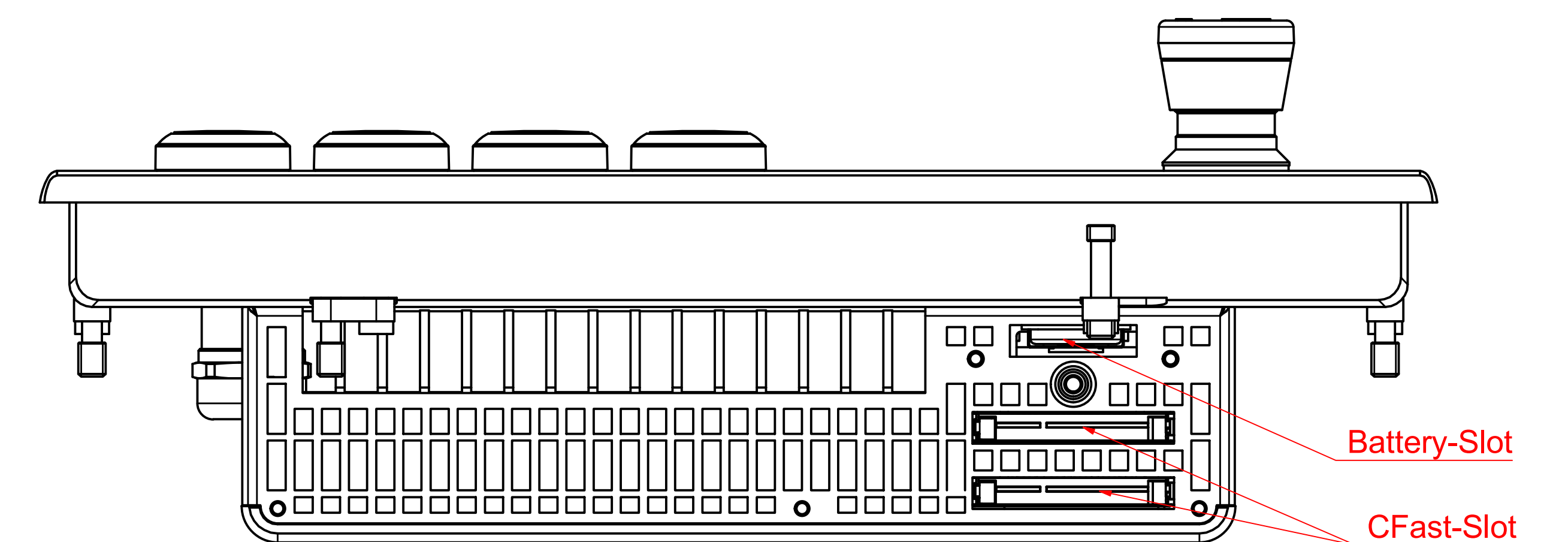
front view



left view



rear view
cut out dimensions: 265.3 x 297.5 mm



top view