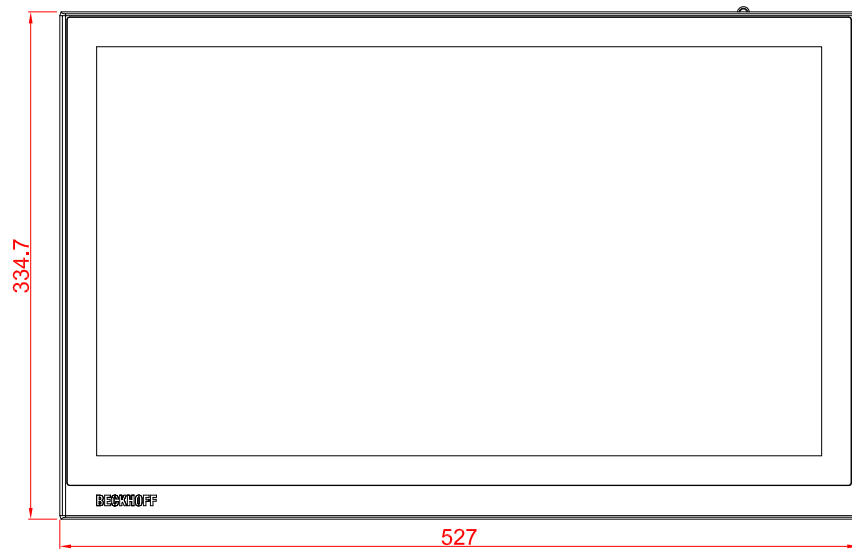
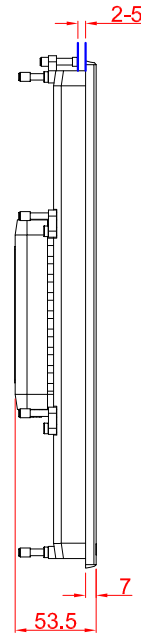


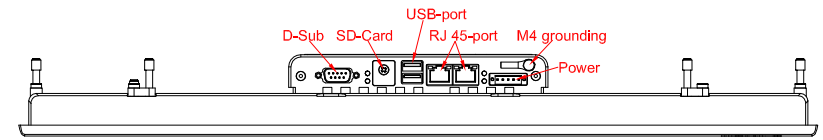
CP2621 Landscape  
main dimensions and  
fixing points  
dimensions in mm



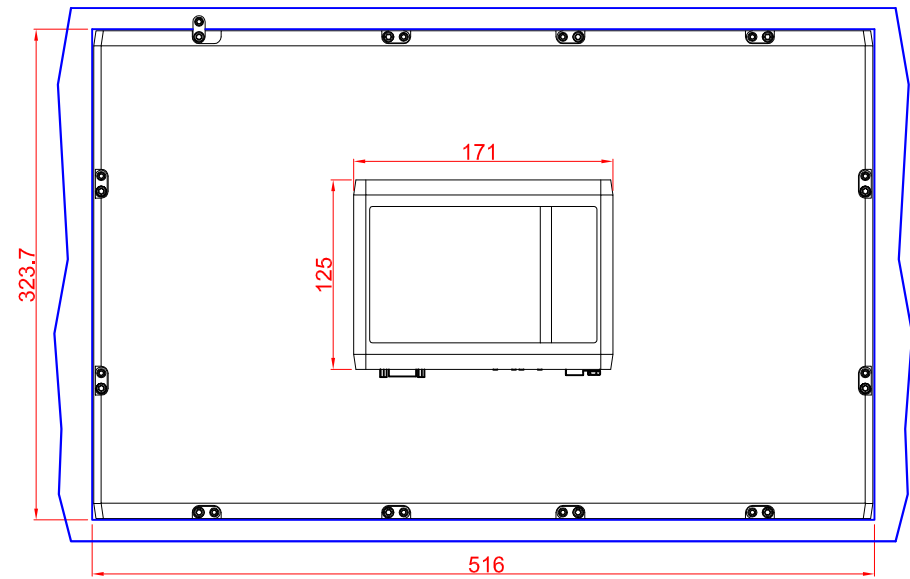
front view



left view



bottom view



cut out dimensions: 323,7mm x 516mm

rear view