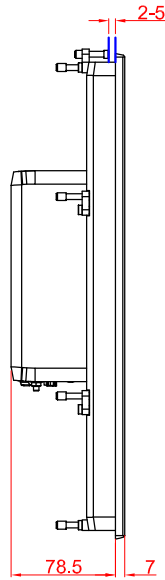
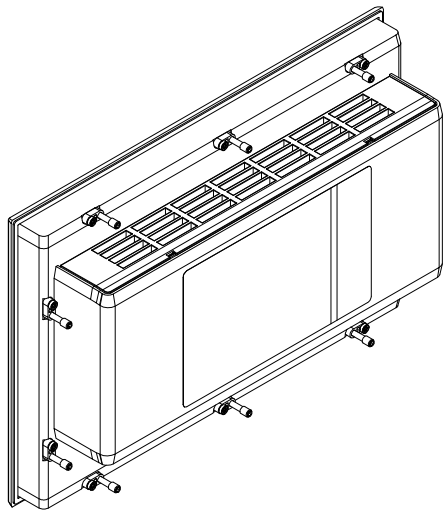


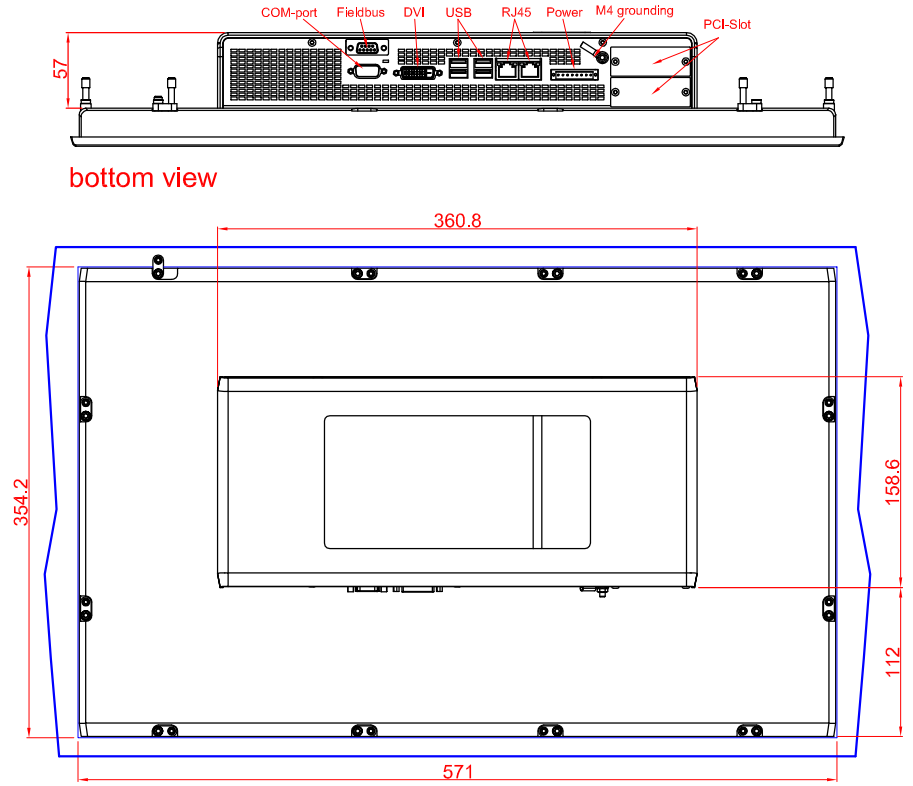
CP2224
main dimensions and
fixing points
dimensions in mm



front view



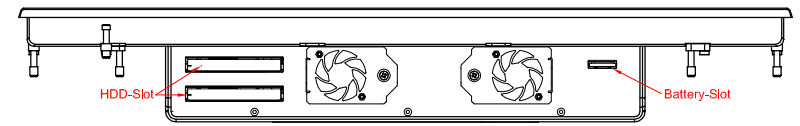
left view



bottom view

cut out dimensions: 354,2mm x 571mm

rear view



top view