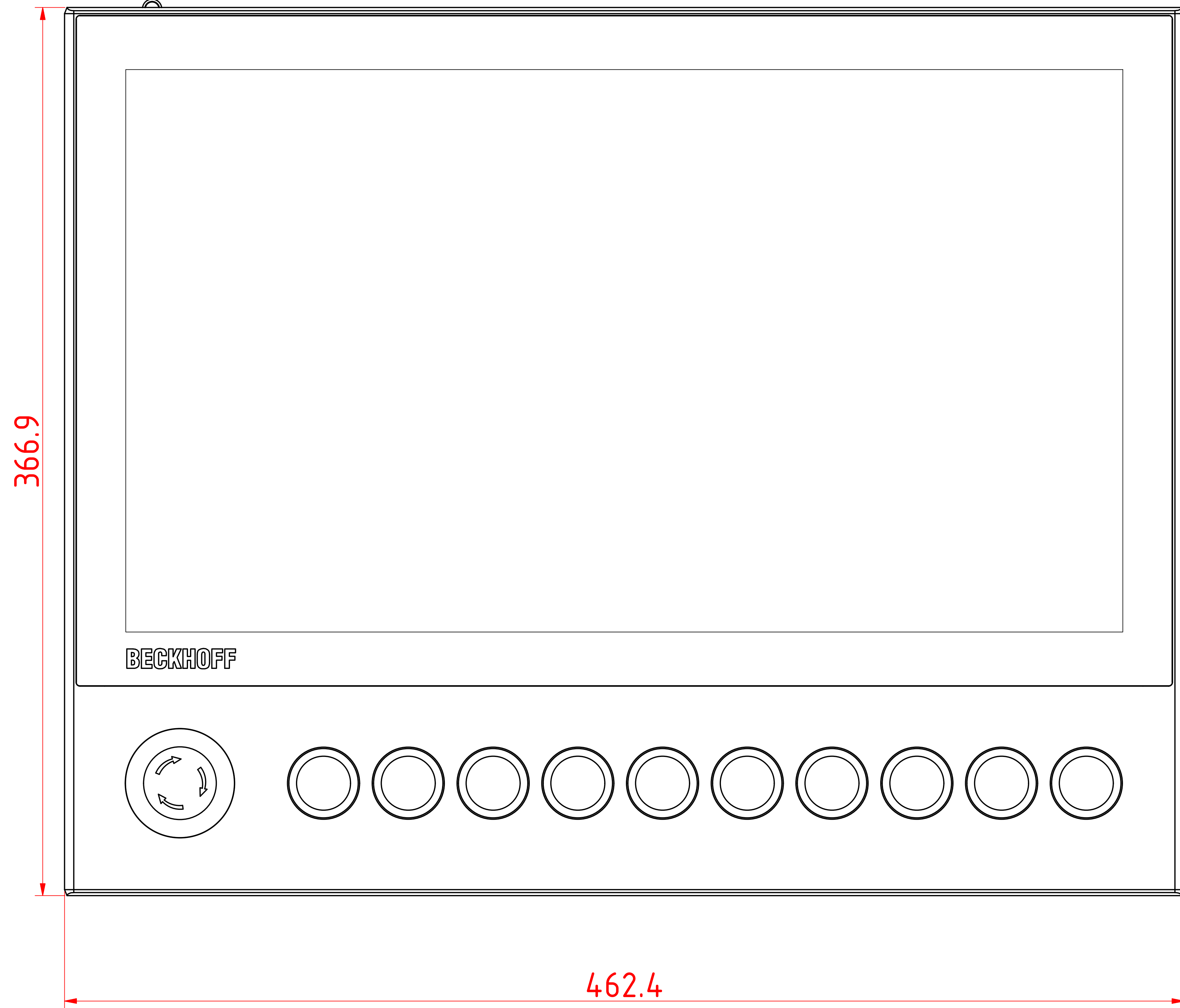
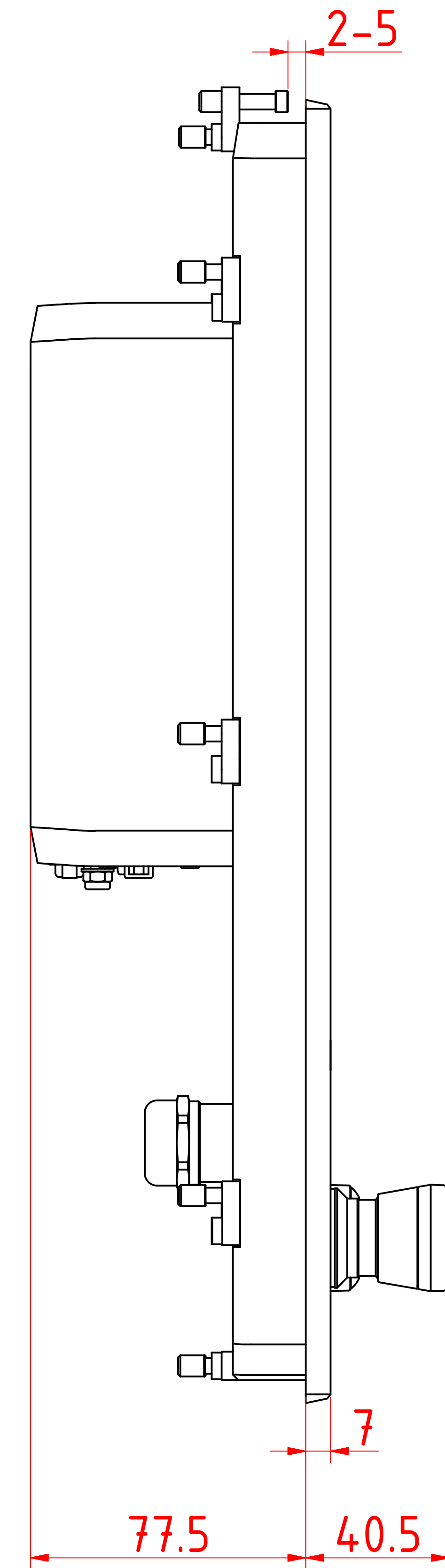
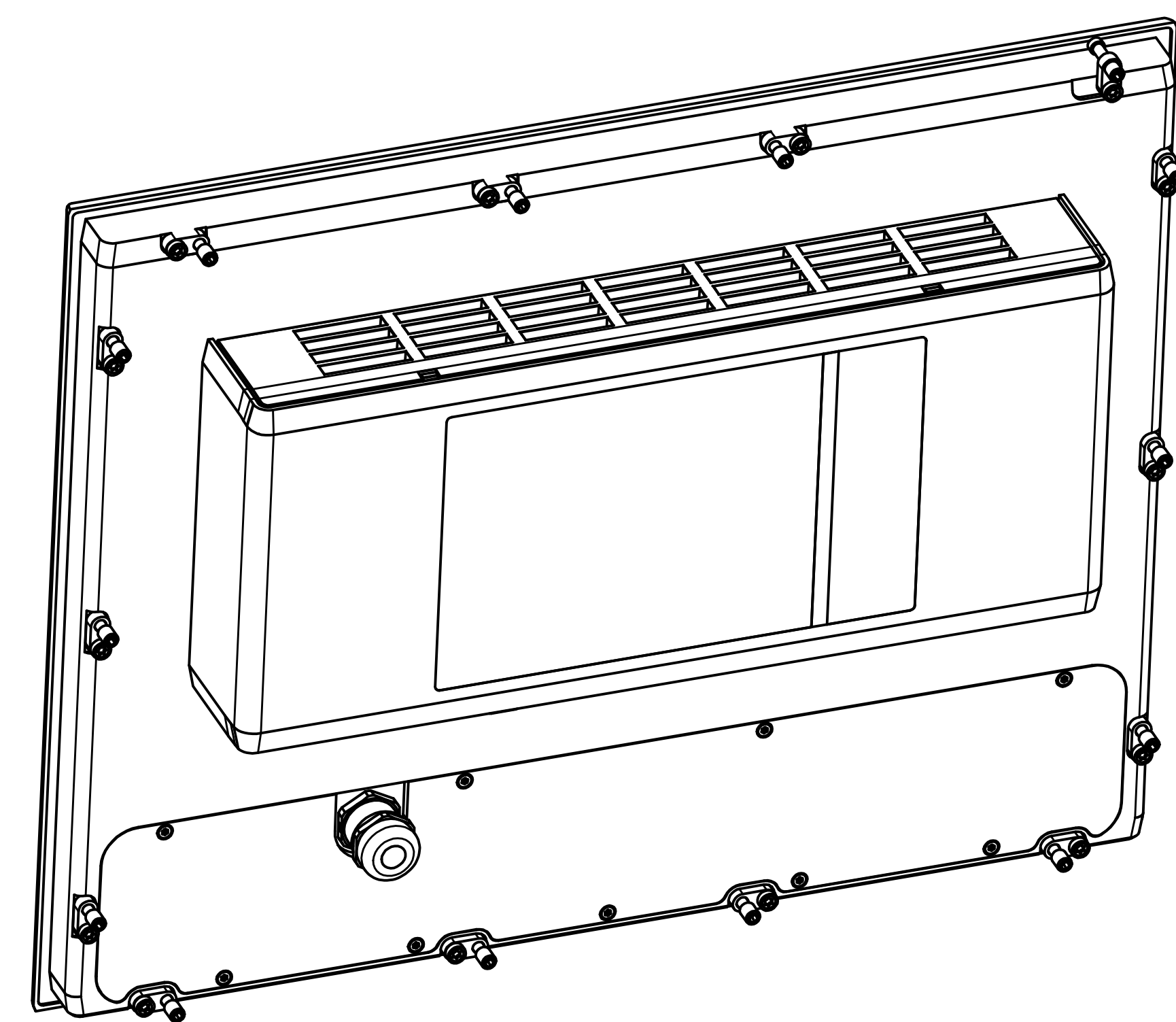


CP2218-G005

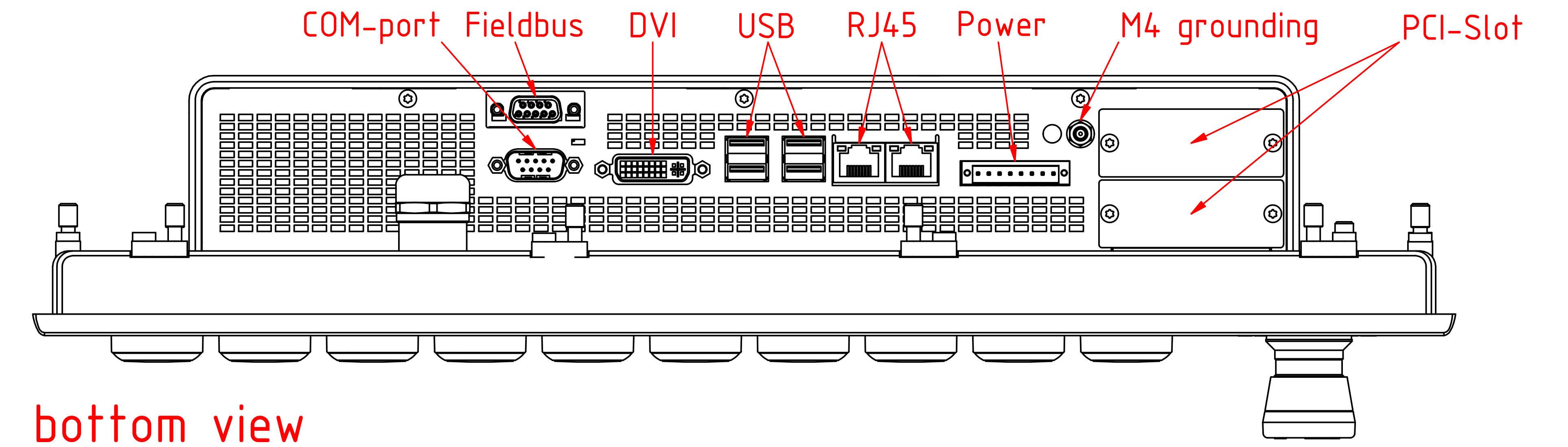
main dimensions and
fixing points
dimensions in mm



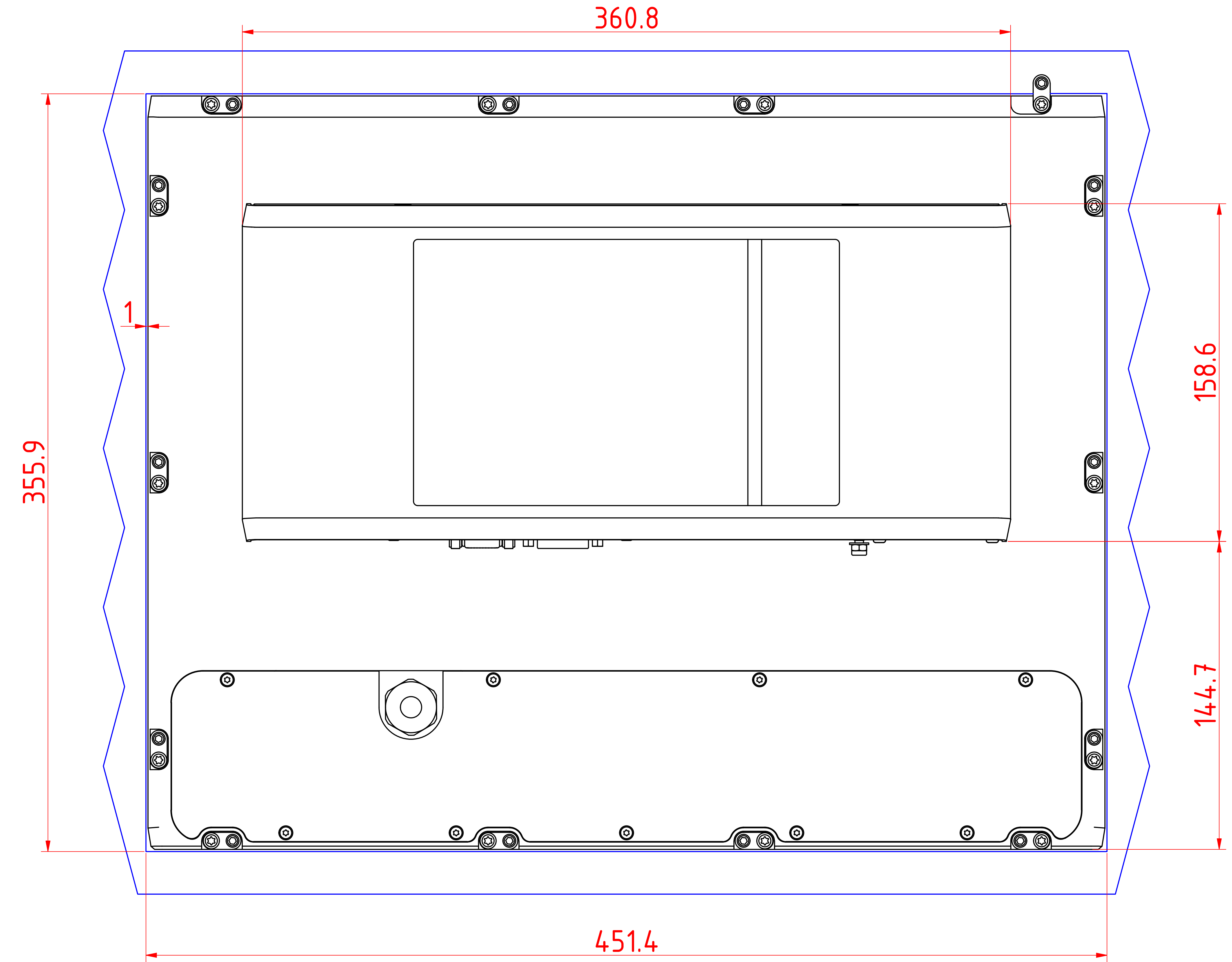
front view



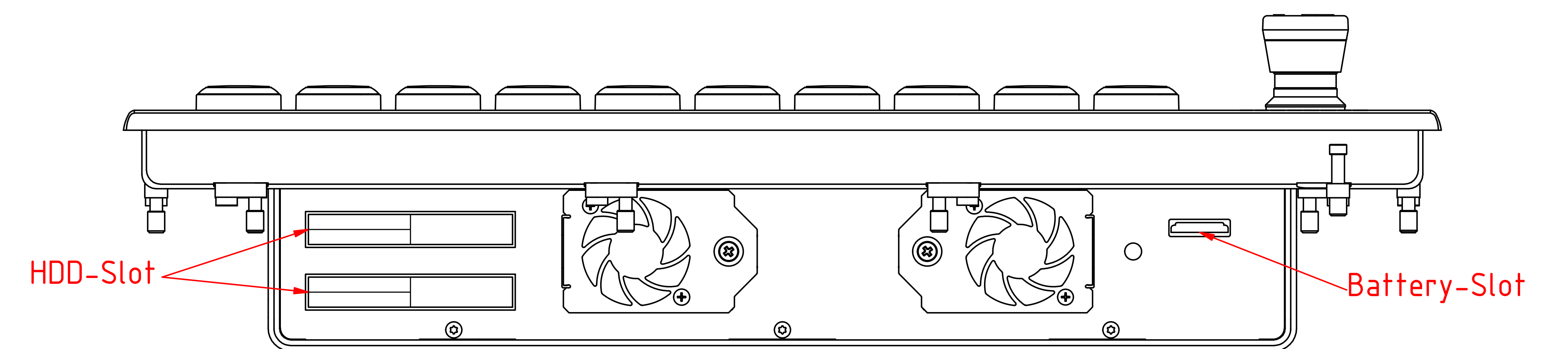
left view



bottom view



cut out dimensions: 355.9mm x 451.4mm
rear view



top view