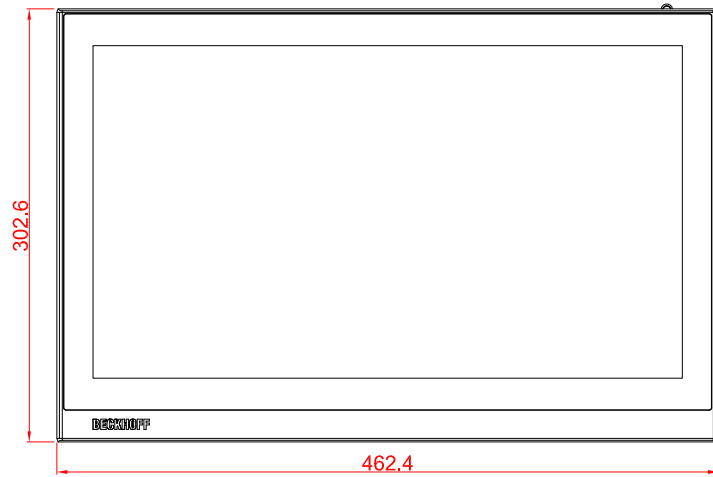
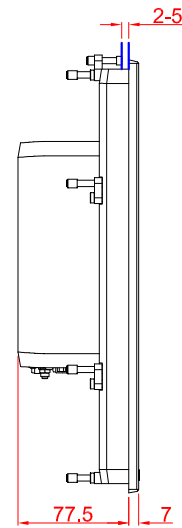
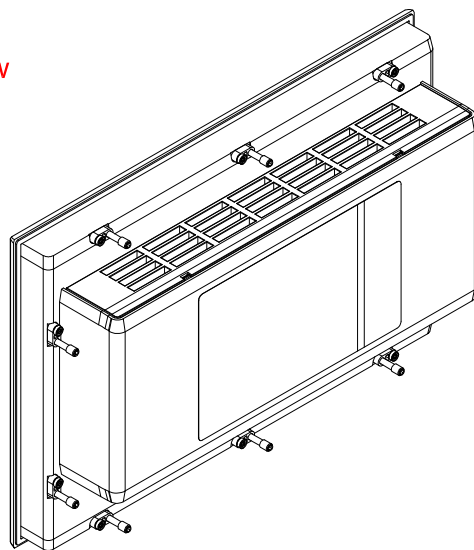


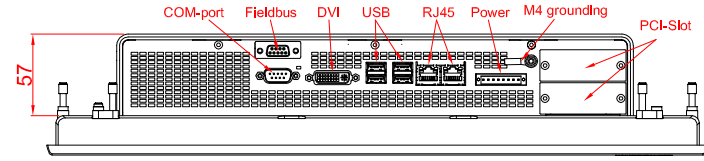
CP2218
main dimensions and
fixing points
dimensions in mm



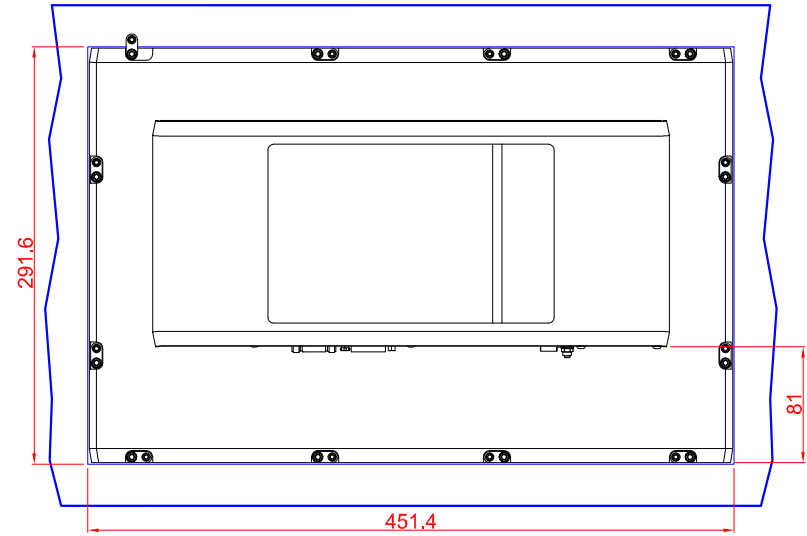
front view



left view

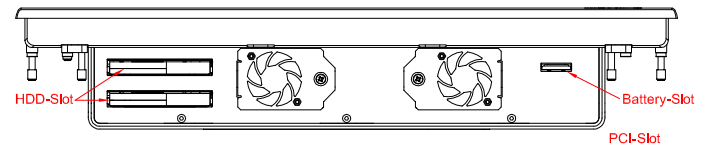


bottom view



cut out dimensions: 291,6mm x 451,4mm

rear view



top view