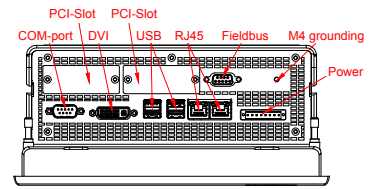
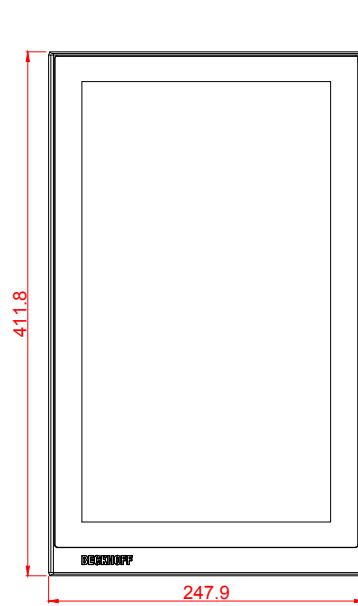


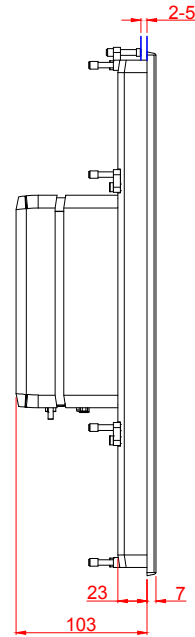
CP2216-M575-0000  
main dimensions and  
fixing points  
dimensions in mm



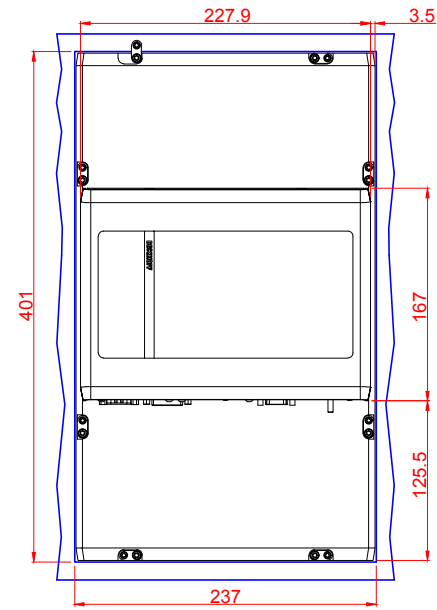
bottom view



front view

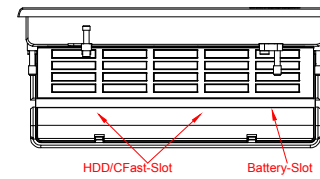


left view



cut out dimensions: 401mm x 237mm

rear view



top view