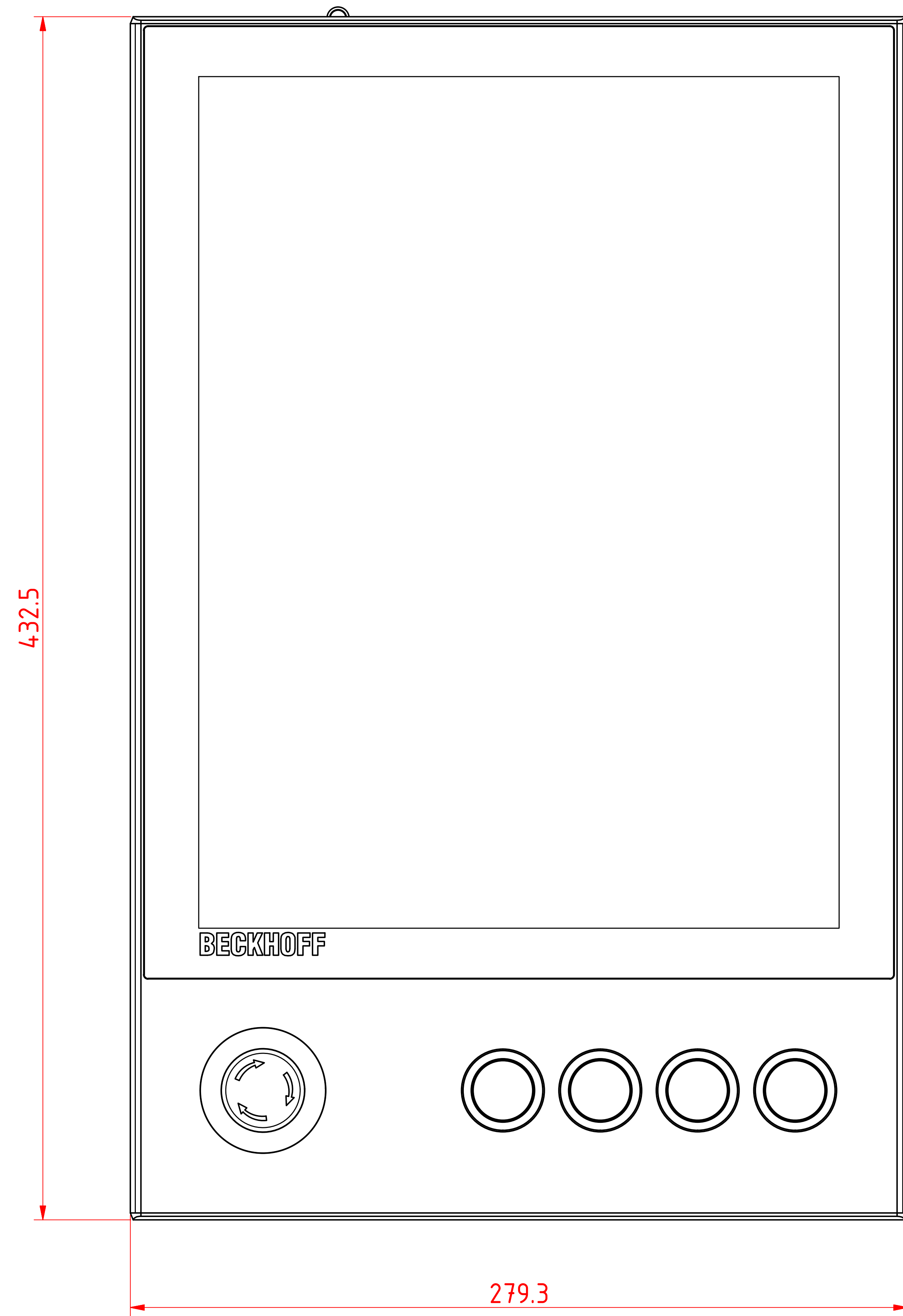
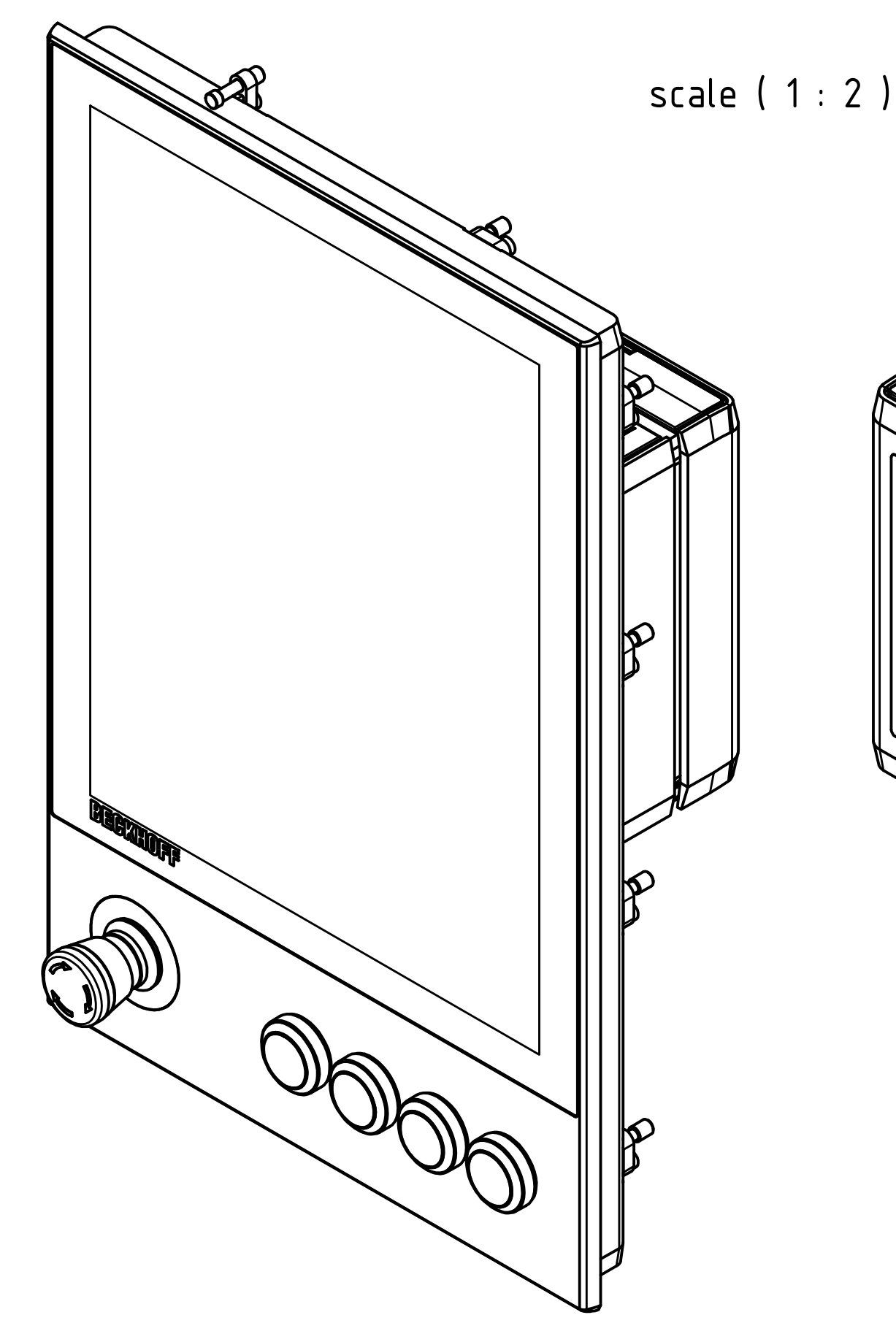


# CP2215-G013

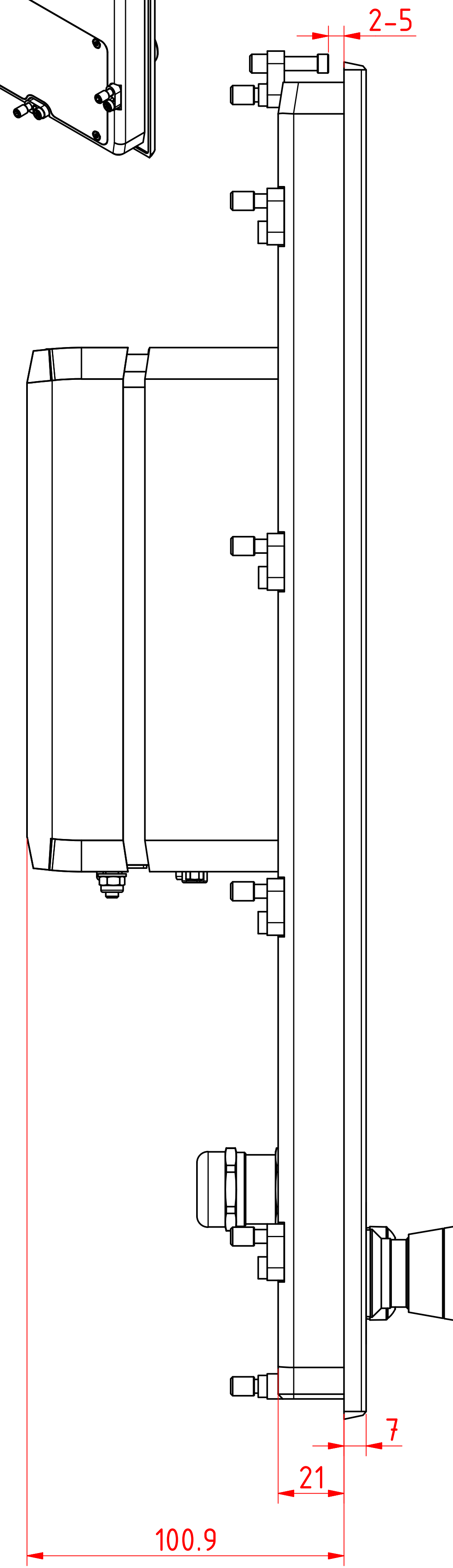
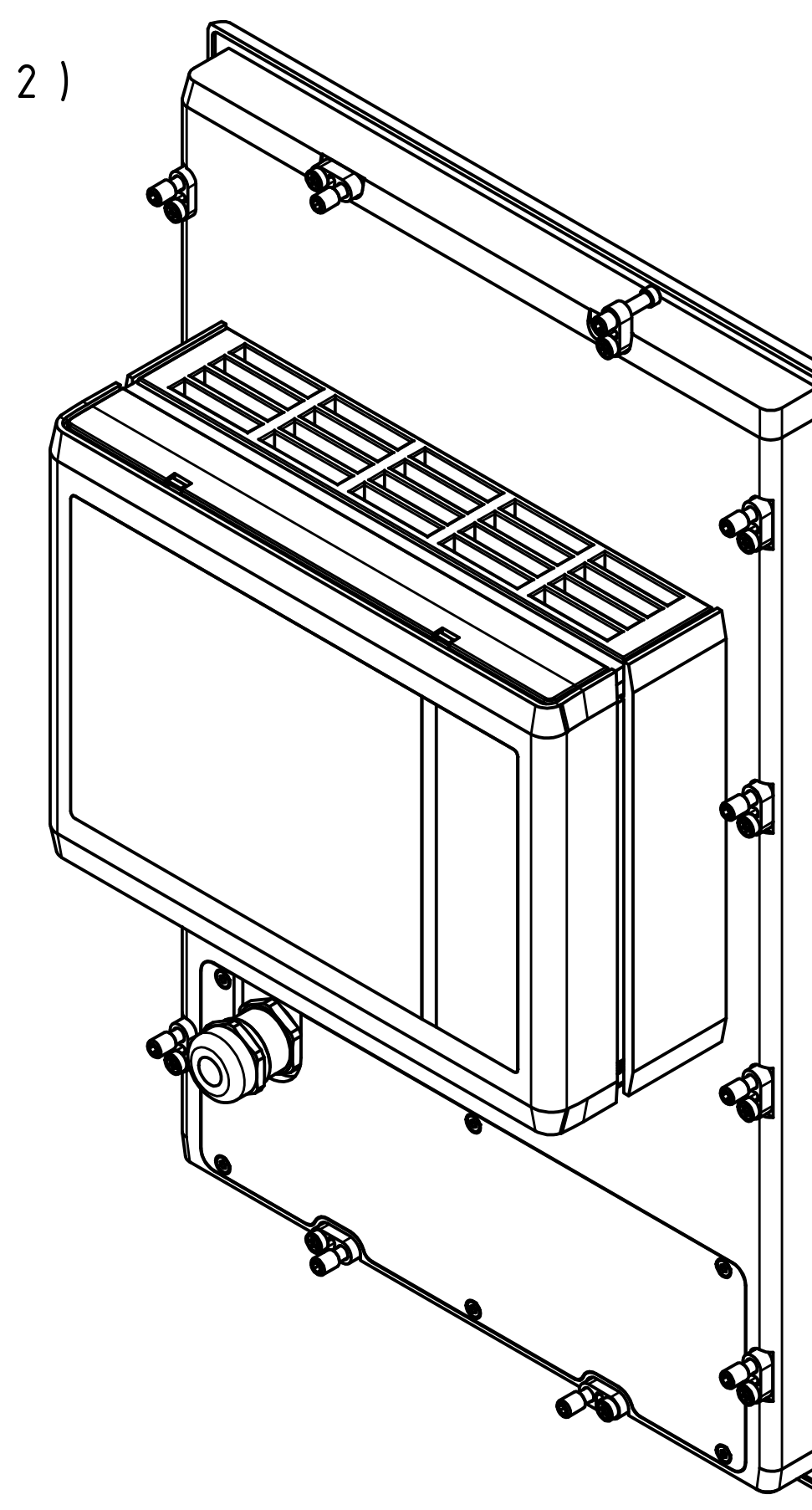
main dimensions and  
fixing points  
dimensions in mm



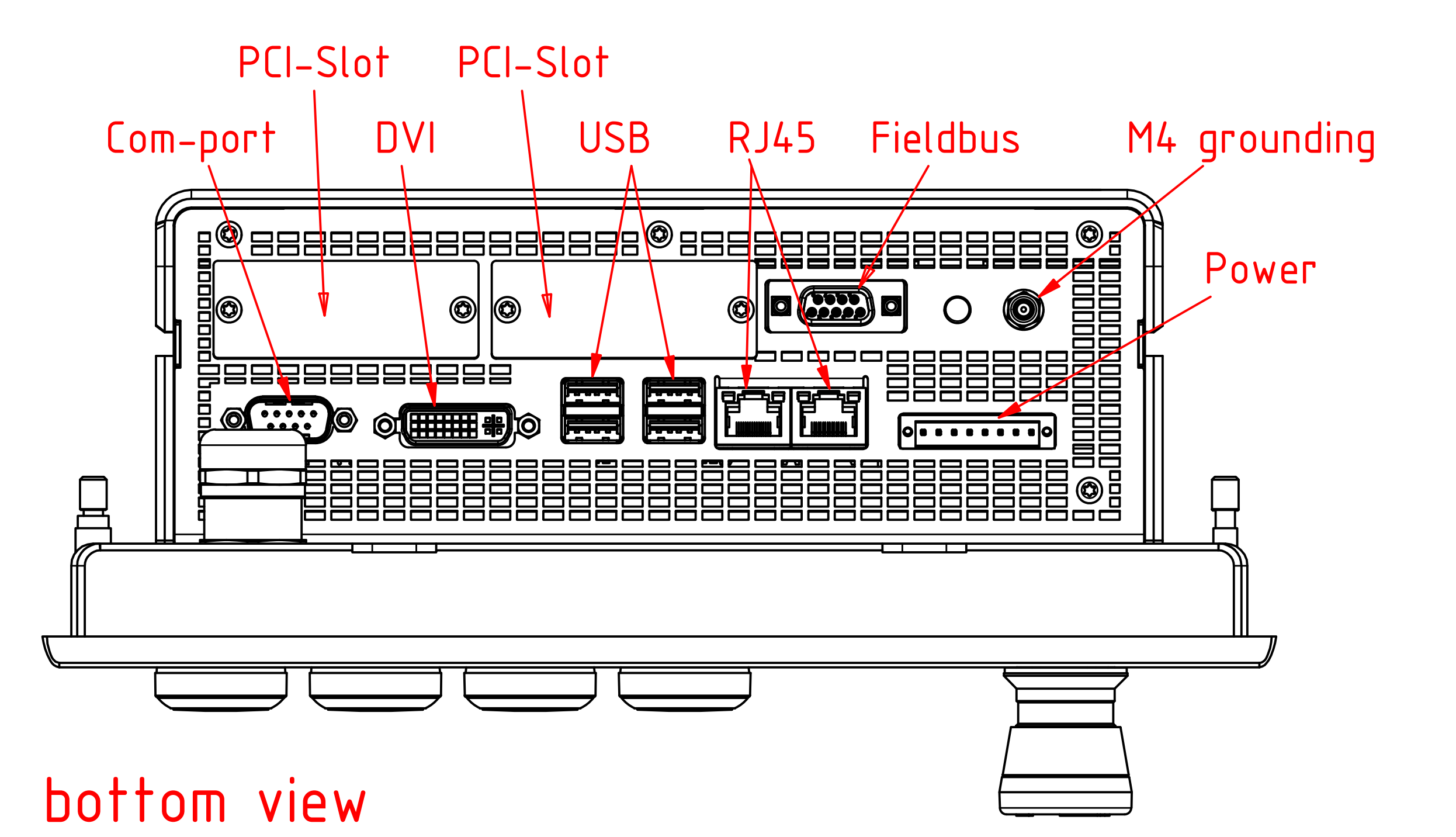
front view



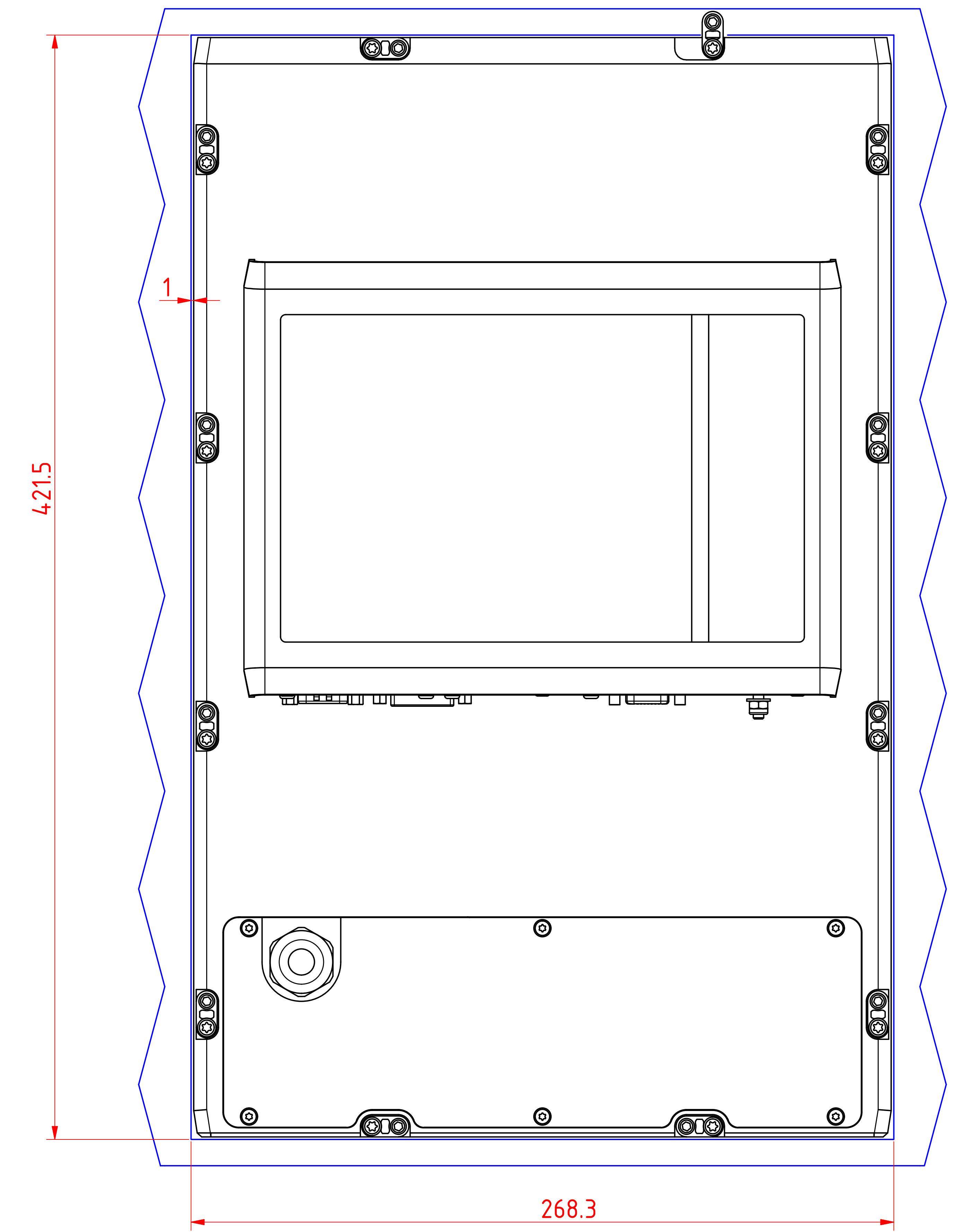
scale ( 1 : 2 )



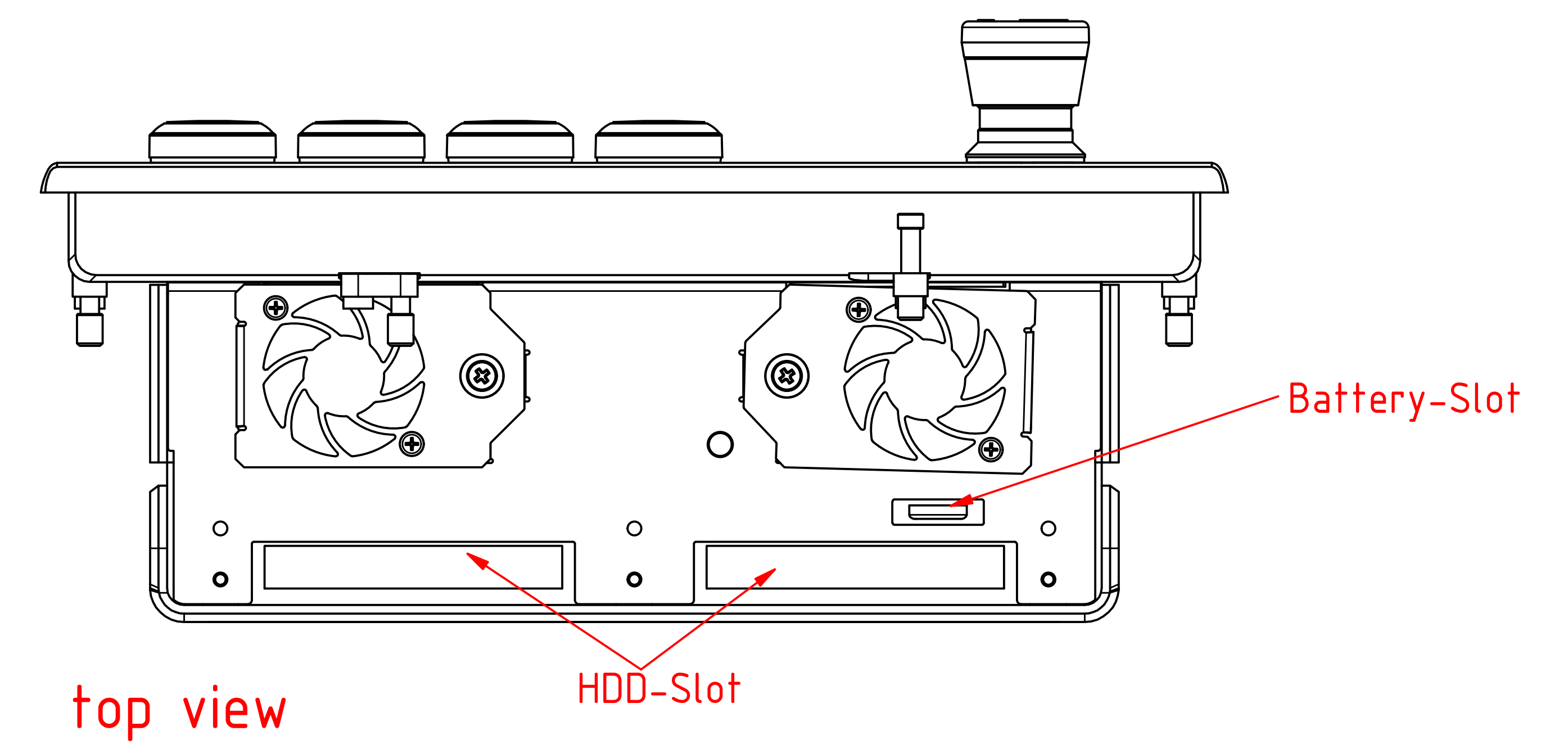
left view



bottom view



cut out dimensions: 421.5mm x 268.3mm  
rear view



top view