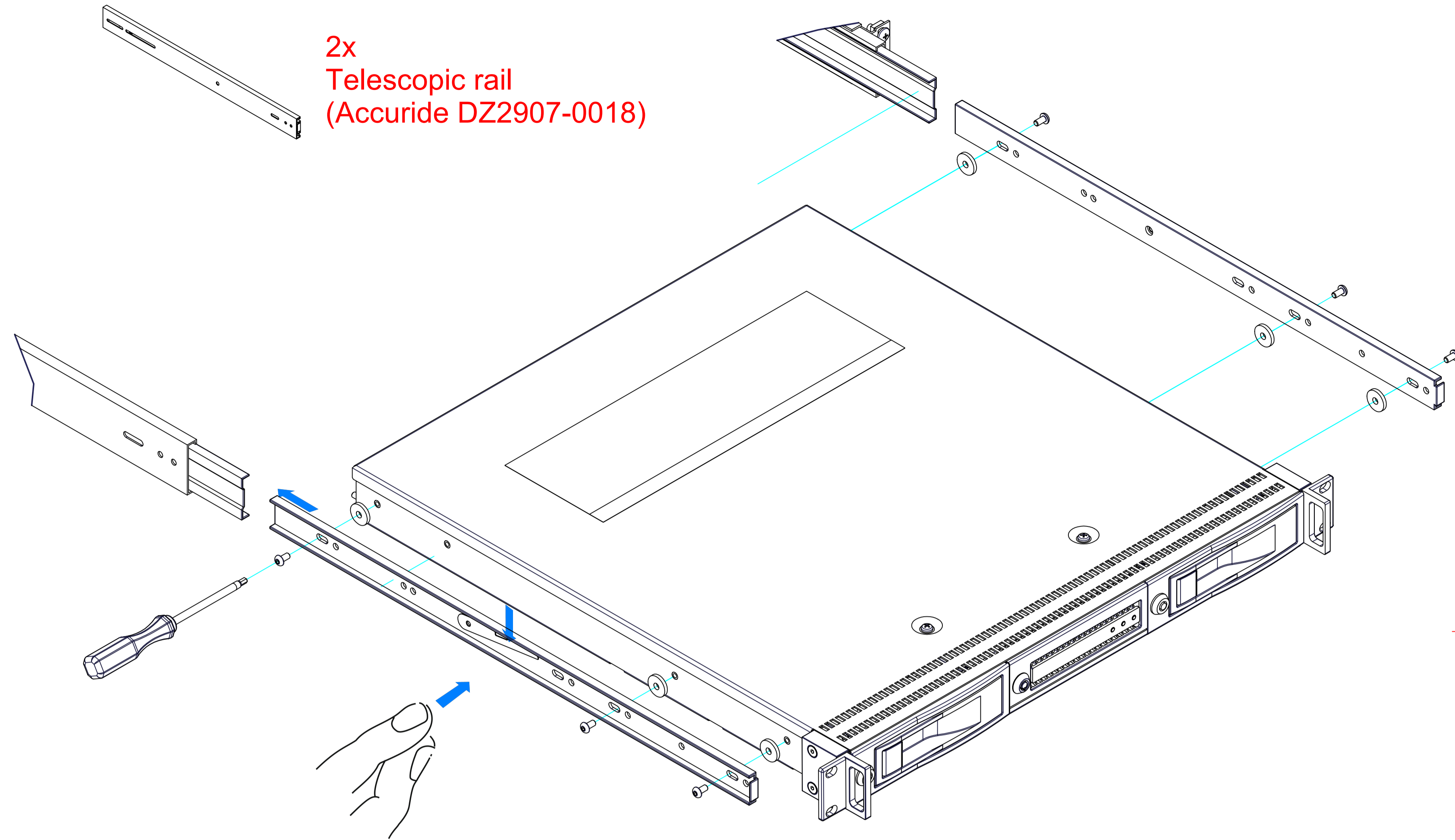


1. 6x Washer (plastic) A:4,9 B:15,9 C:2,5 (Skiffy 003 0403 000 01)

6x ISO 7380 - M4x8 - A2 (with hexagon socket)

2x Telescopic rail (Accuride DZ2907-0018)

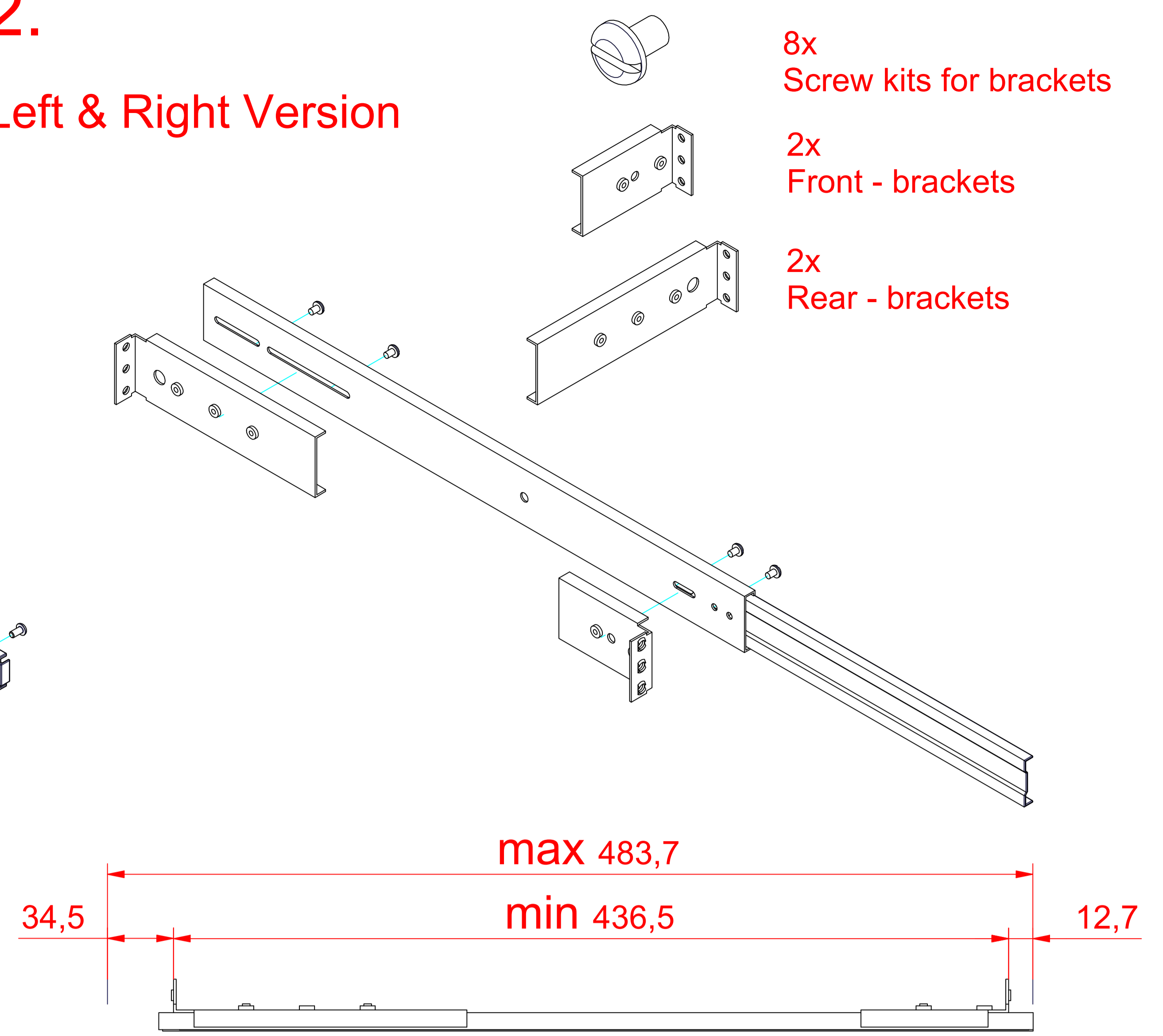


2. Left & Right Version

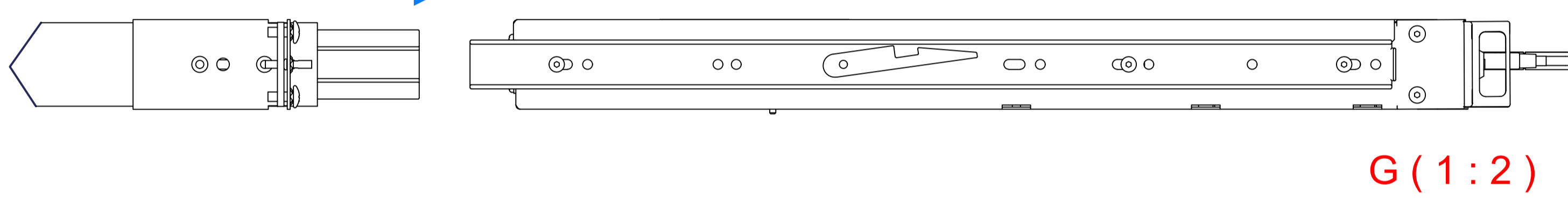
8x Screw kits for brackets

2x Front - brackets

2x Rear - brackets

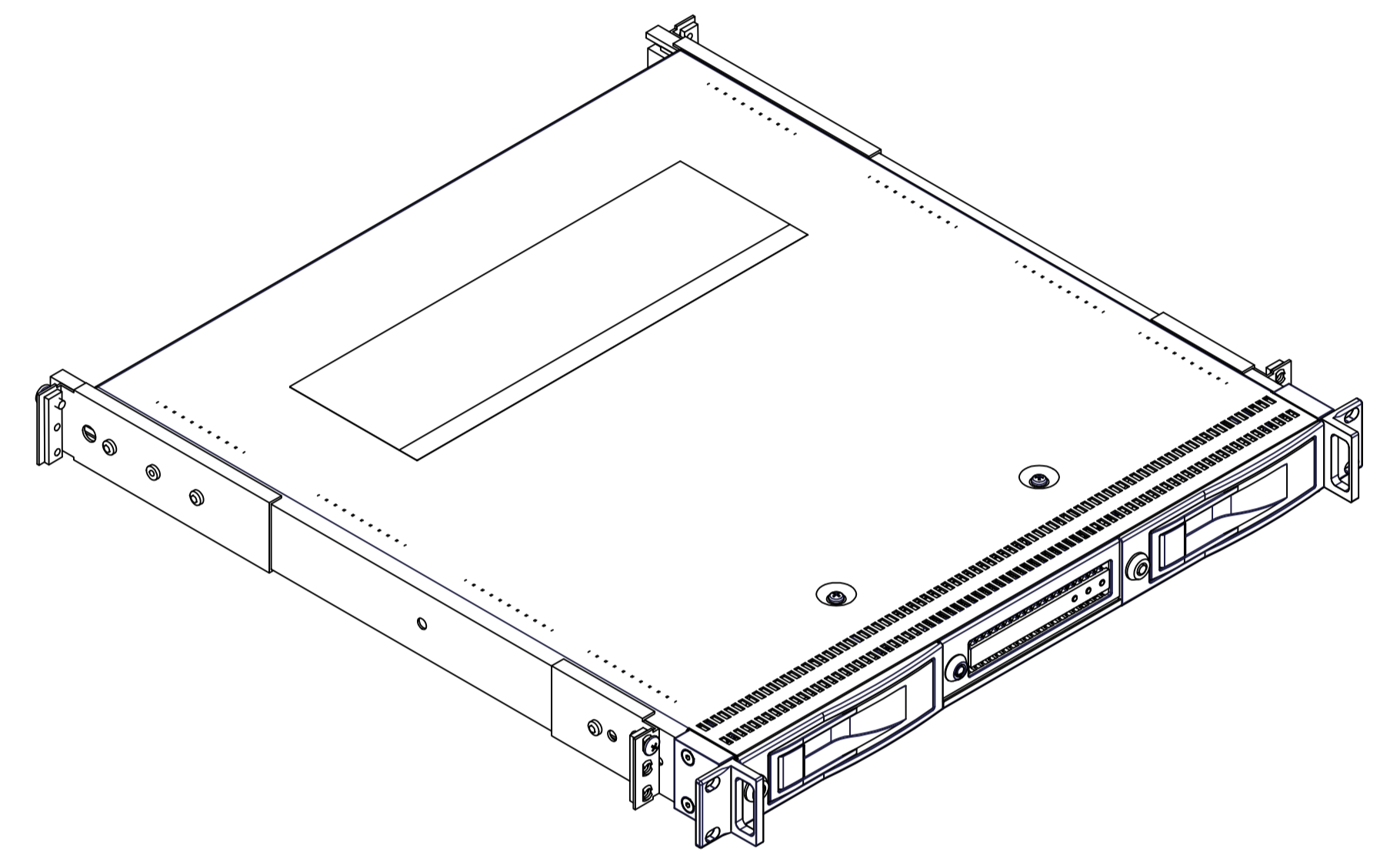


3. Telescopic rail with brackets



G (1:2)

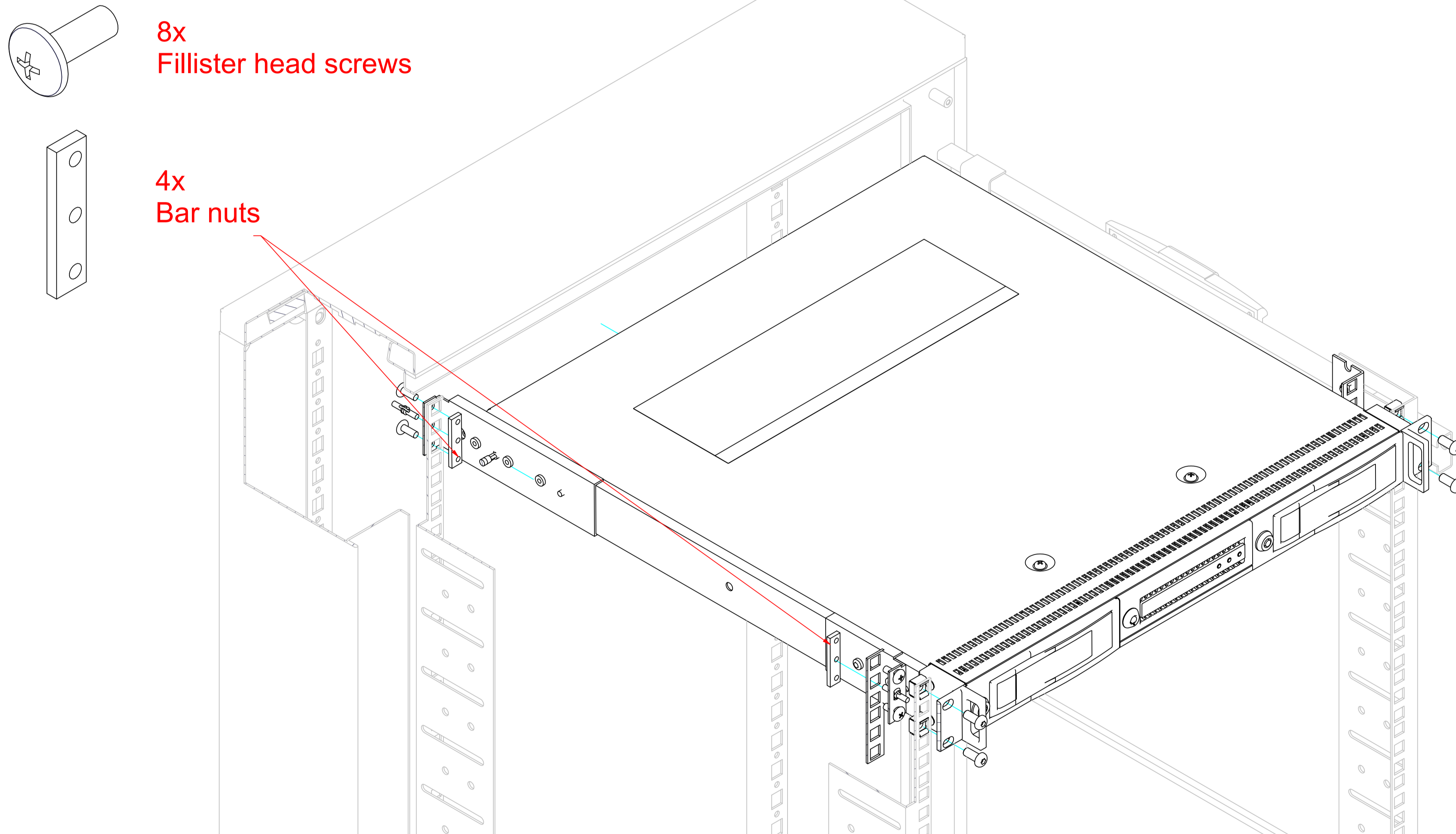
4.



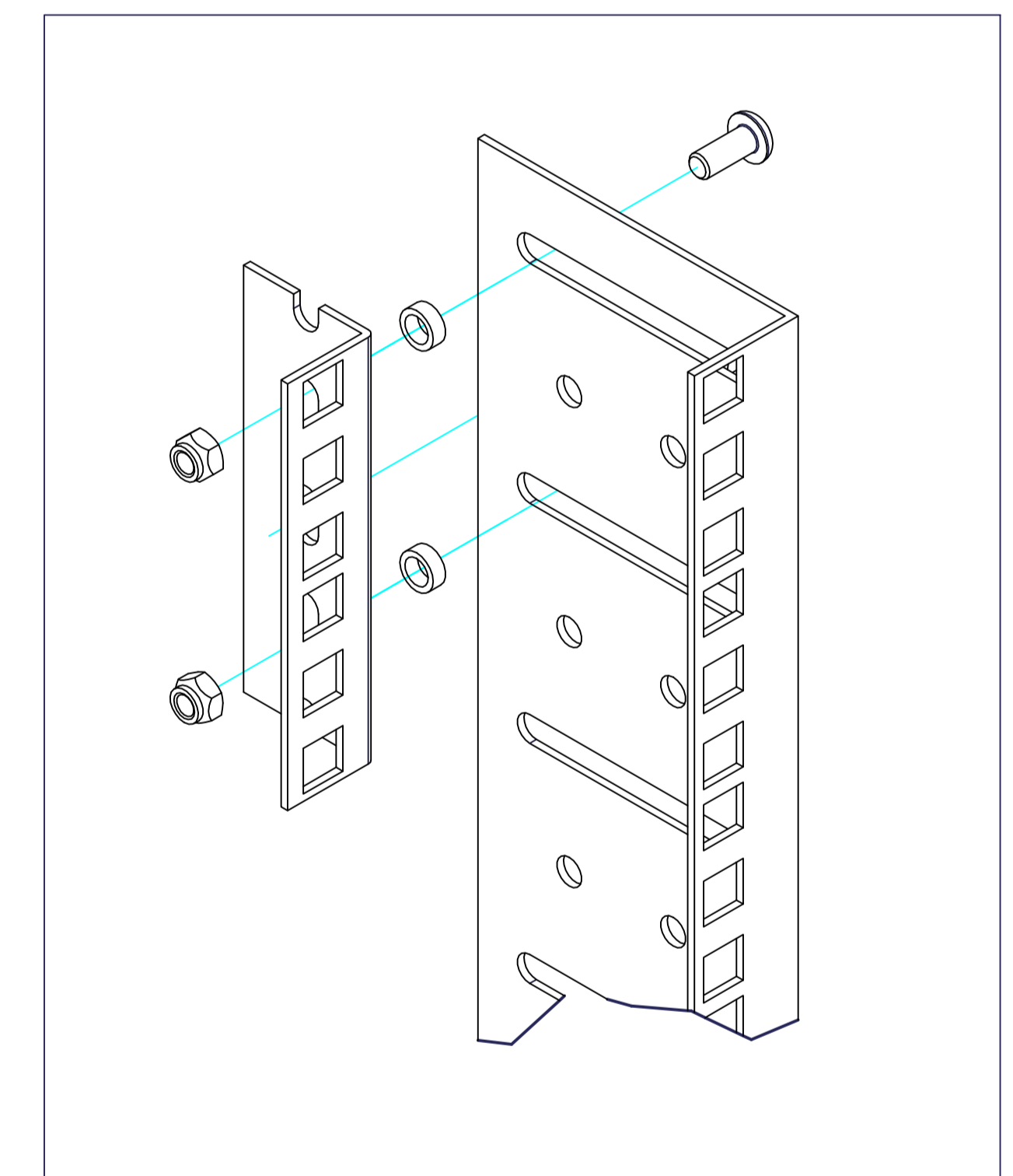
5. Drawer Slide Bracket - Set (Accuride: DZ63374-4)

8x Fillister head screws

4x Bar nuts



5-A



5-A

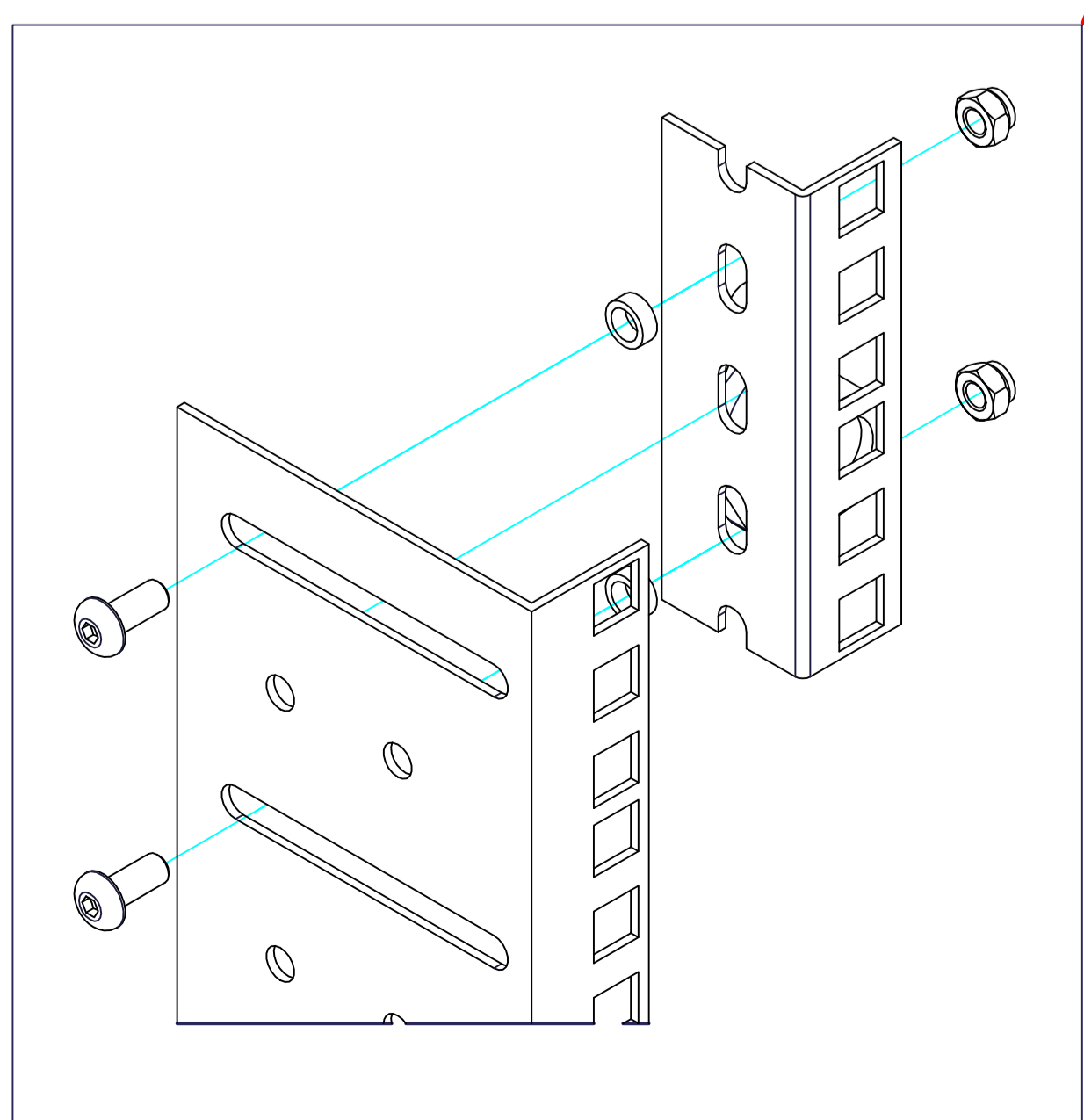
following material is not included in C9900-M712

4x Spacer: A:8,0 B:3,0 C:5,6 (Ettinger: 05.65.033)

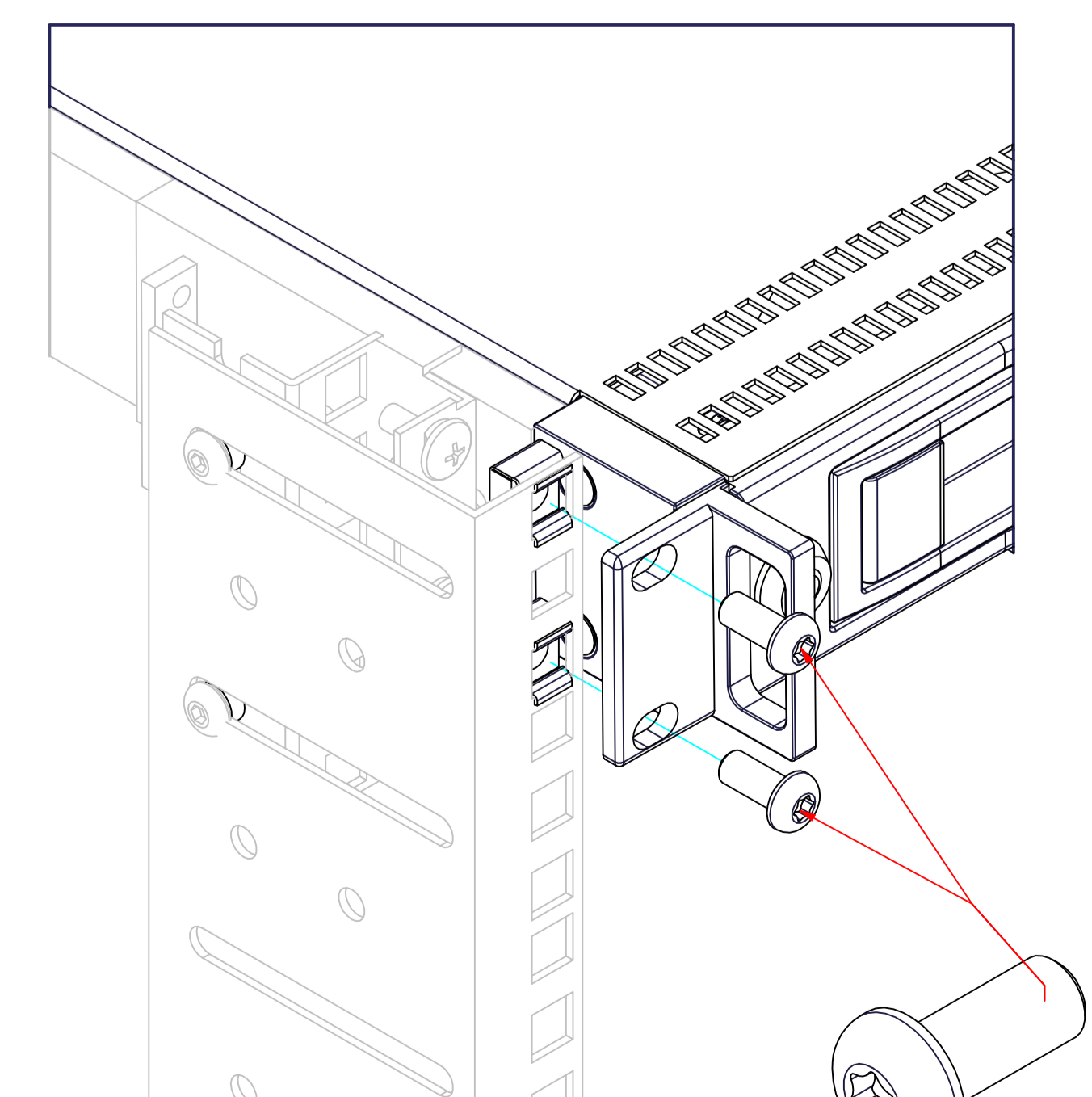
4x Hex nut: DIN 985 - M5 - A2 (Self locking)

4x ISO 7380 - M5x12 - A2 (with hexagon socket)

2x 2HE - Profile rail (Adam Hall GmbH: 61535B2)



6.



4x ISO 7380 - M6x14 - A2 (with torx socket)

C9900-M712 telescopic rails and bracket set