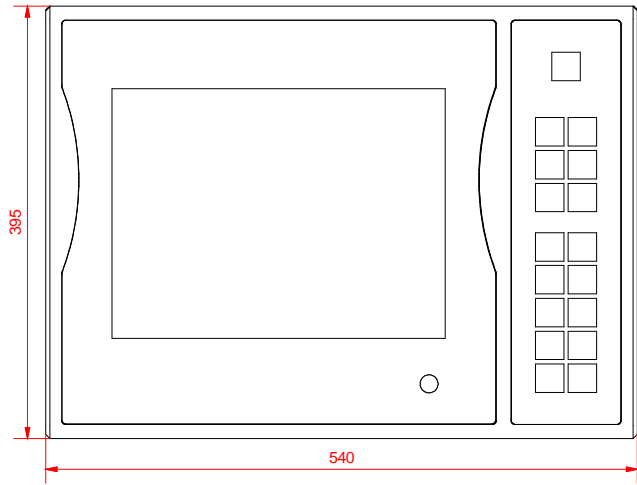
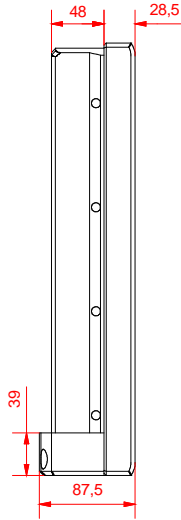


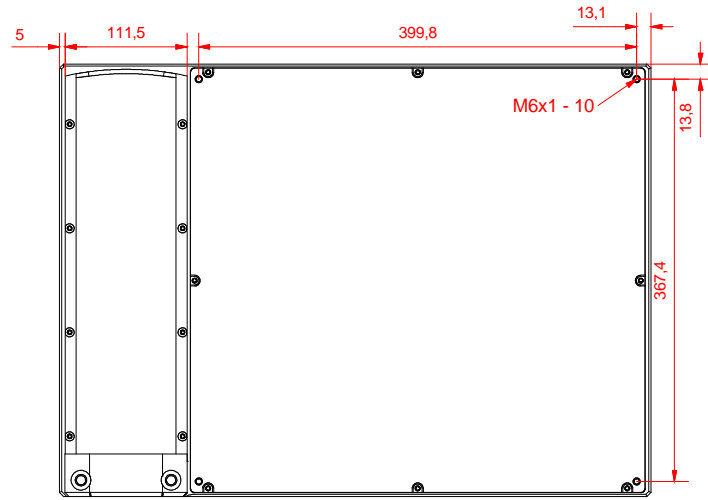
bottom view



front view



left view



rear view

CP7002 - 0010 - E647

arm adapter for  
Rolec - Tara - suspension adaption  
146.025.019

main dimensions and  
fixing points

dimensions in mm

