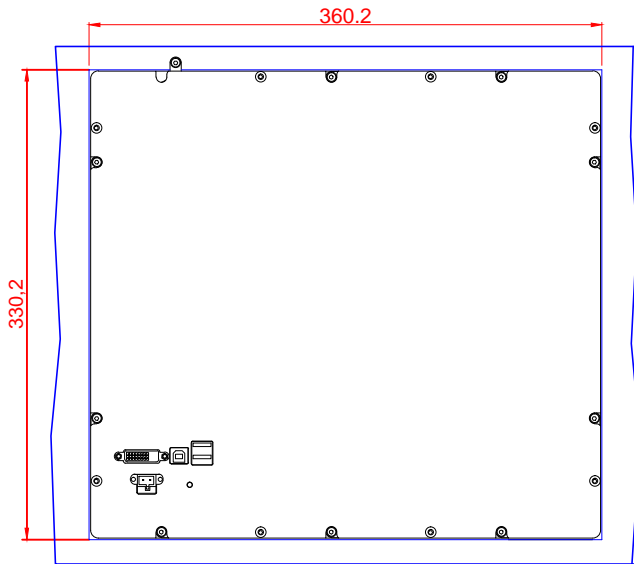


CP6801-0011

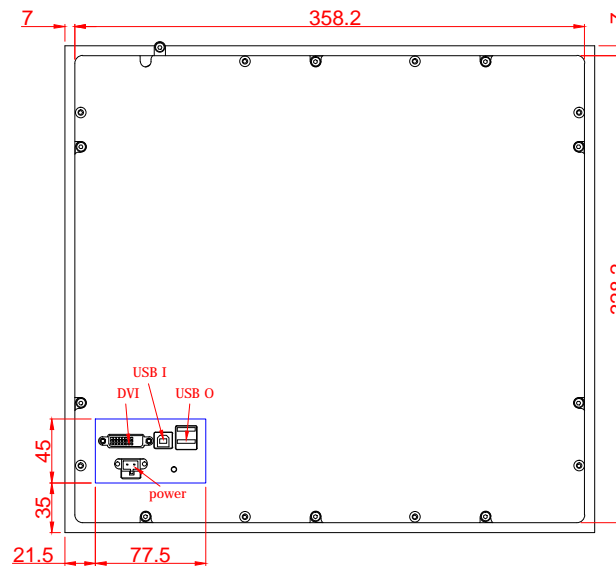
main dimensions and
fixing points

dimensions in mm

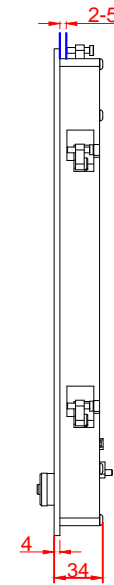


cut out dimensions: 330,2mm x 360,2mm

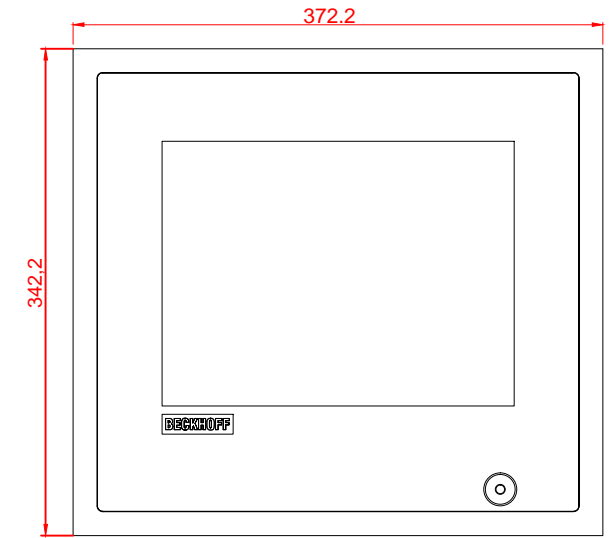
rear view
with
install measure



rear view



left view



front view