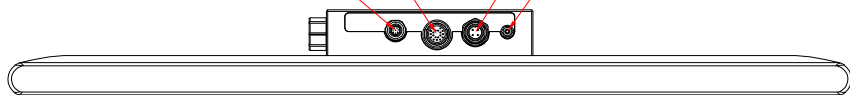


CP3924-0000
with
C9900-E274

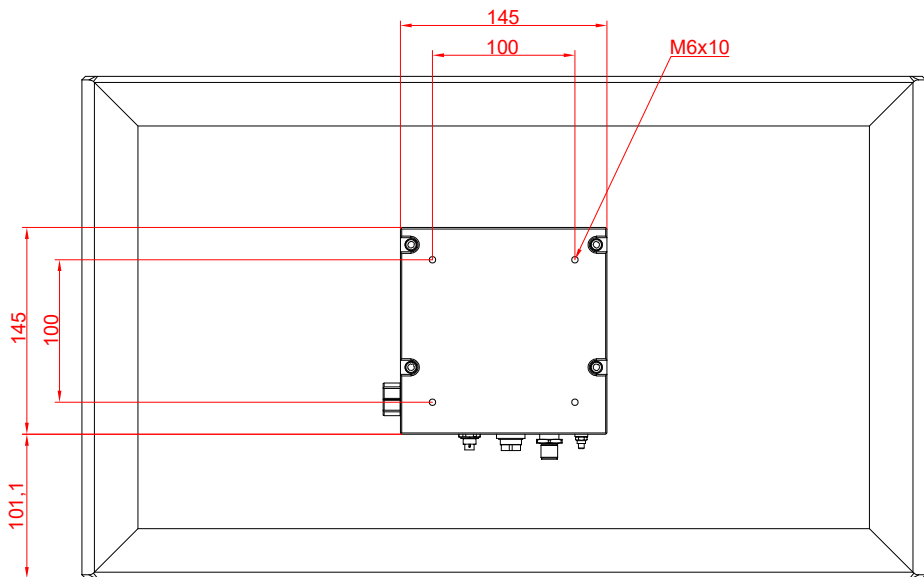
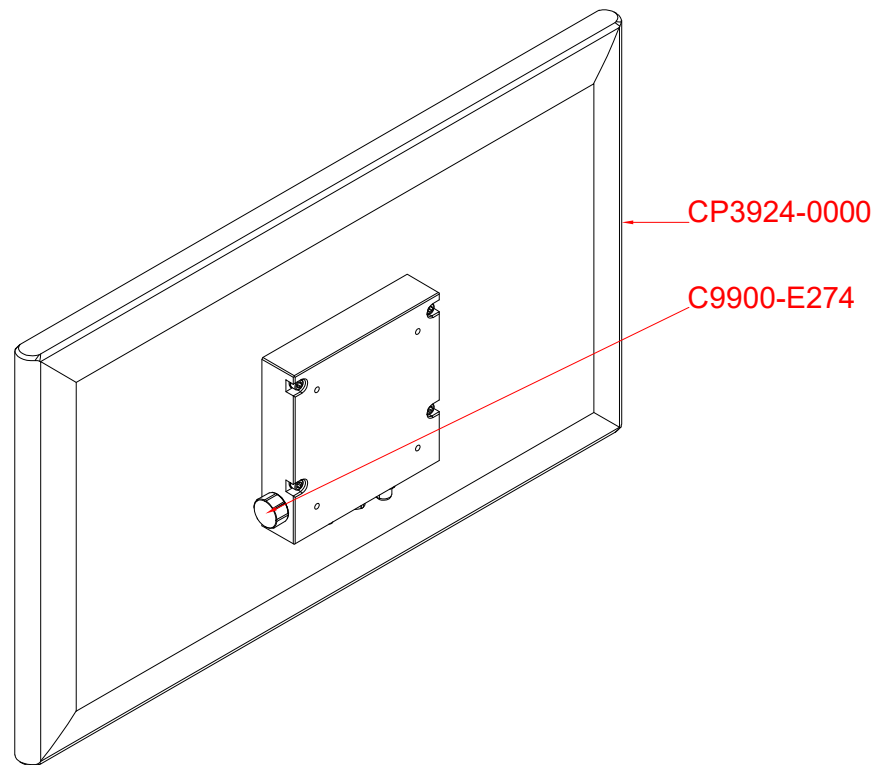
main dimensions and
fixing points

dimensions in mm

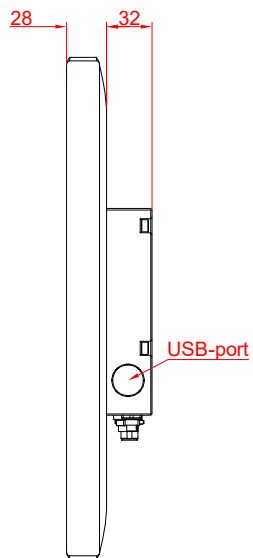
DVI-port
USB-port
power
M4 grounding



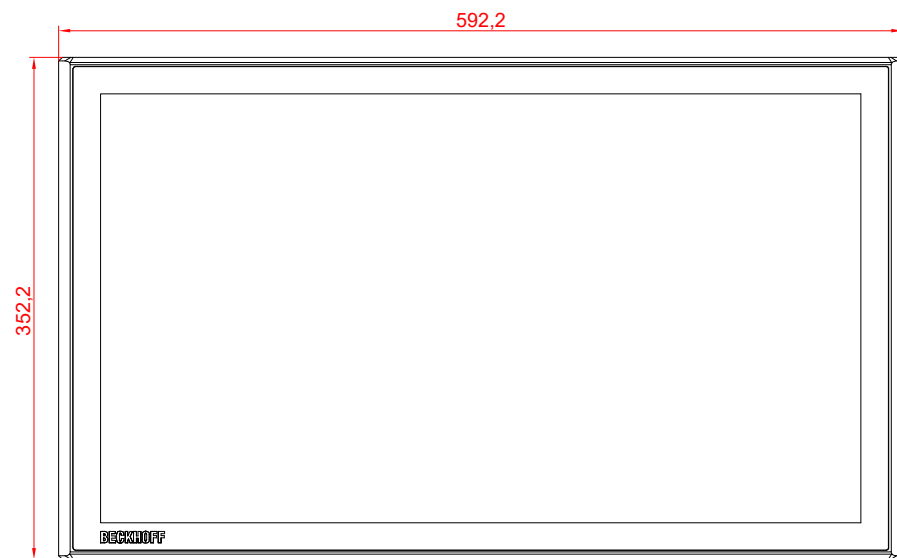
bottom view



rear view



side view



front view