

CP3921-0000
with
C9900-M750
C9900-E274
C9900-M406

main dimensions and
fixing points

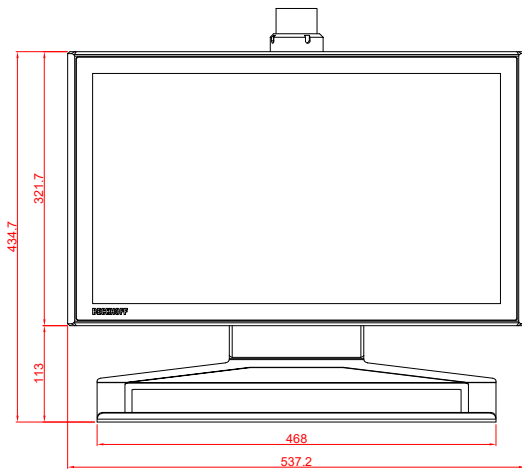
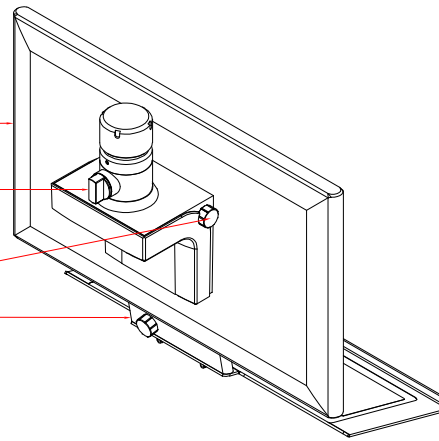
dimensions in mm

CP3921-0000

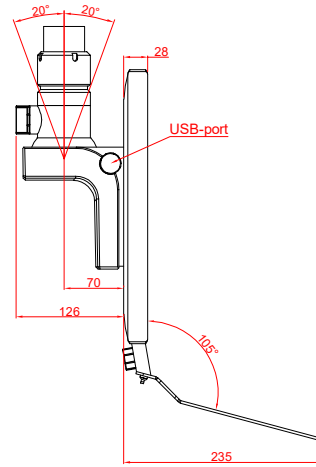
C9900-M750

C9900-E274

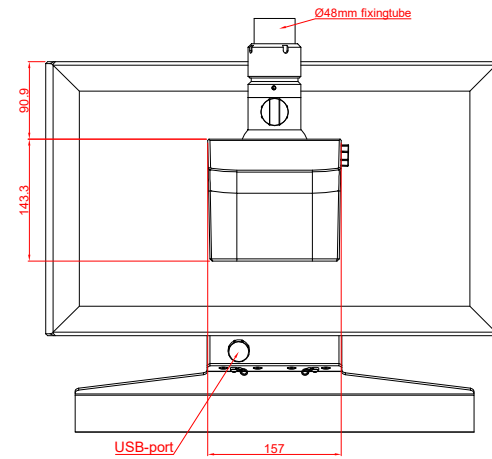
C9900-M406



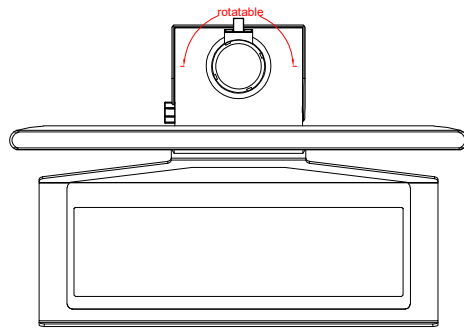
front view



side view



rear view



top view

