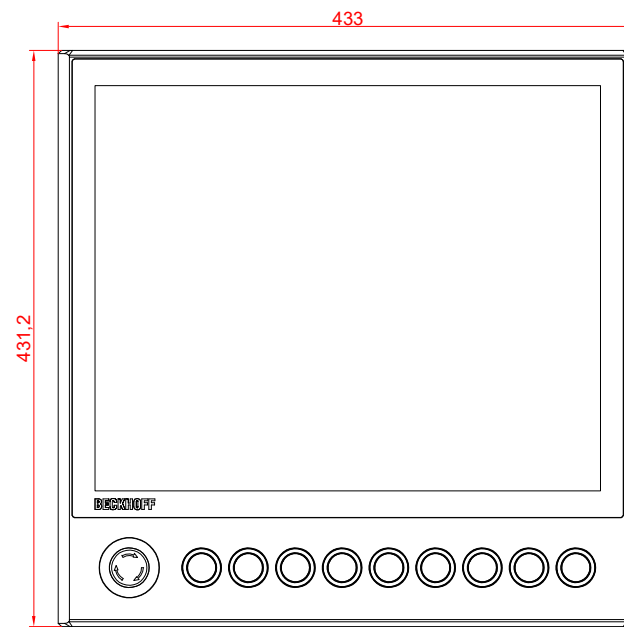
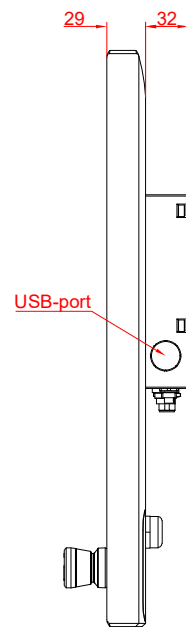
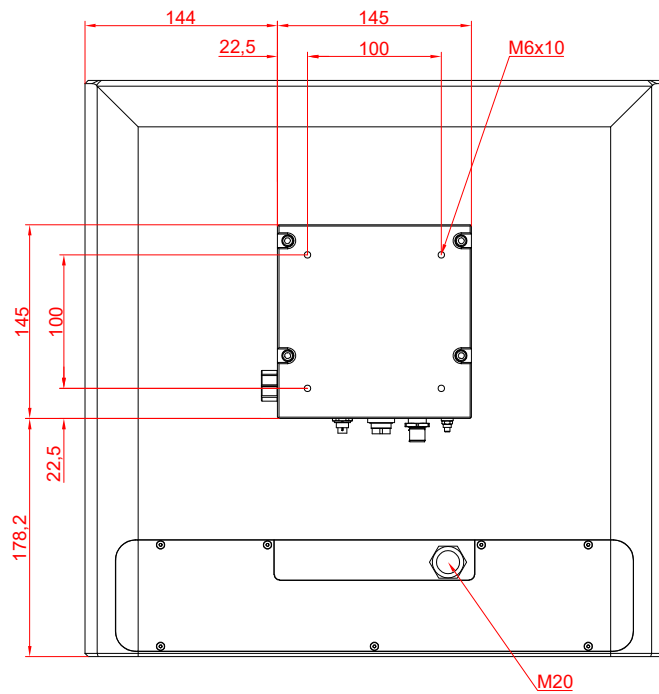
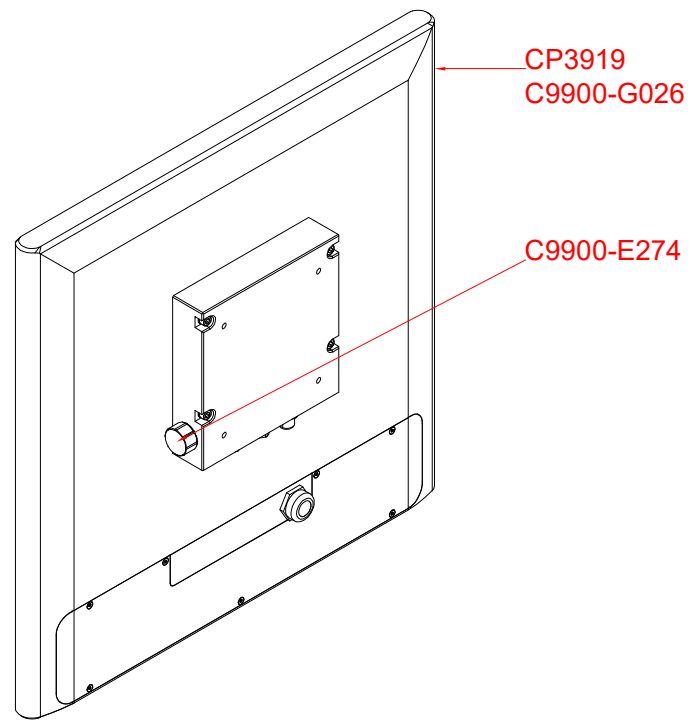
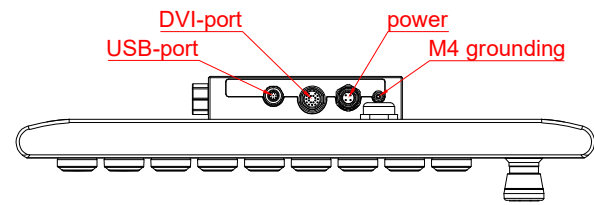


CP3919-0000  
with  
C9900-G026  
C9900-E274

main dimensions and  
fixing points

dimensions in mm



rear view

side view

front view