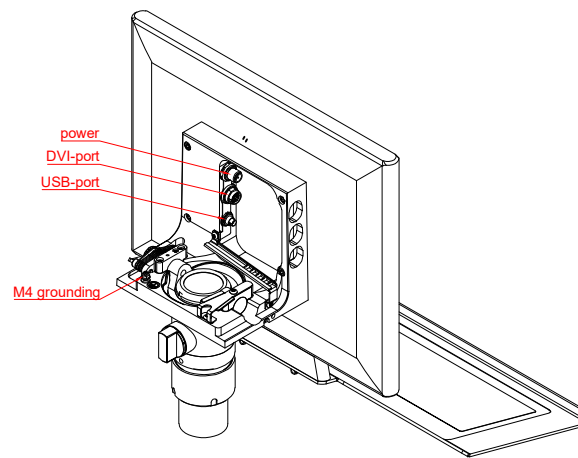
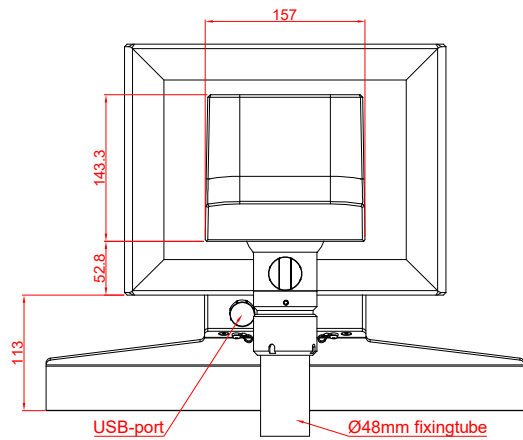


bottom view

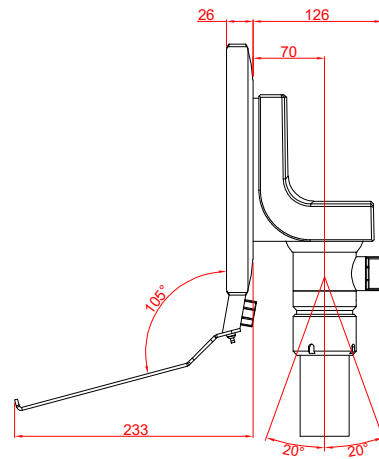


power  
DVI-port  
USB-port  
M4 grounding

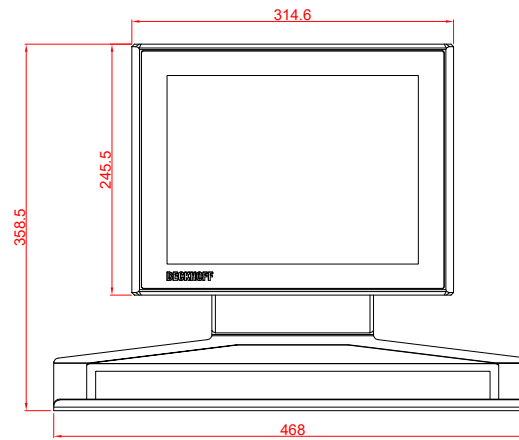


rear view

USB-port  
Ø48mm fixingtube



side view

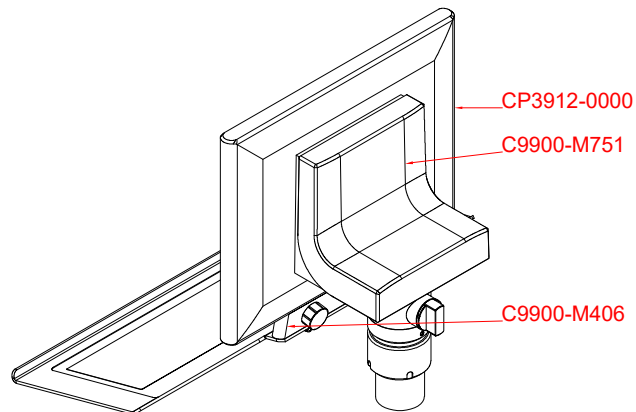


front view

CP3912-0000  
with  
C9900-M751  
C9900-M406

main dimensions and  
fixing points

dimensions in mm



CP3912-0000  
C9900-M751  
C9900-M406