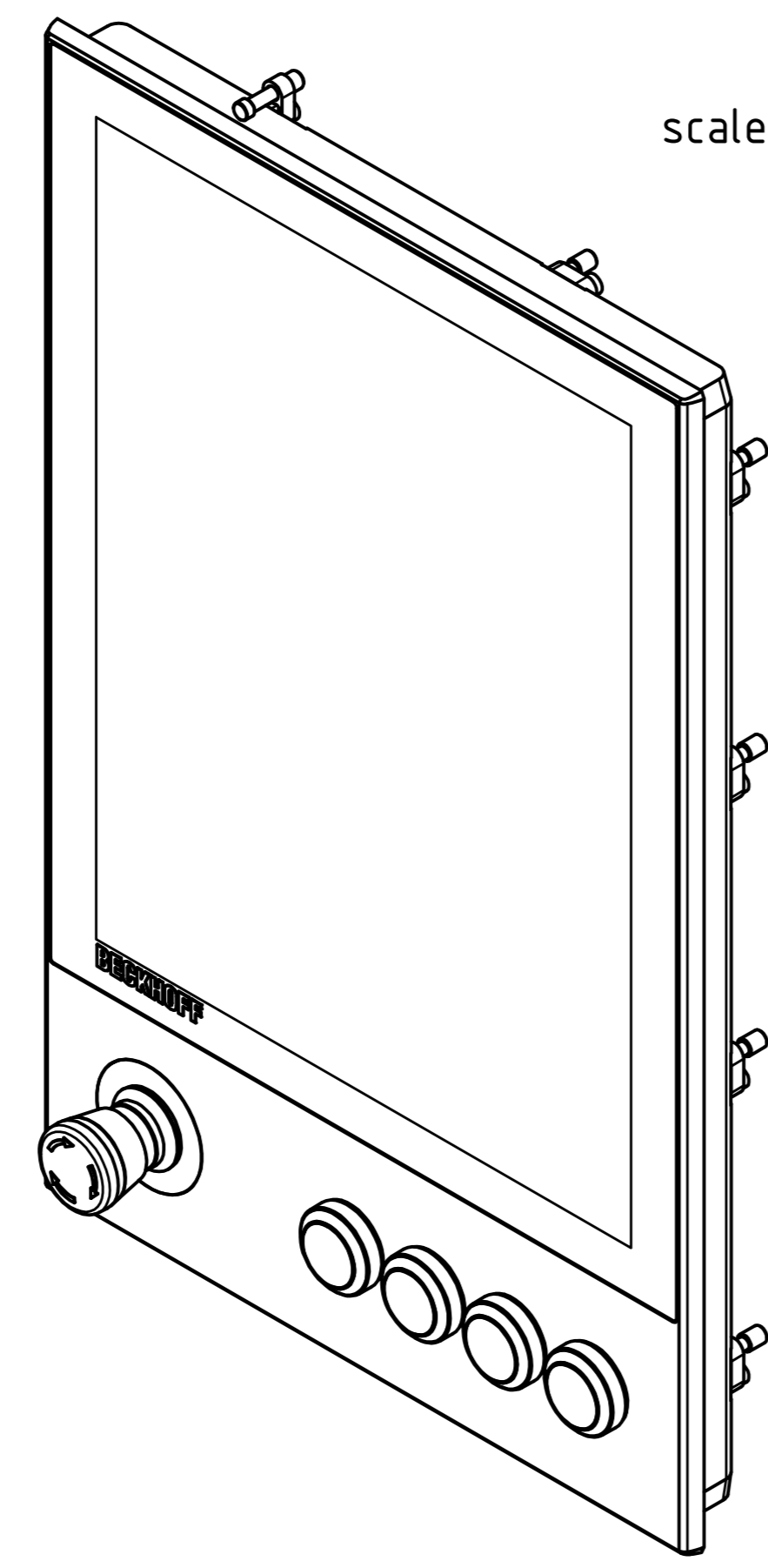
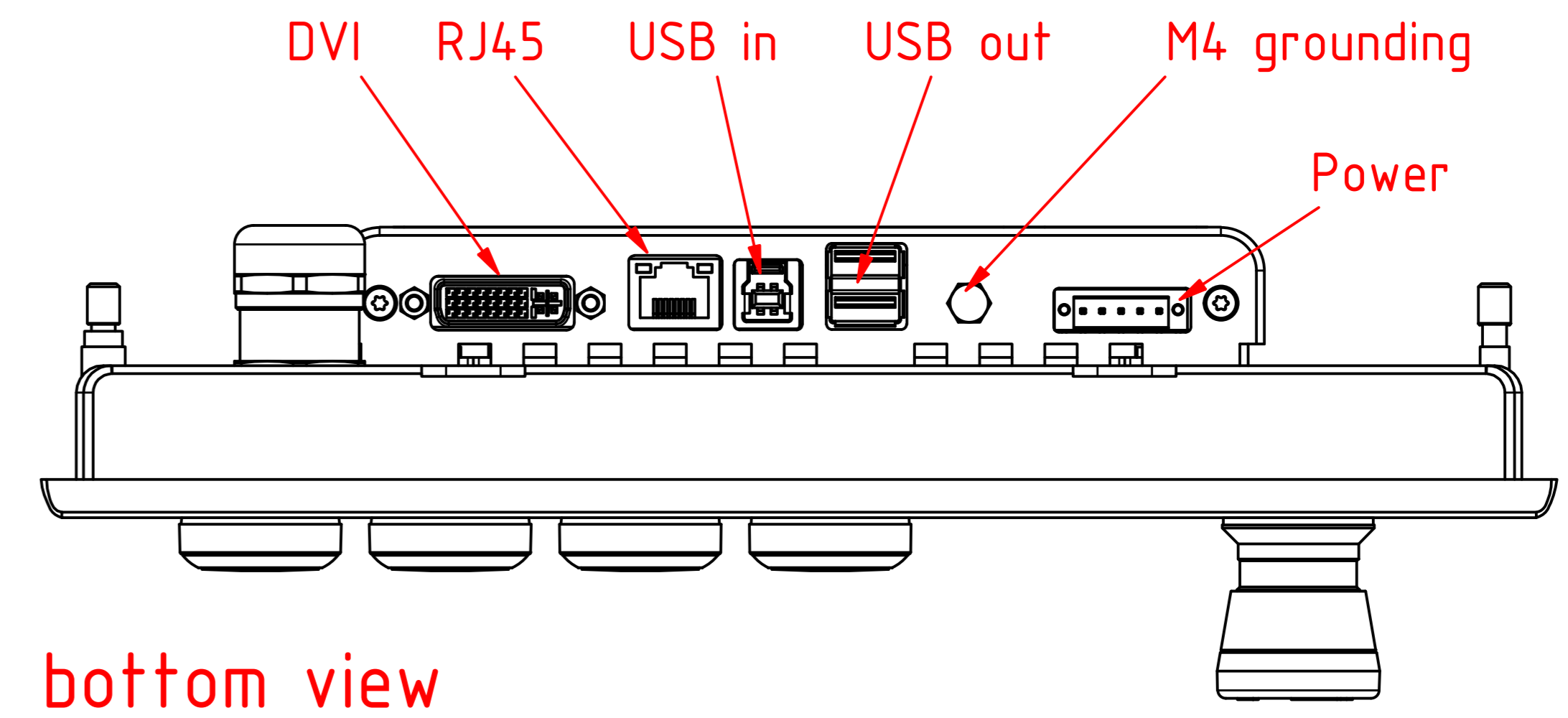
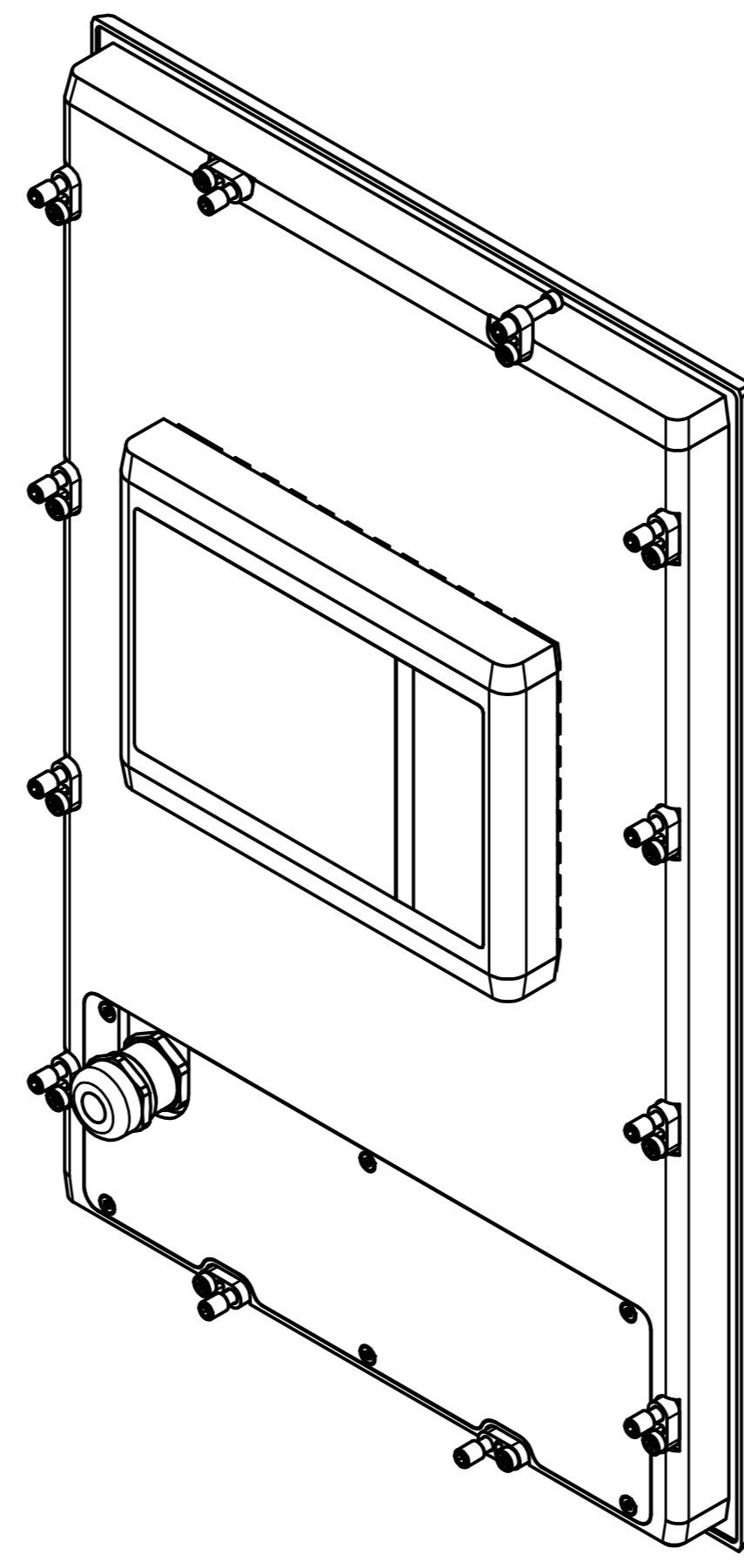


CP2915-G013

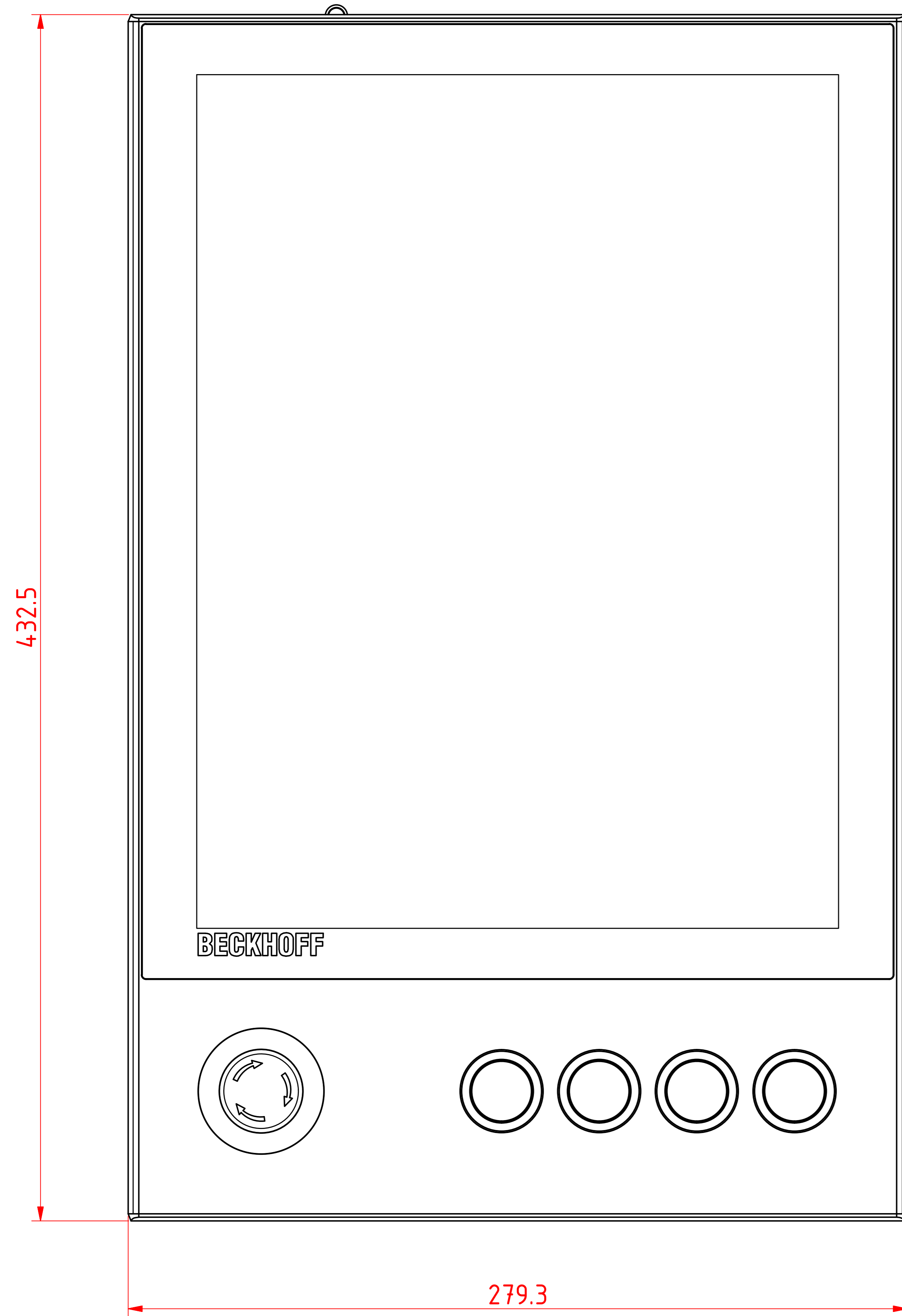
main dimensions and
fixing points
dimensions in mm



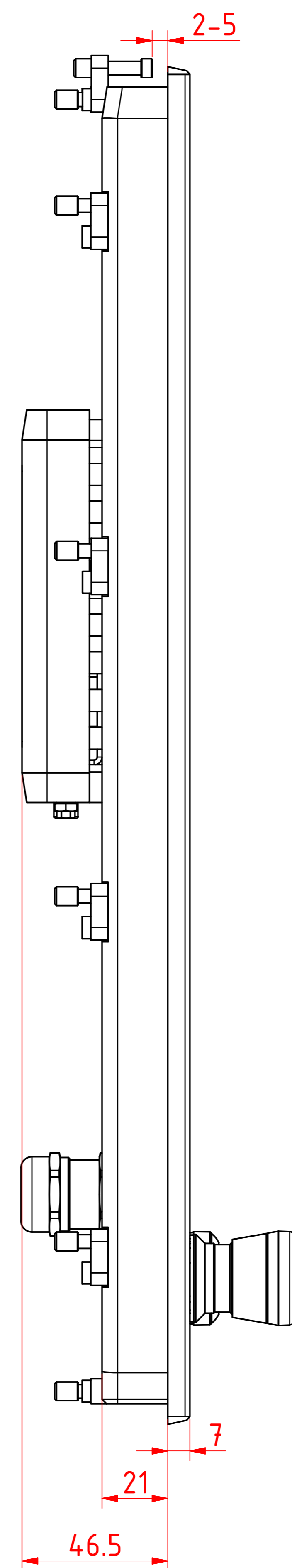
scale (1 : 2)



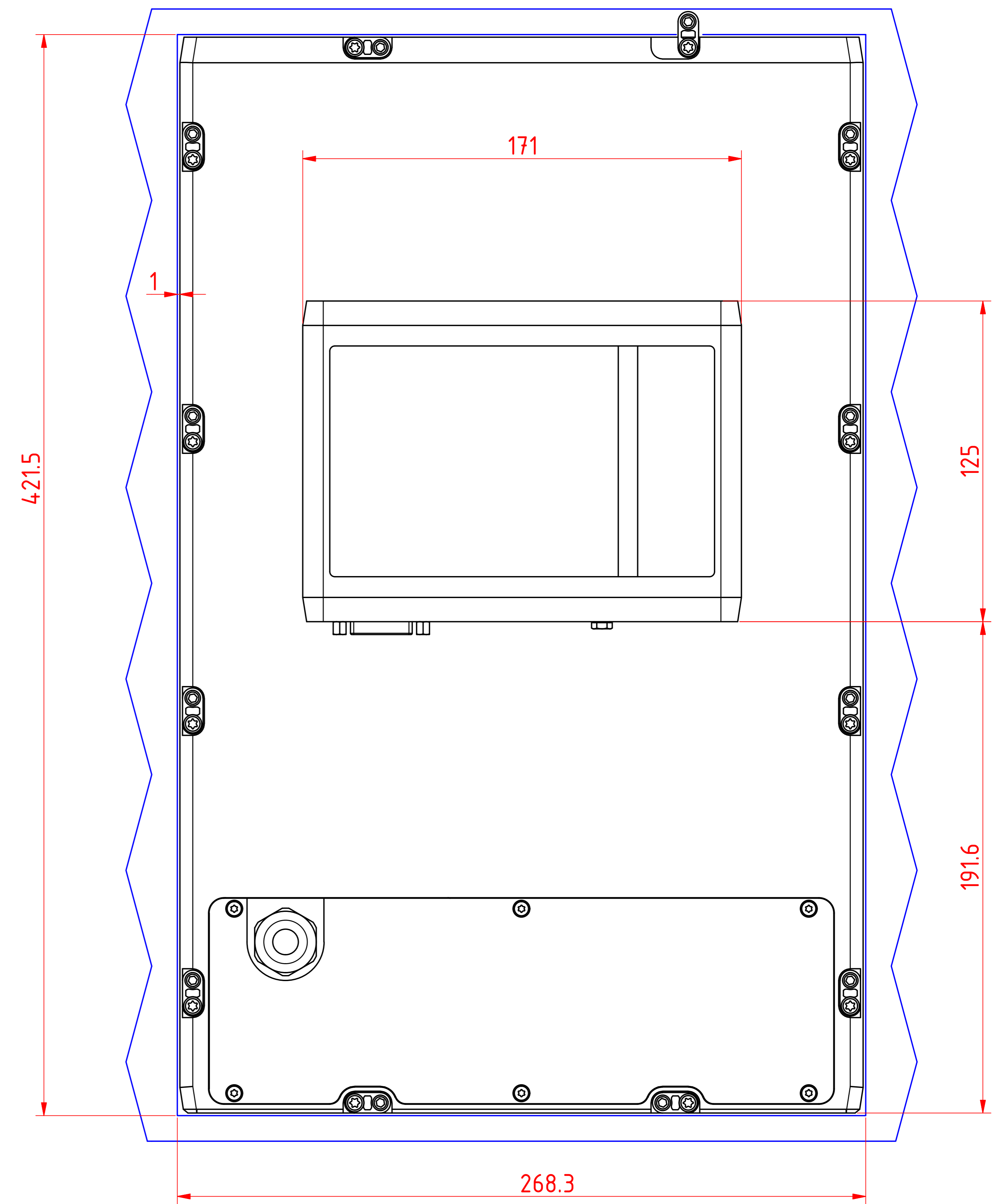
bottom view



front view



left view



cut out dimensions: 421.5mm x 268.3mm
rear view