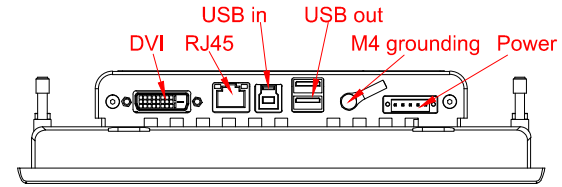


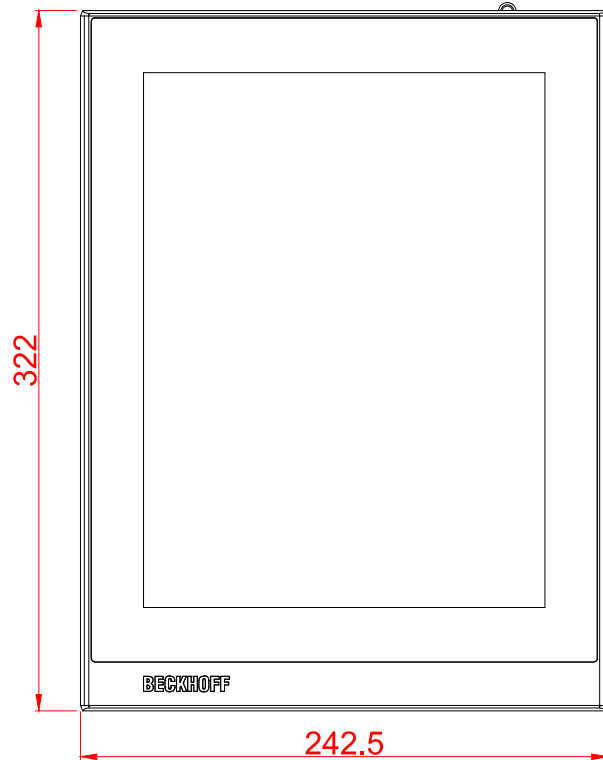
# CP2912-M575

main dimensions and  
fixing points

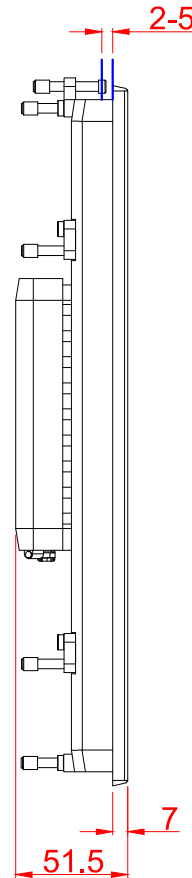
dimensions in mm



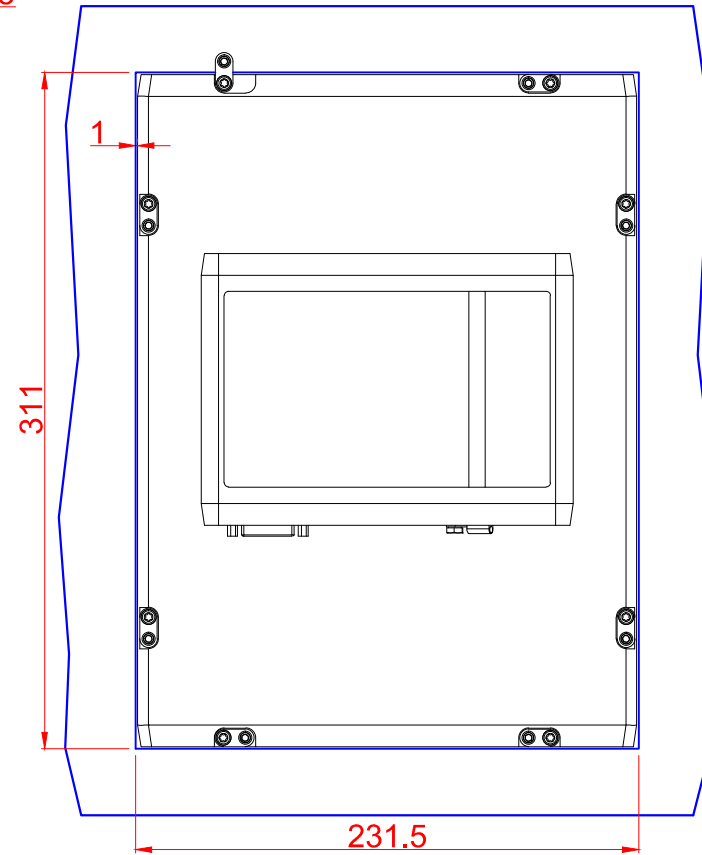
bottom view



front view



left view



cut out dimensions: 311mm x 231,5mm

rear view