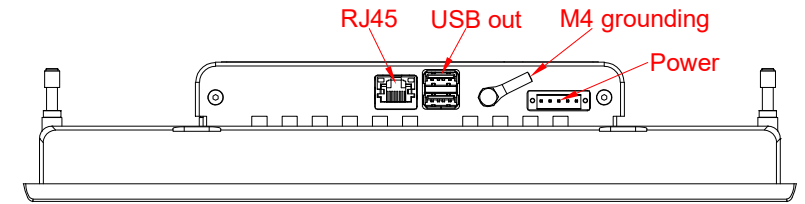


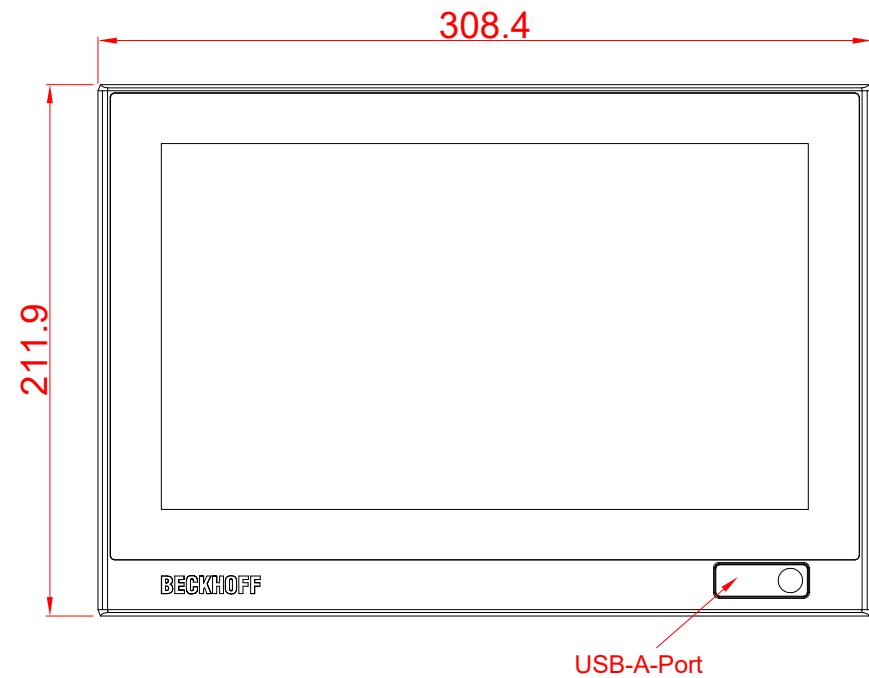
CP2911-0010-E268

main dimensions and  
fixing points

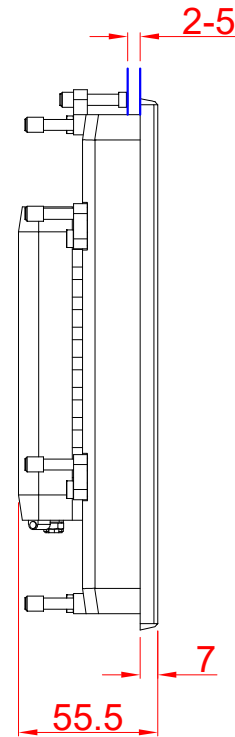
dimensions in mm



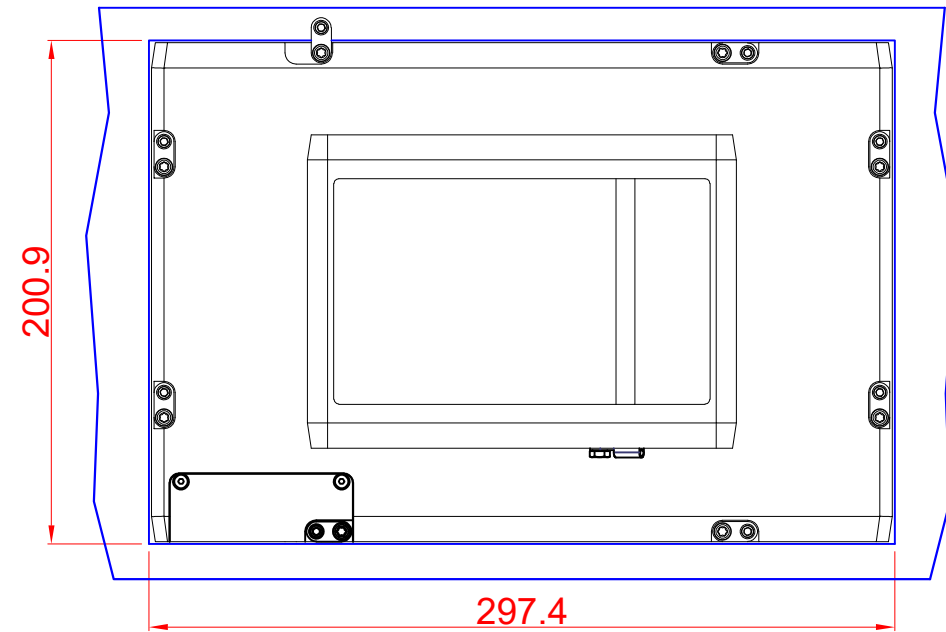
bottom view



front view



side view



cut out dimensions: 200,9mm x 297,4mm

rear view