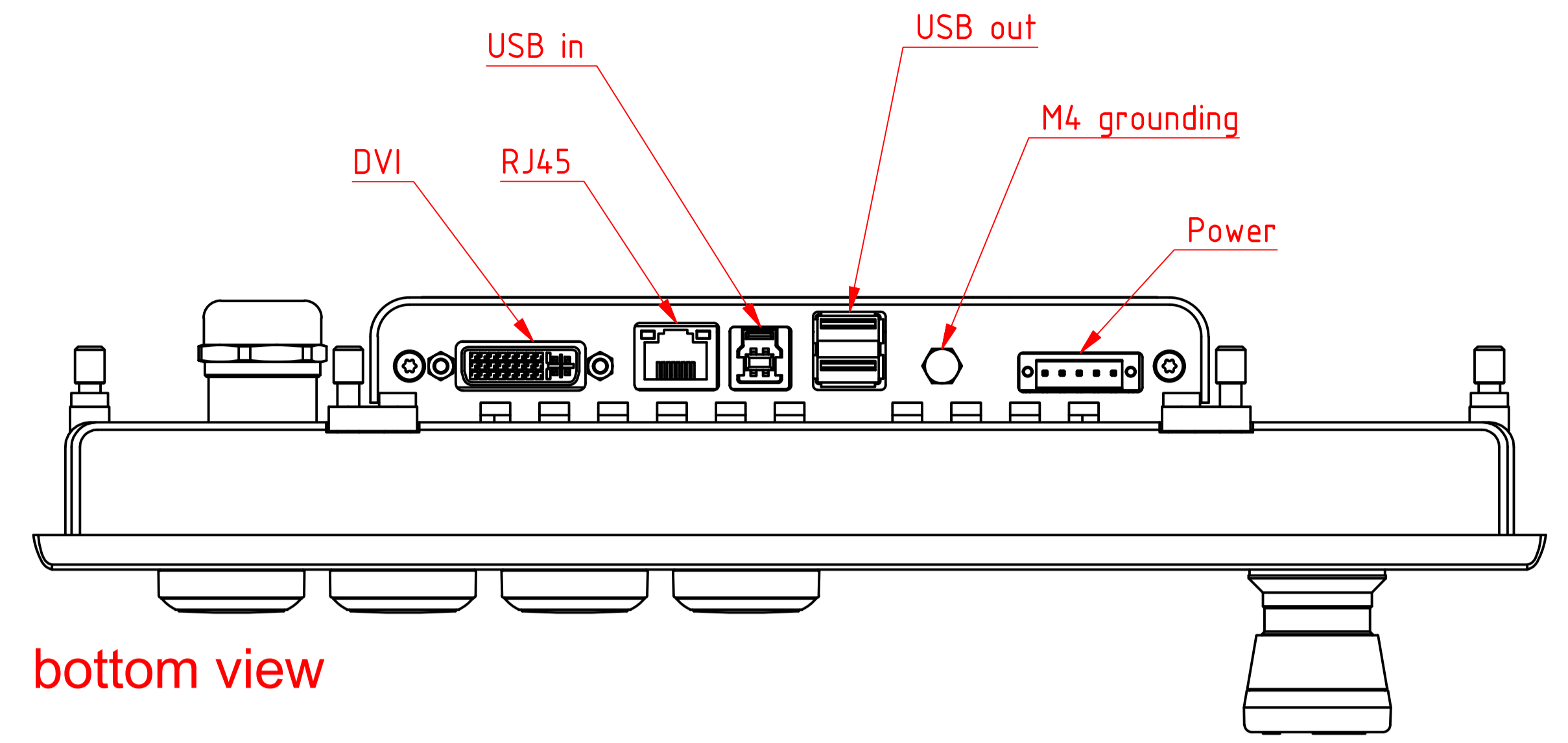
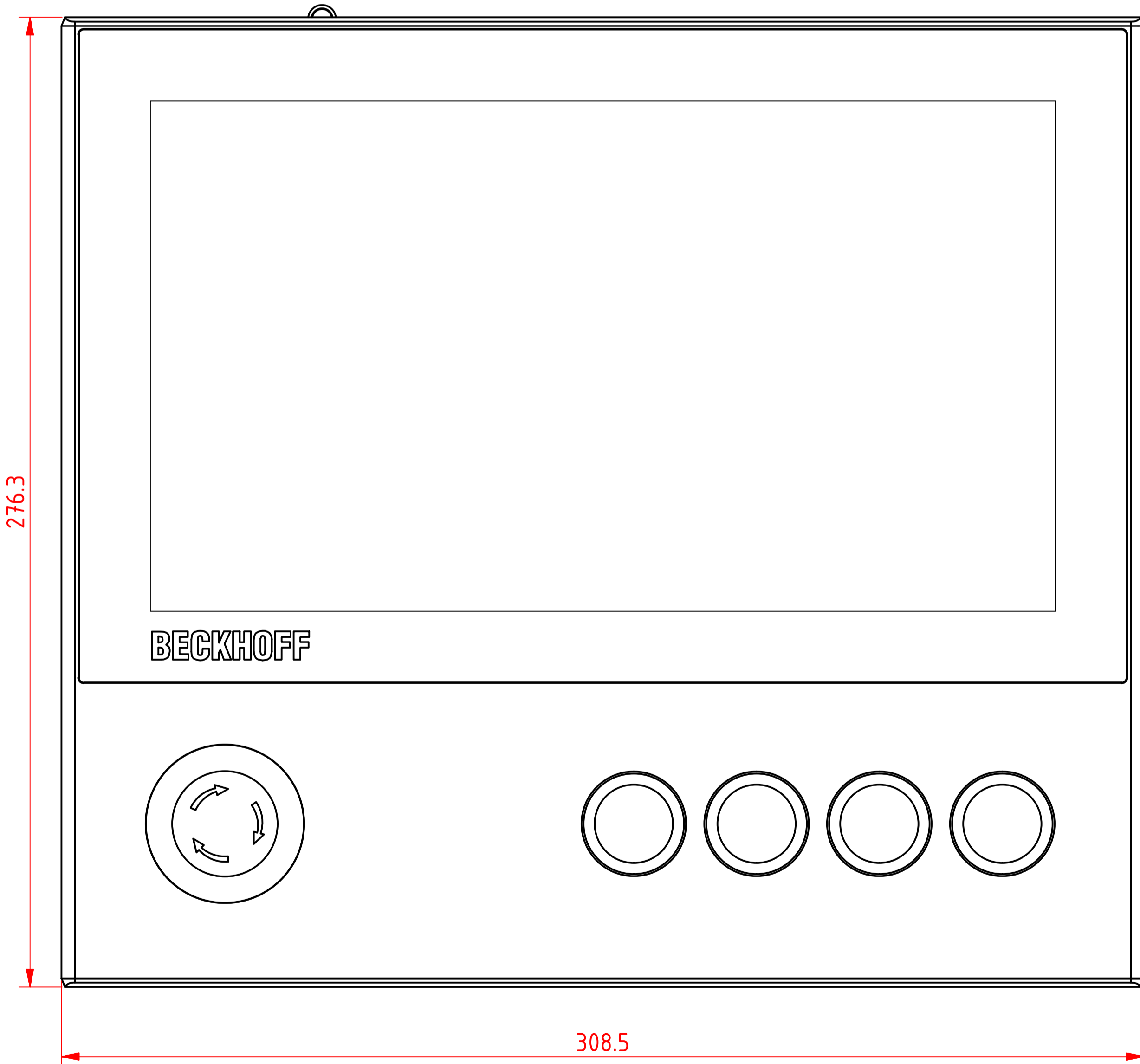


CP2911-G001
main dimensions and
fixing points

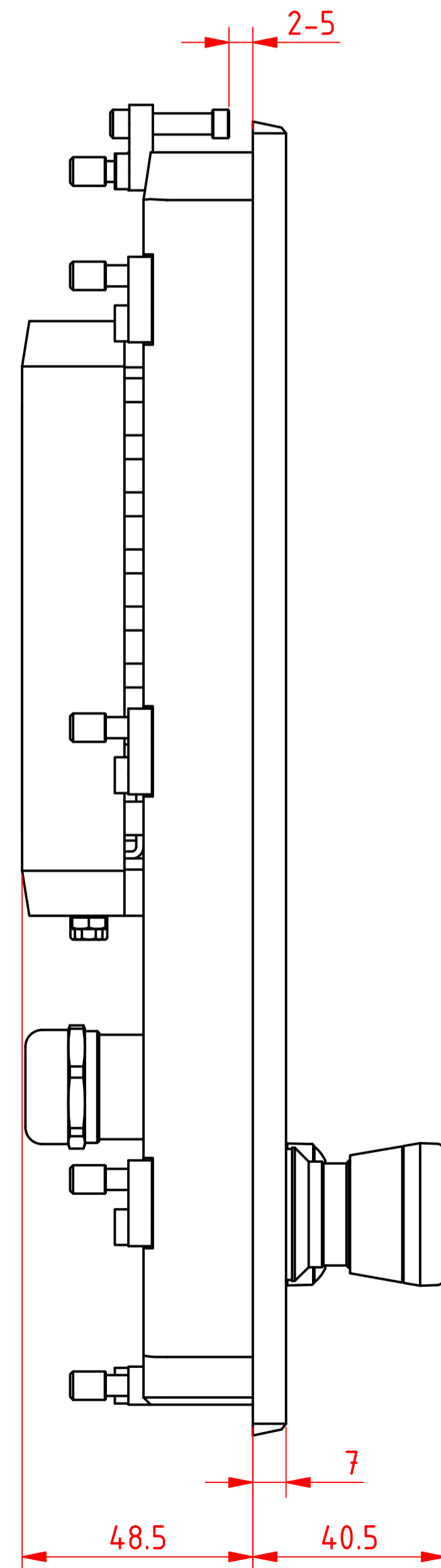
dimensions in mm



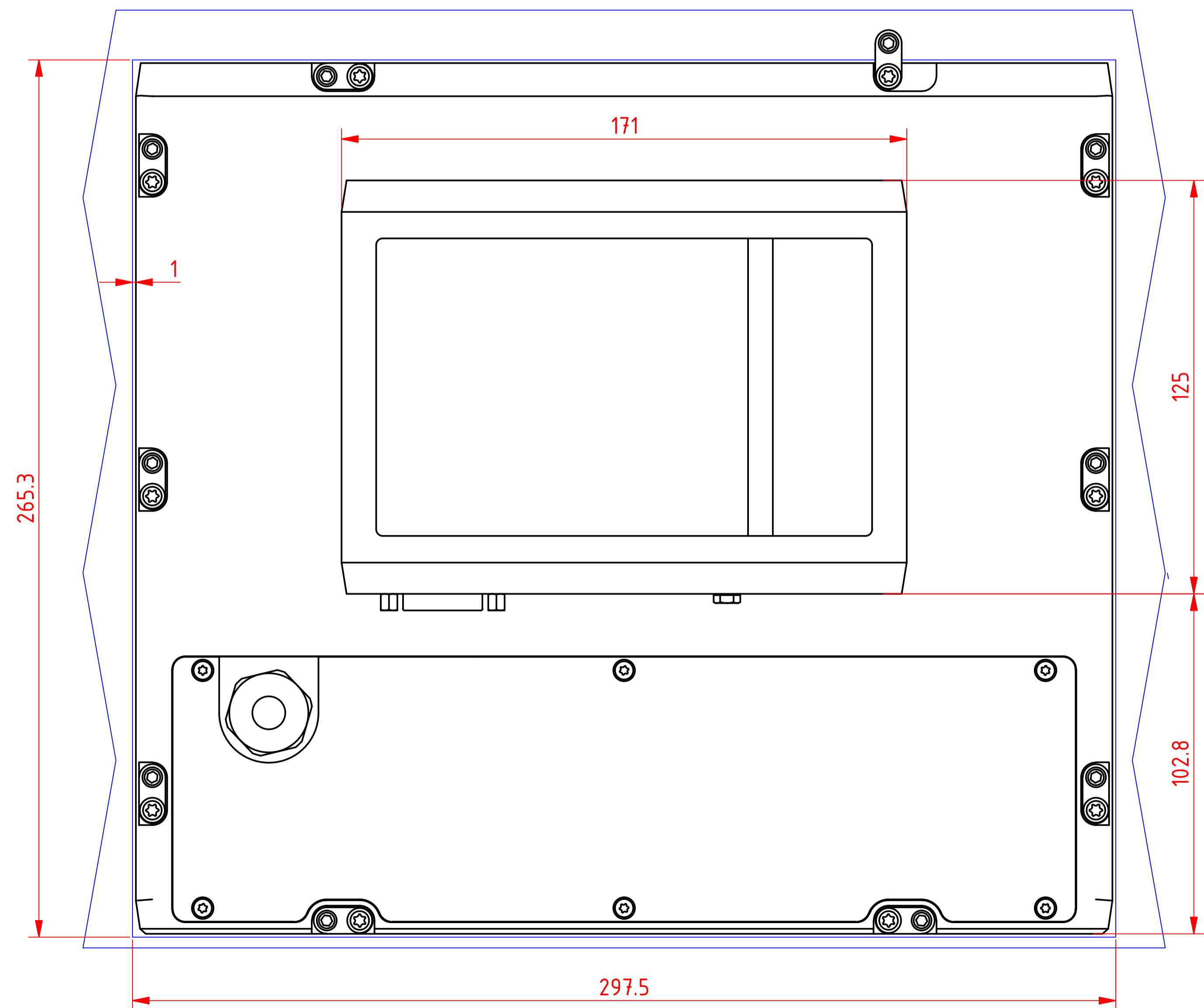
bottom view



front view



left view



cut out dimensions: 265.3 x 297.5
rear view