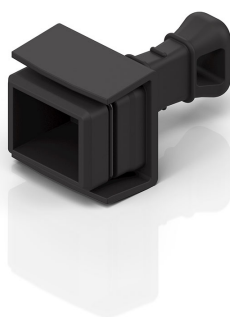


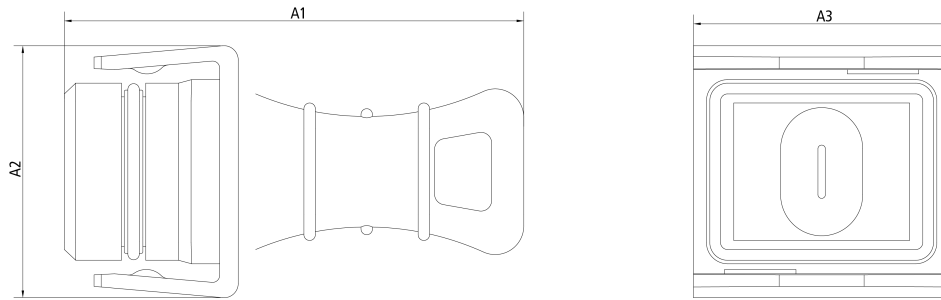
C9900-K935 | Protection cap, plastic, push-pull V4, black, straight, IP65/67



push-pull V4, protection cap, straight



Mechanical data	
Accessories type	Protection cap
Installation size	push-pull V4
Connector type	protection cap
Configuration	straight
Body color	black
Body material	Polycarbonate
Environmental data	
Special features	PU = 5 pcs.
RoHS compliant	yes
Protection rating	IP65/67
CE	yes
Dimensions	



A1	32.0 mm
----	---------

A2	17.6 mm
----	---------

A3	18.0 mm
----	---------

Notes

- Illustrations similar

Ordering information

C9900-K935

Protection cap, plastic, push-pull V4, black, straight, IP65/67, 5 Pcs.

Beckhoff®, TwinCAT®, TwinCAT/BSD®, TC/BSD®, EtherCAT®, EtherCAT G®, EtherCAT G10®, EtherCAT P®, Safety over EtherCAT®, TwinSAFE®, XFC®, XTS® and XPlanar® are registered trademarks of and licensed by Beckhoff Automation GmbH. Other designations used in this publication may be trademarks whose use by third parties for their own purposes could violate the rights of the owners.

© Beckhoff Automation GmbH & Co. KG 04/2022

The information provided in this brochure contains merely general descriptions or characteristics of performance which in case of actual application do not always apply as described or which may change as a result of further development of the products. An obligation to provide the respective characteristics shall only exist if expressly agreed in the terms of contract.