

C9900-K740,-K747 | Signal and power cable, PUR, 3 G 1.0 + 16 x 0.34 mm², drag-chain suitable, black



M23, socket, angled, female, 19-pin – open end



Plugs

Electrical data	Head A	Head B
Rated voltage	63 V AC/DC	-
Rated current	7 A with max. connection cross-section	-
Rated impulse voltage	1.5 kV	-
Shielding	yes	-
Mechanical data		
Installation size	M23	open end
Connector type	socket	-
Configuration	angled	-
Contact type	female	-
Number of positions (face)	19-pin	-
Wire termination	crimp connection	-
Mating cycles	500	-
Way of locking	screw	-
Body color	metal	-

Body material	Zinc die-cast/nickel plated	-
Seal	FPM	-
Clamp ring	brass/nickel plated	-
Contact carrier material	PBT, UL 94 V-0	-
Contact material	brass/gold plated	-
Max. wire cross-section	AWG26...AWG18 (0,14 mm ² ...1,00 mm ²)	-
Environmental data		
Protection rating	IP66, IP67 in plugged condition	-

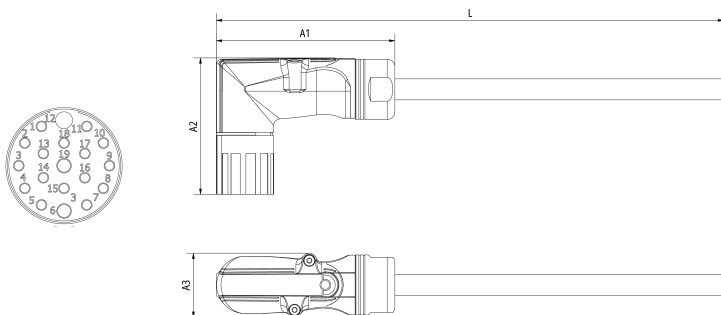
Cable

Electrical data		
Rated voltage	300 V	
Wire resistance	0.34 mm ² : ≤ 60.0 Ω/km, 1.0 mm ² : ≤ 19.5 Ω/km	
Test voltage	≥ 2000 V	
Mechanical data		
Cross-section	16 x 0.34 mm ² (AWG22) + 3 x 1.00 mm ² (AWG18)	
Outer cable diameter	9.5 mm ± 0.3 mm (0.3740" ± 0.0118")	
Min. bending radius, moved	10 x outer cable diameter	
Min. bending radius, fixed installation	4 x outer cable diameter	
Conductor material	copper bare	
Use	drag-chain suitable	
Jacket color	black	
Material jacket	PUR (polyurethane)	
Wire insulation material	PUR (polyurethane)	
Environmental data		
Operation temperature range, moved	-10...+80°C, 14...+176°F	

Pin assignment		
-----------------------	--	--

1	violett/violet
2	rot/red
3	grau/grey
4	rot-blau/red-blue
5	grün/green
6	blau/blue
7	grau-rosa/grey-pink
8	weiß-grün/white-green
9	weiß-gelb/white-yellow
10	weiß-grau/white-grey
11	schwarz/black
12	grün-gelb/green-yellow
13	gelb-braun/yellow-brown
14	brown-green
15	weiß/white
16	gelb/yellow
17	rosa/pink
18	grau-braun/grey-brown
19	braun/brown

Dimensions



A1	81.2 mm
A2	61.7 mm
A3	29

Notes

- Depending on the cable length (L), the following length tolerances apply: $\pm 2-3\%$
- Illustrations similar

CE, UL

CE	yes
UL	yes

Ordering information

Ordering information	Length
C9900-K740	10.00 m
C9900-K747	20.00 m



Products marked with a crossed-out wheeled bin shall not be discarded with the normal waste stream. The device is considered as waste electrical and electronic equipment. The national regulations for the disposal of waste electrical and electronic equipment must be observed.

Beckhoff®, ATRO®, EtherCAT®, EtherCAT G®, EtherCAT G10®, EtherCAT P®, MX-System®, Safety over EtherCAT®, TC/BSD®, TwinCAT®, TwinCAT/BSD®, TwinSAFE®, XFC®, XPlanar® and XTS® are registered trademarks of and licensed by Beckhoff Automation GmbH. Other designations used in this publication may be trademarks whose use by third parties for their own purposes could violate the rights of the owners.

© Beckhoff Automation GmbH & Co. KG 05/2026

The information provided in this brochure contains merely general descriptions or characteristics of performance which in case of actual application do not always apply as described or which may change as a result of further development of the products. An obligation to provide the respective characteristics shall only exist if expressly agreed in the terms of contract.