

EN ZS5301-0002 Installation Manual
DE ZS5301-0002 Installationsanleitung
FR ZS5301-0002 Manuel d'installation
ES ZS5301-0002 Manual de instalación

Wall/Panel Mount Bracket
Wandmontageadapter
Kit de montage mural
Soporte de montaje en pared/panel



Doc. ID: PU-200.100.26-xxA (2020-06-03-MR1)

Product Description

The ZS5301-0002 is a mechanical accessory to mount a device on a flat surface or panel without utilizing a DIN-rail.

The order number ZS5301-0002 contains two brackets and four mounting screws needed for one device.

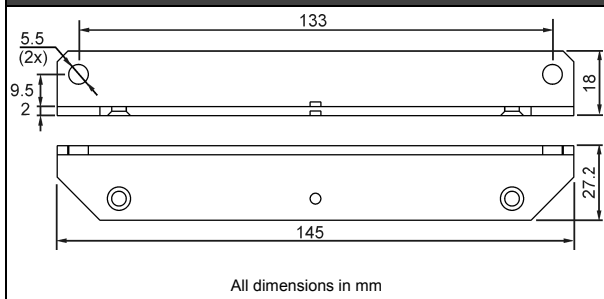
Intended Use

This mechanical accessory is designed for DIN-rail devices. Check the product datasheet of the DIN-rail device to confirm that it is suitable for the desired device.

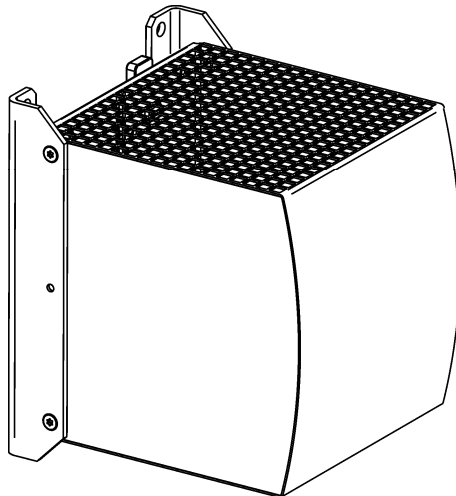
Technical Data

Size (width x height x depth) 18x145x28mm
Weight 180g / 0.4lb

Mechanical Dimensions



Mounting Example



Installation Instructions

Mount the two steel brackets on the sides of the unit by using the self tapping countersunk screws included with the kit. The two brackets are symmetrical so there is no specific left or right side. Two screws are needed for each bracket which requires a Torx-T10 screwdriver. Tightening torque: 0.7-0.8 Nm (6.2-7.1 lb-in)

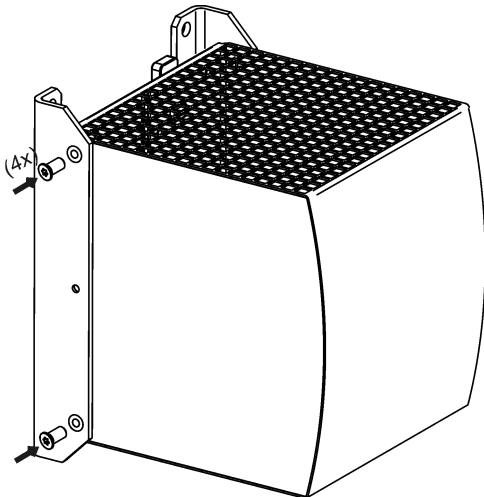
For some narrow units, the black plastic DIN-rail slide on the back of the unit may overlap with the mounting holes of the steel brackets. In such cases we recommend removing the black DIN-rail slide.

Removing instructions: Using a flat-blade screwdriver, push the lock tab downwards while at the same time push the plastic DIN-rail slide upwards. Remove the plastic slide.

WARNING - Risk of electrical shock, fire, personal injury or death.

Do not use other screws than the self tapping countersunk screws included with the kit. The unit might become unsafe when using longer screws as contact with live electrical circuits may occur.

Installation Instructions



Removing the Plastic DIN-Rail Slide

