

Application Note

EtherCAT[®] Slave Controller

Section I – Technology
(Online at <http://www.beckhoff.com>)

Section II – Register Description
(Online at <http://www.beckhoff.com>)

Section III – Hardware Description
(Online at <http://www.beckhoff.com>)

Application Note – PHY Selection Guide
Requirements to Ethernet PHYs used for EtherCAT
Ethernet PHY Examples
EtherCAT over optical links (FX)

DOCUMENT ORGANIZATION

The Beckhoff EtherCAT Slave Controller (ESC) documentation covers the following Beckhoff ESCs:

- ET1200
- ET1100
- EtherCAT IP Core for Intel® FPGAs
- EtherCAT IP Core for Xilinx® FPGAs
- ESC20

The documentation is organized in three sections. Section I and section II are common for all Beckhoff ESCs, Section III is specific for each ESC variant.

The latest documentation is available at the Beckhoff homepage (<http://www.beckhoff.com>).

Section I – Technology (All ESCs)

Section I deals with the basic EtherCAT technology. Starting with the EtherCAT protocol itself, the frame processing inside EtherCAT slaves is described. The features and interfaces of the physical layer with its two alternatives Ethernet and EBUS are explained afterwards. Finally, the details of the functional units of an ESC like FMMU, SyncManager, Distributed Clocks, Slave Information Interface, Interrupts, Watchdogs, and so on, are described.

Since Section I is common for all Beckhoff ESCs, it might describe features which are not available in a specific ESC. Refer to the feature details overview in Section III of a specific ESC to find out which features are available.

Section II – Register Description (All ESCs)

Section II contains detailed information about all ESC registers. This section is also common for all Beckhoff ESCs, thus registers, register bits, or features are described which might not be available in a specific ESC. Refer to the register overview and to the feature details overview in Section III of a specific ESC to find out which registers and features are available.

Section III – Hardware Description (Specific ESC)

Section III is ESC specific and contains detailed information about the ESC features, implemented registers, configuration, interfaces, pinout, usage, electrical and mechanical specification, and so on. Especially the Process Data Interfaces (PDI) supported by the ESC are part of this section.

Additional Documentation

Application notes and utilities can also be found at the Beckhoff homepage. Pinout configuration tools for ET1100/ET1200 are available. Additional information on EtherCAT IP Cores with latest updates regarding design flow compatibility, FPGA device support and known issues are also available.

Trademarks

Beckhoff®, TwinCAT®, EtherCAT®, Safety over EtherCAT®, TwinSAFE® and XFC® are registered trademarks of and licensed by Beckhoff Automation GmbH & Co. KG. Other designations used in this publication may be trademarks whose use by third parties for their own purposes could violate the rights of the owners.

Patent Pending

The EtherCAT Technology is covered, including but not limited to the following German patent applications and patents: DE10304637, DE102004044764, DE102005009224, DE102007017835 with corresponding applications or registrations in various other countries.

Disclaimer

The documentation has been prepared with care. The products described are, however, constantly under development. For that reason the documentation is not in every case checked for consistency with performance data, standards or other characteristics. In the event that it contains technical or editorial errors, we retain the right to make alterations at any time and without warning. No claims for the modification of products that have already been supplied may be made on the basis of the data, diagrams and descriptions in this documentation.

Copyright

© Beckhoff Automation GmbH & Co. KG 10/2017.

The reproduction, distribution and utilization of this document as well as the communication of its contents to others without express authorization are prohibited. Offenders will be held liable for the payment of damages. All rights reserved in the event of the grant of a patent, utility model or design.

DOCUMENT HISTORY

Version	Comment
1.1pre	First preliminary release
1.2	<ul style="list-style-type: none"> • Ethernet PHY requirements revised (e.g., link loss reaction time) • Added Microchip KSZ8001L • Added Texas Instruments DP83848, DP83849, and DP83640 • Editorial changes
1.3	<ul style="list-style-type: none"> • Added restriction to enhanced link configuration: RX_ER has to be asserted outside of frames (IEEE802 optional feature) • Removed Texas Instruments DP83848 and DP83849 temporarily for further examination
1.4	<ul style="list-style-type: none"> • Updated/clarified PHY requirements, PHY link loss reaction time is mandatory • Added Texas Instruments DP83848, DP83849 with comments • Added PHYs which require Enhanced Link detection to be activated • Editorial changes
1.5	<ul style="list-style-type: none"> • PHY startup should not rely on MDC clocking • Added Microchip KSZ8041NL/TL Rev. A4 to list of example Ethernet PHYs for EtherCAT with Enhanced Link Detection requirement • ESD tolerance and baseline wander compensation recommendations added • Editorial changes
1.6	<ul style="list-style-type: none"> • Completely revised and enhanced compatibility table • Editorial changes
1.7	<ul style="list-style-type: none"> • Added restrictions for ET1100-0002/ET1200-0002 and PHYs which require Enhanced Link Detection: PHY address offset must be 0 • PHY address offset for Teridian PHYs and Microchip KSZ8041 corrected
1.8	<ul style="list-style-type: none"> • Added Microchip KSZ8051 PHYs • Link loss reaction time of Broadcom BCM5241 is higher than data sheet reports • Clarified suitability of some Microchip/Texas Instruments PHYs for ET1100, ET1200 • Changed footnote: Microchip PIC10 is expected to be not suitable for management address conversion during an access (PIC10 remains suitable for adding an extra MCLK cycle)
2.0	<ul style="list-style-type: none"> • Microchip KSZ8051: update to rev. A2 • Microchip KSZ8721: LED1 speed behavior comments added • Texas Instruments DP83848/DP83849 comment on clock supply added • Renesas μPD60610, μPD60611, μPD60620, μPD60621 added • Microchip LAN8700 added • STMicroelectronics STE802RT1A/B PHYs added • Texas Instruments DP83620/ DP83630 added • Added chapter about EtherCAT over optical links • Added chapter about Gigabit Ethernet PHYs • Enhanced recommendations for Ethernet PHYs • Added recommendations to FX transceivers used for EtherCAT
2.1	<ul style="list-style-type: none"> • Added Texas Instruments TLK105, TLK106, and TLK110 • Added Microchip KSZ8081MNX,KSZ8081 MLX • Removed Microchip KSZ8721: not recommended for new designs by Microchip (Microchip recommends KSZ8051 or KSZ8081 instead) • Renesas μPD60610, μPD60611, μPD60620, μPD60621 updated • Added IC Plus Corp. IP101G • IEEE802.3az Energy Efficient Ethernet must not be used • Added required PHY signals table • Updated to ET1100-0003/ET1200 -0003
2.2	<ul style="list-style-type: none"> • Update to EtherCAT IP Core V3.0.2/V3.00c with FX support • RX_ER is required for EtherCAT • Editorial changes

Version	Comment
2.3	<ul style="list-style-type: none"> • Renesas μPD60610/μPD60611: Auto-TX-Shift required (data sheet was updated) • Renesas μPD60610/μPD60611/ μPD60620/μPD60621: MI link detection and configuration can only be enabled with certain IP Core versions • Texas Instruments TLK105/TLK106/TLK110: MI link detection and configuration must not be enabled • Microchip PHYs: added notes for an internal pull-up resistor at MCLK pin • Added note for PHYs with Enhanced link detection recommendation • Editorial changes
2.4	<ul style="list-style-type: none"> • Microchip PHYs: added comments regarding SPEED LED usage • Added Microchip KSZ8061 • Added Texas Instruments TLK111 • PHY address offset recommendations for IP core relaxed because IP core supports any PHY address offset now.
2.5	<ul style="list-style-type: none"> • Added note regarding odd nibble detection for Texas Instruments TLK105, TLK106, TLK110, TLK111 • Updated requirements for Texas Instruments DP83xxx PHYs, especially DP83849 restrictions with ET1100/ET1200 • Added Texas Instruments DP83822 • Changed recommended PHY address offset for Texas Instruments DP83620/DP83630/DP83640/DP83848: use offset 16 with ET1100-0003/ET1200-0003
2.6	<ul style="list-style-type: none"> • Changed recommended PHY address offset for Microchip KSZ8001L: use offset 16 with ET1100-0003/ET1200-0003 • Added Davicom Semiconductor DM9162 and DM9163 • Added Microchip KSZ8091MLX • Added Microsemi VCS8530 and VCS8540 • Updated comments for Texas Instruments PHYs • Editorial changes

CONTENTS		
1	Overview	1
2	Ethernet PHY Requirements	2
3	PHY Connection	3
	3.1 Required Ethernet PHY signals	3
	3.2 Clock supply	3
4	Example Ethernet PHYs	4
	4.1 Enhanced Link Detection	4
	4.2 Auto TX Shift	4
	4.3 Example Ethernet PHYs	5
	4.4 Examples of Ethernet PHYs assumed to be incompatible with EtherCAT requirements	9
5	EtherCAT over Optical Links (FX)	9
	5.1 ESCs with native FX support	9
	5.2 ESCs without native FX support	9
	5.2.1 Standard Link Detection	9
	5.2.1.1 Issue: Temporary Enhanced Link Detection while EEPROM is loading	10
	5.2.1.2 Minimum solutions with Standard Link Detection	10
	5.2.2 Enhanced FX Link Detection	10
	5.2.2.1 Proposed solutions with Enhanced Link Detection	11
6	Gigabit Ethernet PHYs	11
7	Appendix	11
	7.1 Support and Service	11
	7.1.1 Beckhoff's branch offices and representatives	11
	7.2 Beckhoff Headquarters	11

1 Overview

An EtherCAT Slave Controller (ESC) takes care of the EtherCAT communication as an interface between the EtherCAT fieldbus (Ethernet) and the slave application. EtherCAT uses standard Fast Ethernet. Transmission speed for EtherCAT is fixed to 100 Mbit/s with Full Duplex communication. EtherCAT Slave Controllers process Ethernet frames on the fly.

This application note provides an overview of the requirements to Ethernet PHYs used for EtherCAT devices. An example list of Ethernet PHYs currently expected to be suitable for EtherCAT is also provided.

This application note applies to the following Beckhoff EtherCAT Slave Controllers:

- ET1200-0003
- ET1100-0003
- EtherCAT IP Core for Intel®/Xilinx® FPGAs V3.0.2/V3.00c and later
- ESC10/20

Refer to the ESC data sheets for further information. The ESC data sheets are available from the Beckhoff homepage (<http://www.beckhoff.com>).

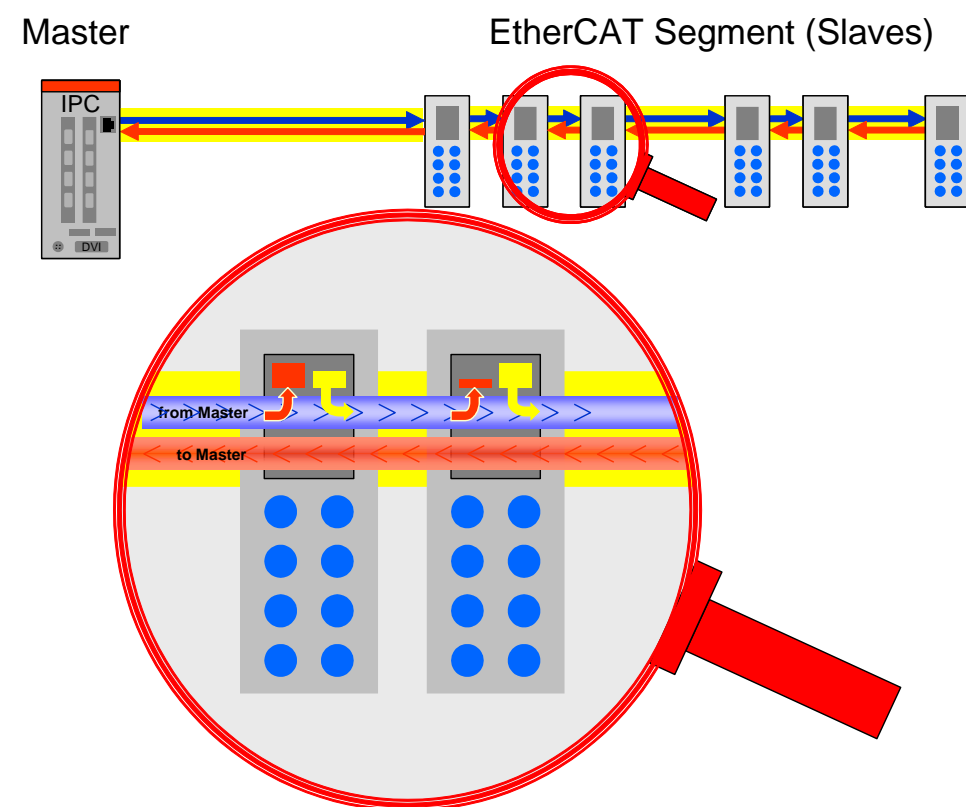



Figure 1: EtherCAT Segment

2 Ethernet PHY Requirements

ESCs which support Ethernet Physical Layer use MII interfaces, some do also support RMII/RGMII interfaces. Since RMII/RGMII PHYs include TX FIFOs, they increase the forwarding delay of an EtherCAT slave device as well as the jitter. RMII/RGMII is not recommended due to these reasons.

EtherCAT and Beckhoff ESCs have some general requirements to Ethernet PHYs, which are typically fulfilled by state-of-the-art Ethernet PHYs.

 The MII interfaces of Beckhoff ESCs are optimized for low processing/forwarding delays by **omitting a transmit FIFO**. To allow this, the Beckhoff ESCs have additional requirements to Ethernet PHYs, which are easily accomplished by several PHY vendors.

Refer to Section III of the ESC documentation for ESC specific information about supported features.

Requirements to Ethernet PHYs used for EtherCAT:

- The PHYs have to comply with **IEEE 802.3 100BaseTX or 100BaseFX**.
- The PHYs have to support 100 Mbit/s Full Duplex links.
- The PHYs have to provide an **MII** (or RMII/RGMII¹) interface.
- The PHYs have to use autonegotiation in 100BaseTX mode.
- The PHYs have to support the MII management interface.
- The PHYs have to support **MDI/MDI-X auto-crossover** in 100BaseTX mode.
- PHY **link loss reaction time** (link loss to link signal/LED output change) has to be faster than 15 μ s to enable redundancy operation².
- The PHYs must not modify the preamble length.
- The PHYs must not use IEEE802.3az Energy Efficient Ethernet.
- The PHYs must offer the RX_ER signal (MII/RMII) or RX_ER as part of the RX_CTL signal (RGMII).

Additional requirements to Ethernet PHYs used with Beckhoff ESCs:

- The PHYs have to provide a **signal indicating a 100 Mbit/s (Full Duplex) link**³, typically a configurable LED output. The signal polarity is active low or configurable for some ESCs.
- The **PHY addresses** should be equivalent to the **logical port number (0-3)**. Some ESCs also support a fixed offset (e.g. offset 16, PHY addresses are logical port number plus 16: 16-19), an arbitrary offset, or even individually configurable PHY addresses. If none of these possibilities can be used, the PHY address should be configured to logical port number plus 1 (1-4), although some features (e.g., Enhanced Link Detection) can not be used in this case, because apart from the optional configurable PHY address offset, the PHY addresses are hard-coded inside the ESCs.
- PHY configuration must not rely on configuration via the MII management interface, i.e., required features have to be enabled after power-on, e.g., by default or by **strapping options**. PHY startup should not rely on MII management interaction, i.e., MDC clocking, since many ESCs do not communicate with the PHY via management interface unless the EtherCAT master requests this (only the EtherCAT IP Core with MI Link detection and configuration will communicate without master interaction).

Additional requirements to Ethernet PHYs used with Beckhoff ESCs using the MII Interface:

- All PHYs connected to one ESC and the ESC itself must share the **same clock source**, so a TX FIFO can be omitted. This can be achieved by sourcing the PHYs from an ESC clock output or by sourcing the PHYs and the ESC from the same quartz oscillator. The ESC10/20 uses TX_CLK as a clock source, both PHYs have to share the same quartz oscillator.

¹ RMII/RGMII is only supported by the EtherCAT IP Core

² This can either be achieved by a PHY with such a link loss reaction time, or by activating Enhanced link detection in the ESC. Enhanced link detection uses the RX_ER signal, and it requires that the PHY asserts RX_ER both inside and outside of frames for each invalid symbol. Enhanced link detection requires proper PHY address configuration.

³ If a combined signal (100 Mbit/s link with Full Duplex) is not available, a signal indicating a 100 Mbit/s link might be used. Take care that the link signal is inactive in case of no link. If only a Link signal is available, this might be used. Never use (combined) activity signals. Some PHYs toggle the 100 Mbit/s speed signal during autonegotiation, this is a problem for hot-connecting. Use a link signal in this case.

- The phase offset between TX_CLK and the clock input of the PHYs is compensated inside the ESC, either manually by configuration or automatically. The clock period cannot change between the devices since the PHYs and the ESC have to share the same clock source.

Manual TX Shift compensation: ET1100, ET1200, and IP Core provide a TX Shift configuration option (configurable TX_EN/TXD signal delay by 0/10/20/30 ns) which is used for all MII ports. Thus, all PHYs connected to one ESC must have the same **fixed phase relation between TX_CLK and the clock input** of the PHY, with a tolerance of ± 5 ns⁴. The phase relation has to be the same each time the PHYs are powered on/establish a link. As the ESC10/20 use TX_CLK as device clock source, configuration is not necessary, but the requirements for manual TX Shift compensation have to be fulfilled anyway.

Automatic TX Shift compensation: The IP Core supports automatic TX Shift compensation individually for each port. With automatic TX Shift compensation, the PHYs are not required to have the same fixed phase relation each time they are powered on/establish a link.

Recommendations to Ethernet PHYs used for EtherCAT:

- Receive and transmit delays should be deterministic, and as low as possible.
- Maximum cable length should be ≥ 120 m to maintain a safety margin if the standard maximum cable length of 100 m is used.
- ESD tolerance should be as high as possible (4kV or better)
- Baseline wander should be compensated (the PHYs should cope with the ANSI X3.263 DDJ test pattern for baseline wander measurements at maximum cable length)
- The PHYs should detect link loss within the link loss reaction time of 15 μ s also if only one of the RX+ and RX- lines gets disconnected.
- The PHYs should maintain the link state regardless of the received symbols, as long as the symbols are valid.
- Ethernet PHYs for 100BaseFX should implement Far-End-Fault (FEF) completely (generation and detection).
- MDC should not incorporate pull-up/pull-down resistors, as this signal is used as a configuration input signal by some ESCs.
- Restriction of Autonegotiation advertisement to 100 Mbit/s / Full Duplex is desirable (configured by hardware strapping options).
- Power consumption should be as low as possible.
- I/O voltage: 3.3V should be supported for current ASIC and FPGA ESCs, additional 2.5V/1.8V I/O support is recommended for recent FPGA ESCs.
- Single power supply according to I/O voltage.
- The PHY should use a 25 MHz clock source (quartz oscillator or ESC output).
- Industrial temperature range should be supported.

NOTE: The following requirements defined by IEEE802.3 have to be observed:

a) the preamble length should be maintained. Accumulating preamble reduction below 2 bytes including Start-of-Frame-Delimiter/SFD (0x55 5D) must not occur. ESCs can not regenerate preambles to 8 bytes including SFD because of the on-the-fly processing: received and transmitted preamble length is identical.

b) receive and transmit delays should comply with the standard (RX delay should be below ~ 320 ns, TX delay below ~ 140 ns),

c) MII Management interface should not require additional MCLK cycles or continuous MCLK.

d) Minimum cable length is 0 m

Recommendations to FX transceivers used for EtherCAT:

- The transceiver should have an input for disabling the transceiver/transmitter (for Enhanced FX link detection; e.g. enable, power-down or reset).

⁴ The ± 5 ns tolerance is valid for PHYs using the IEEE802.3 TX specification (TX signal change is allowed in a time window of 25 ns, TX signals are stable in a window of 15 ns). If the PHY has a larger window for changing the TX signals (25 ns + x), the tolerance will be $\pm(5\text{ns} + x/2)$.

3 PHY Connection

Figure 2 shows the principle connection between ESC⁵ and PHY. The clock source of Ethernet PHYs and ESC has to be the same quartz or quartz oscillator. TX_CLK is usually not connected unless automatic TX Shift compensation is used, because the ESCs do not incorporate a TX FIFO. The TX signals can be delayed inside the ESC for TX_CLK phase shift compensation. LINK_STATUS is an LED output indicating a 100 Mbit/s (Full Duplex) link.

Refer to ESC data sheet Section III for details about Ethernet PHY connection of a specific ESC.

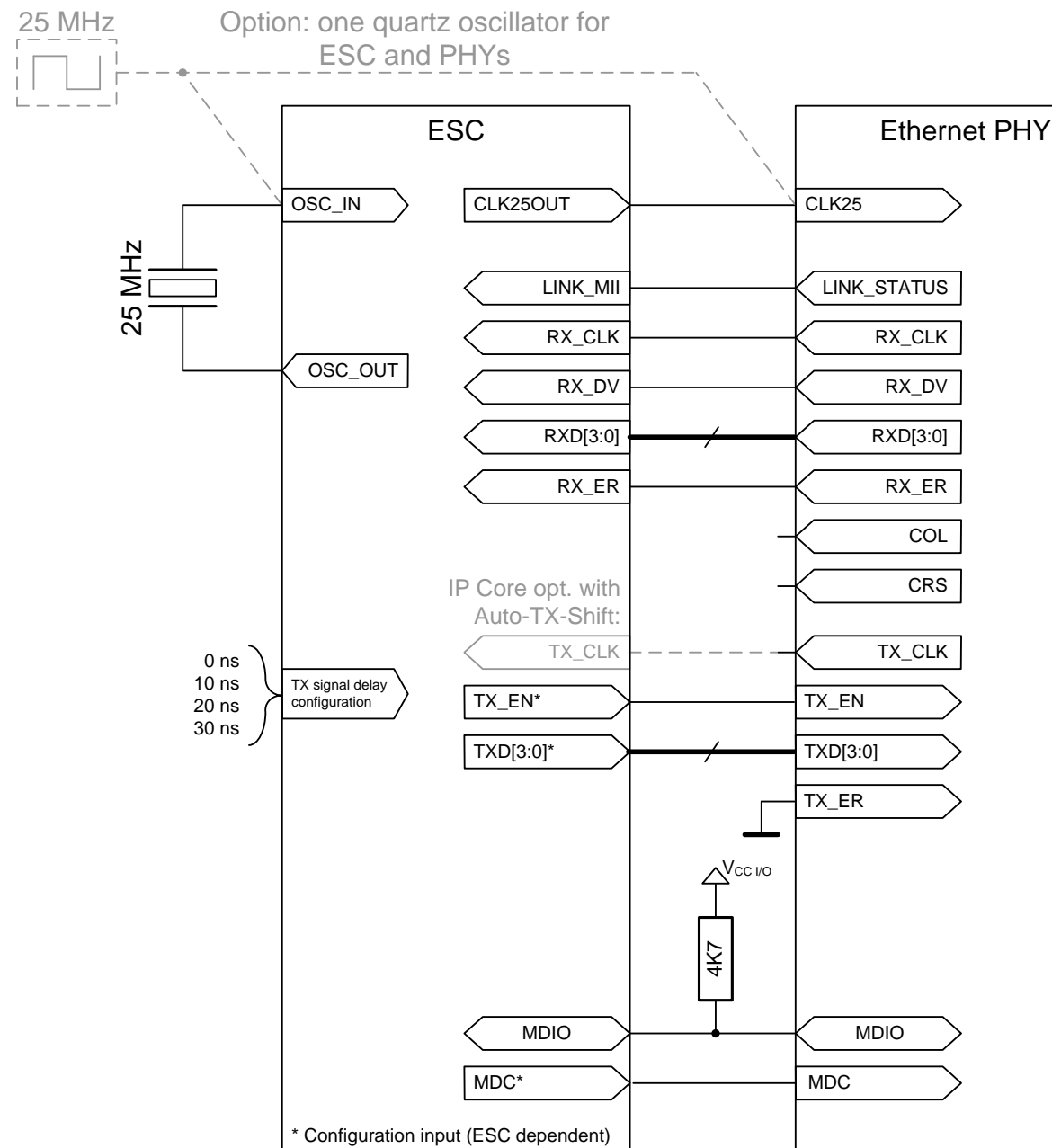


Figure 2: PHY Connection

⁵ ESC10/20 uses TX_CLK of a PHY as the clock source of the ESC. FPGAs with IP Core only support the quartz oscillator alternative.

3.1 Required Ethernet PHY signals

Table 1: Required Ethernet PHY signals using MII

Signal	Required	Comment
CLK25	Mandatory	Shared 25 MHz clock source between ESC and PHY
LINK_STATUS	Mandatory	LINK LED signal, required for fast link loss reaction time
RX_CLK	Mandatory	
RX_DV	Mandatory	
RXD[3:0]	Mandatory	
RX_ER	Mandatory	Required for error detection and error source localization
COL	Not used	EtherCAT uses full duplex only
CRS	Not used	EtherCAT uses full duplex only
TX_CLK	Optional	Optional for automatic TX Shift compensation
TXD[3:0]	Mandatory	
TX_ER	Not used	Connect to GND
MDIO	Optional	Recommended especially for debugging
MDC	Optional	Recommended especially for debugging

Table 2: Required Ethernet PHY signals using RMII

Signal	Required	Comment
REF_CLK	Mandatory	Shared 50 MHz clock source between ESC and PHY
LINK_STATUS	Mandatory	LINK LED signal, required for fast link loss reaction time
CRS_DV	Mandatory	
RXD[1:0]	Mandatory	
RX_ER	Mandatory	Required for error detection and error source localization
TX_EN	Mandatory	
TXD[1:0]	Mandatory	
MDIO	Optional	Recommended especially for debugging
MDC	Optional	Recommended especially for debugging

Table 3: Required Ethernet PHY signals using RGMII

Signal	Required	Comment
CLK25_2NS	Mandatory	25 MHz clock signal with 2 ns phase shift, used for TX_CLK
LINK_STATUS	Mandatory	LINK LED signal, required for fast link loss reaction time
RX_CLK	Mandatory	
RX_CTL	Mandatory	
RXD[3:0]	Mandatory	
TX_CLK	Mandatory	
TX_CTL	Mandatory	
TXD[3:0]	Mandatory	
MDIO	Optional	Recommended especially for configuration and debugging
MDC	Optional	Recommended especially for configuration and debugging

3.2 Clock supply

The initial accuracy at room temperature of the PHY clock source has to be 25 ppm or better. This enables FIFO size reduction, i.e., forwarding delay reduction, and supports fast DC locking.

4 Example Ethernet PHYs

In this chapter, some example Ethernet PHYs which are assumed to fulfill the EtherCAT requirements are presented, as well as an overview of Ethernet PHYs which are assumed to not fulfill these requirements. These lists represent a current collection of information from data sheets, vendors, and basic hardware tests for some devices, and they represent the best of **current knowledge**. These lists do not imply any kind of certification for EtherCAT, since none of these PHYs has been tested thoroughly to fulfill each individual EtherCAT or IEEE802.3 requirement. These lists are only intended for sharing current information about Ethernet PHYs for EtherCAT, and they are still **work-in-progress**.

The Ethernet PHYs were either judged by a **brief** overview of their data sheets or by additional **basic** hardware communication tests (basic hardware communication tests are indicated in the table).

The example Ethernet PHYs for EtherCAT shown in the following tables are sorted alphabetically by vendor name, not by preference. The selection of Ethernet PHYs was restricted to 1-4 port 10/100 Mbit/s Ethernet PHYs. These tables are incomplete in terms of Ethernet PHY vendors and Ethernet PHY devices – they just give some examples, and it is likely that other devices and devices from different vendors meet the requirements as well.

It can not be guaranteed that the mentioned Ethernet PHYs, future revisions of them, or product changes are or will be fully EtherCAT compatible or not, nor that they are compatible with individual ESCs – because of ESC specific options (e.g., configurable link polarity, supported PHY address offsets, Enhanced Link detection, automatic TX Shift compensation). As far as known, restrictions and features of the PHYs impacting their EtherCAT usage are added to the tables.

Table 1 indicates for which ESC the PHY is assumed to be suitable, and which features have to be enabled and which settings have to be made for the ESC/PHY combination.

4.1 Enhanced Link Detection

Some Ethernet PHYs require **Enhanced Link Detection** to be activated in order to achieve sufficient link loss reaction times.

PHYs which require Enhanced Link Detection to be activated are marked in the following table. Enhanced Link Detection is generally recommended because additional faults are detected and link loss reaction time is improved.

For back-to-back connections, Enhanced Link Detection must not be activated.

4.2 Auto TX Shift

Some Ethernet PHYs cannot guarantee a fixed phase relation between their clock input and TX_CLK. The Auto TX Shift feature compensates these phase shift variations, as long as the phase shift is at least constant while the link is up. Auto TX Shift is not equivalent to a TX FIFO, it is just a controlled output phase for the TX signals. ESC and PHY have to share the same clock source anyway.

PHYs which require Auto TX Shift to be activated are marked in the following table.

4.3 Example Ethernet PHYs

Table 4: Example Ethernet PHYs assumed to fulfill EtherCAT requirements

Vendor / Device	ET1200 suitable	ET1100 suitable	IP Core suitable	# Ports	Basic HW test ⁶	TX_CLK fixed phase ⁷	PHY addr. ⁸	PHY addr. offset ⁹	Link loss reaction time	Enhanced Link Detection	Auto-TX-Shift (IP Core only)	Comments
Broadcom												
BCM5221	X	X	X	1		yes (Data sheet ¹⁰)	0-31	0	1.3 µs	recommended ¹¹		Requires additional write clock on MDC (supported by ET1100-0003, ET1200-0003, IP Core since v2.3.1/2.03b). Quartz oscillator required. Internal pull-down at MDC.
BCM5222	X ¹²	X	X	2		yes (Data sheet)	0-31	0	1.3 µs	recommended ¹¹		Requires additional write clock on MDC (supported by ET1100-0003, ET1200-0003, IP Core since v2.3.1/2.03b). Quartz oscillator required. Internal pull-down at MDC.
BCM5241	X	X	X	1	yes	yes (Data sheet)	0-7, 8, 16, 24	0	45 µs	required		Requires additional write clock on MDC (supported by ET1100-0003, ET1200-0003, IP Core since v2.3.1/2.03b). Quartz oscillator required. Internal pull-up at MDC. XTALI voltage ≤ 1.8V.
Cortina Systems												
LXT973	(X ^{13,12})	(X ¹³)	X	2	yes	Measurement ¹³	0-31	0	1.9 ms	required	provisionally ¹³	
Davicom Semiconductor												
DM9161B			X	1			0-31	0		provisionally	provisionally	
DM9162	-	-	X	1		no	0-31	0	1.79ms	required	required	
DM9163	-	-	X	1		no	0-31	0	1.79ms	required	required	
IC Plus Corp.												
IP101ALF			X	1			0-31	0		provisionally	provisionally	Link signal depends on PHY address.
IP101G			X	1			0, 1, x	0		provisionally	provisionally	Link signal depends on PHY address. Max. 3 ports usable because of PHY addresses.
Marvell												
88E3015/ 88E3018	-	-	X	1		no	0-31	0		provisionally	required	
Maxim												
78Q2123 78Q2133			X	1			0/1	0		provisionally	provisionally	PHY addr. 0 = Broadcast. Only for single port devices, because only one PHY address can be used.

⁶ The following requirements were not part of the basic hardware test: MDI/MDI-X auto-crossover, MII management interface, TX clock phase relation, and preamble length maintenance. These requirements are assumed to be fulfilled either according to the data sheet or vendor notice. Hardware tests are typically performed with only one of the ESC types, e.g., IP Core.

⁷ Information about fixed phase shift between TX_CLK and PHY clock source from data sheet or from vendor

⁸ PHY address range supported by PHY. Special PHY addresses are excluded (Broadcast/Isolate/Power down).

⁹ Suggested PHY address offset. ET1100 and ET1200 only support a PHY address offset of 0 or 16. A PHY address offset of 0 means PHY addresses 0-3 are used, an offset of 16 means PHY addresses 16-19 are used, etc..

¹⁰ Only for XTALI, not approved for REF_CLK. According to Broadcom, a quartz oscillator can be connected to XTALI as well.

¹¹ Recommended for IP Core only. Should not be enabled for ET1100/ET1200 (otherwise there is a potential risk of an additional link-down/link-up-cycle caused by ET1100/ET1200 directly after the link is re-established).

¹² ET1200 support only one Ethernet port, so only one port of the PHY can be used.

¹³ Measurements from the vendor with some LXT973 indicated that there is a fixed TX_CLK phase relation, but a general statement could not be made. It is assumed that Auto-TX-Shift is not required and that ET1200/ET1100 are supported, but provisionally Auto-TX-Shift should be turned on.

Vendor / Device	ET1200 suitable	ET1100 suitable	IP Core suitable	# Ports	Basic HW test ⁶	TX_CLK fixed phase ⁷	PHY addr. ⁸	PHY addr. offset ⁹	Link loss reaction time	Enhanced Link Detection	Auto-TX-Shift (IP Core only)	Comments
Microchip												
KSZ8001L	X	X	X	1		yes (Vendor)	1-31	ET1100/ ET1200: 16 IP: 1-31		provisionally		PHY addr. 0 = Broadcast. The KSZ8001 might have a pull-up resistor at the MCLK pin, which might interfere with an external pull-down resistor for strapping. The SPEED LED might toggle during link up, causing lost frames for a short period. Either enable MI Link Detection and Configuration or use LINK LED (requires enabling via management interface).
KSZ8041TL Rev. A4 KSZ8041NL Rev. A4	-	-	X	1		yes (Vendor)	1-7	1-7	10 µs	recommended ¹¹		PHY addr. 0 = Broadcast. Enable 8 byte preamble with CONFIG[2:0]=100 (was PCS Loopback in Rev. A3). The SPEED LED might toggle during link up, causing lost frames for a short period. Either enable MI Link Detection and Configuration or use LINK LED (requires enabling via management interface). The KSZ8041 might have a pull-up resistor at the MCLK pin, which might interfere with an external pull-down resistor for strapping.
KSZ8051 MLL Rev. A2 KSZ8051 MNL Rev. A2	X	X	X	1		yes (Vendor)	0-7	0	5.3 µs	recommended ¹¹		Enable B_CAST_OFF to support PHY addr. 0 (otherwise PHY addr. 0 = Broadcast). Rev. A2 has a fixed TX_CLK phase. The KSZ8051 might have a pull-up resistor at the MCLK pin, which might interfere with an external pull-down resistor for strapping. The SPEED LED might toggle during link up, causing lost frames for a short period. Either enable MI Link Detection and Configuration or use LINK LED (requires enabling via management interface).
KSZ8061MNX	X ¹⁴	X ¹⁴	X	1		yes (Data sheet)	1-7	ET1100/ ET1200: 0 IP: 1-7	4.8 µs	ET1100/ ET1200: off IP: recommended		Disable Fixed RX PHY latency via management interface, otherwise preamble reduction possible. PHY addr. 0 = Broadcast. ET1100/ET1200: if port 0 is used, set PHY addresses to 1-4, PHY address offset to 0. Disable Enhanced link detection or add CPLD/uC for address conversion.
KSZ8061MNG	X ¹⁴	X ¹⁴	X	1		yes (Data sheet)	0-7	0	4.8 µs			Disable Fixed RX PHY latency via management interface, otherwise preamble reduction possible. Enable B_CAST_OFF to support PHY addr. 0 (otherwise PHY addr. 0 = Broadcast). The SPEED LED might toggle during link up, causing lost frames for a short period. Either enable MI Link Detection and Configuration or use LINK LED (requires enabling via management interface).
KSZ8061RNB/RND	-	-	X	1		n. a.	1-7	1	4.8 µs	recommended		Disable Fixed RX PHY latency via management interface, otherwise preamble reduction possible. PHY addr. 0 = Broadcast. The SPEED LED might toggle during link up, causing lost frames for a short period. Either enable MI Link Detection and Configuration or use LINK LED (requires enabling via management interface).
KSZ8081MNX KSZ8081MLX	X	X	X	1		yes (Data sheet)	0-7	0	4.4 µs	recommended ¹¹		Enable B_CAST_OFF to support PHY addr. 0 (otherwise PHY addr. 0 = Broadcast). The KSZ8081 has a pull-up resistor at the MCLK pin, which might interfere with an external pull-down resistor for strapping. The SPEED LED might toggle during link up, causing lost frames for a short period. Either enable MI Link Detection and Configuration or use LINK LED (requires enabling via management interface).
KSZ8091MLX	X	X	X	1		yes (Data sheet)	0-7	0	4.4 µs	recommended ¹¹		Enable B_CAST_OFF to support PHY addr. 0 (otherwise PHY addr. 0 = Broadcast). The KSZ8091 has a pull-up resistor at the MCLK pin, which might interfere with an external pull-down resistor for strapping. The SPEED LED might toggle during link up, causing lost frames for a short period. Either enable MI Link Detection and Configuration or use LINK LED (requires enabling via management interface).
LAN8187	-	-	X	1		no (Vendor)	0-31	0		provisionally	required	Link signal depends on PHY address.
LAN8700	-	-	X	1		no (Vendor)	0-31	0		provisionally	required	Link signal depends on PHY address.
LAN8710	-	-	X	1		no	0-7	0		provisionally	provisionally	
Microsemi												
VCS8530	-	-	X	1		no (Vendor)	0 (0-31)	0	10 µs	not necessary	required	RMII/RGMII only. FASTLINK_FAIL signal has to be used as link signal. PHY addresses 1-31 require access via management interface (managed mode). First MI access 15 ms after reset or later, requires extra logic. Additional reset pulse required in unmanaged mode.
VCS8540	-	-	X	1		no (Vendor)	0 (0-31)	0	10 µs	not necessary	required	Enabling link signal (FASTLINK_FAIL) requires access via management interface. PHY addresses 1-31 require access via management interface (managed mode). First MI access 15 ms after reset or later, requires extra logic. Additional reset pulse required in unmanaged mode.

¹⁴ ET1100/ET1200 do not support/fully support MI management access from the µController, so external logic is required to access the PHY.

Vendor / Device	ET1200 suitable	ET1100 suitable	IP Core suitable	# Ports	Basic HW test ⁶	TX_CLK fixed phase ⁷	PHY addr. ⁸	PHY addr. offset ⁹	Link loss reaction time	Enhanced Link Detection	Auto-TX-Shift (IP Core only)	Comments
Realtek												
RTL8201N	-	-	X	1		no	1-31	ET1100/ ET1200: 16 IP: 1-31		provisionally	required	PHY addr. 0 = Power down.
RTL8201DL	-	-	X	1		no	0-7	0		provisionally	required	
Renesas												
μPD60610/μPD60611	-	-	X	1		no	0/8/16/ 24	0	3 x RX_ER (120 ns)	not necessary	required	Link loss reaction time configurable via MII management interface. Enhanced Link Detection cannot be used with more than 1 port, because PHY addresses are not consecutive. MI Link detection and configuration can only be enabled for tolerant IP Cores (starting with V2.4.3/V2.04d and V3.0.2/V3.00c)
μPD60620/μPD60621	X ¹²	X	X	2		yes (Data sheet)	0/8/16/ 24+1	0	3 x RX_ER (120 ns)	not necessary		Link loss reaction time configurable via MII management interface; Set P1TXCL=0 for fixed TX_CLK phase shift. Enhanced Link Detection cannot be used with more than 1 port, because PHY addresses are not consecutive. EtherCAT support starts with order number UPD60620AGK-GAK-AX / UPD60621AGK-GAK-AX. MI Link detection and configuration can only be enabled for tolerant IP Cores (starting with V2.4.3/V2.04d and V3.0.2/V3.00c)
STMicroelectronics												
STE101P	-	-	X ¹⁵	1			1-31	ET1100/ ET1200: 16 IP: 1-31		provisionally	provisionally	PHY addr. 0 = Isolate. MDC clock transition required to complete reset phase (MI Link Detection and Configuration required). Link signal depends on PHY address.
STE802RT1A/B	-	-	X ¹⁵	1		yes (Vendor)	1-31	ET1100/ ET1200: 16 IP: 1-31		provisionally		PHY addr. 0 = Isolate. MDC clock transition required to complete reset phase (MI Link Detection and Configuration required).

¹⁵ MI link detection and configuration required.

Vendor / Device	ET1200 suitable	ET1100 suitable	IP Core suitable	# Ports	Basic HW test ⁶	TX_CLK fixed phase ⁷	PHY addr. ⁸	PHY addr. offset ⁹	Link loss reaction time	Enhanced Link Detection	Auto-TX-Shift (IP Core only)	Comments
Texas Instruments												
DP83620/ DP83630/ DP83640	X	X	X	1		yes (Vendor)	1-31	ET1100/ ET1200: 16 IP: 1-31	250 µs (conf. to ~1.3 µs)	required		PHY addr. 0 = Isolate. Do not use SCMI mode. Use LED_LINK for link detection. X1 must not be floating, add 2.2KΩ pull-down if necessary (e.g., ET1100/ET1200: CLK25Out is not driven before strapping).
DP83822	X	X	X	1		yes (Data sheet)	0-31	0	250 µs (conf. to <10 µs)	required		Use LED_LINK for link detection. X1 must not be floating, add 2.2KΩ pull-down if necessary (e.g., ET1100/ET1200: CLK25Out is not driven before strapping). Fast Link Down mode with 10 µs reaction time is supported. Recommended configuration for Fast Link Down mode in CR3: enable Bit 3 (RX Error count) and Bit 0 (Signal/Energy loss).
DP83848	X	X	X	1	yes	yes (Vendor)	1-31	ET1100/ ET1200: 16 IP: 1-31	250 µs	required		PHY addr. 0 = Isolate. Use LED_LINK for link detection. X1 must not be floating, add 2.2KΩ pull-down if necessary (e.g., ET1100/ET1200: CLK25Out is not driven before strapping).
DP83849	X ¹²	X	X	2		yes (Vendor)	0-31	0	250 µs	required		Do not use SCMI mode. Use LED_LINK for link detection. X1 must not be floating, add 2.2KΩ pull-down if necessary. TXD is potentially driven by PHY before a clock signal is applied to X1 (ET1100/ET1200: CLK25Out cannot be used, an external clock source is required).
TLK100	-	-	X	1		no	0-31	0	500 µs	required	required	TX_CLK phase changes at each link up.
TLK105	X	X	X	1		yes (Data sheet)	0-31	0	200 µs (conf. to <10 µs)	required		Disable Odd nibble detection via MII management, otherwise Forwarded RX errors cannot be detected. Fast Link Down mode with 10 µs reaction time is supported (requires configuration via MII management, default is 200 µs). Recommended configuration for Fast Link Down mode in CR3: enable Bit 3 (RX Error count) and Bit 0 (Signal/Energy loss). MI Link detection and configuration must not be used for IP Cores before V3.2.0, because register 9 is PHY specific.
TLK106	X	X	X	1		yes (Data sheet)	0-31	0	200 µs (conf. to <10 µs)	required		Disable Odd nibble detection via MII management, otherwise Forwarded RX errors cannot be detected. Fast Link Down mode with 10 µs reaction time is supported (requires configuration via MII management, default is 200 µs). Recommended configuration for Fast Link Down mode in CR3: enable Bit 3 (RX Error count) and Bit 0 (Signal/Energy loss). MI Link detection and configuration must not be used for IP Cores before V3.2.0, because register 9 is PHY specific.
TLK110	X	X	X	1		yes (Data sheet)	0-31	0	200 µs (conf. to <10 µs)	required		Disable Odd nibble detection via MII management, otherwise Forwarded RX errors cannot be detected. Fast Link Down mode with 10 µs reaction time is supported (requires configuration via MII management, default is 200 µs). Recommended configuration for Fast Link Down mode in SWSCR3: enable Bit 3 (RX Error count) and Bit 0 (Signal/Energy loss). MI Link detection and configuration must not be used for IP Cores before V3.2.0, because register 9 is PHY specific.
TLK111	X	X	X	1		yes (Data sheet)	0-31	0	200 µs (conf. to <10 µs)	required		Disable Odd nibble detection via MII management, otherwise Forwarded RX errors cannot be detected. Fast Link Down mode with 10 µs reaction time is supported (requires configuration via MII management, default is 200 µs). Recommended configuration for Fast Link Down mode in SWSCR3: enable Bit 3 (RX Error count) and Bit 0 (Signal/Energy loss). MI Link detection and configuration must not be used for IP Cores before V3.2.0, because register 9 is PHY specific.

4.4 Examples of Ethernet PHYs assumed to be incompatible with EtherCAT requirements

The following Ethernet PHYs are currently assumed or known to be **incompatible** with EtherCAT – because they do not support MDI/MDIX-auto-crossover which became state-of-the-art for many recent PHYs:

- AMD Am79C874, Am79C875 (datasheet: no MDI/MDIX-auto-crossover)
- Broadcom BCM5208R (datasheet: no MDI/MDIX-auto-crossover)
BCM5214 (datasheet: only RMII/SMII interface)
- Cortina Systems LXT970A, LXT971A, LXT972A, LXT972M, LXT974, LXT975 (datasheet: no MDI/MDIX-auto-crossover)
- Davicom Semiconductor DM9761 (datasheet: no MDI/MDIX-auto-crossover)
- Marvell 88E3016 (datasheet: only RGMII interface)
- Microchip KSZ8041 Rev. A3 (hardware test: no preamble maintenance) and maybe previous revisions
- Microchip LAN83C185 (datasheet: no MDI/MDIX-auto-crossover)
- STMicroelectronics STE100P (datasheet: no MDI/MDIX-auto-crossover)
- Teridian 78Q2120C (datasheet: no MDI/MDIX-auto-crossover)
- VIA Technology VT6103F, VT6303L (datasheet: no MDI/MDIX-auto-crossover)

5 EtherCAT over Optical Links (FX)

The intention of this chapter is to **share current knowledge** about FX operation with EtherCAT. The solutions and comments are still **work-in-progress**, they are possibly subject to change or even incomplete. Most of the presented example schematics have not been implemented in hardware, but they are expected to be working.

5.1 ESCs with native FX support

ESCs with FX support have individual PHY reset outputs for each port. This PHY reset output is intended to hold the PHY and the transceiver in reset state while the ESC is in reset state, and additionally, to issue a reset cycle when a link failure is detected by the enhanced link detection mechanism.

If at least one port is configured for FX operation, all ports have to use the individual PHY reset outputs. This is especially important for enhanced link detection, since all the PHY reset outputs are used for link down signalling instead of auto-negotiation restart, which is not used anymore – regardless of the port using FX or TX.

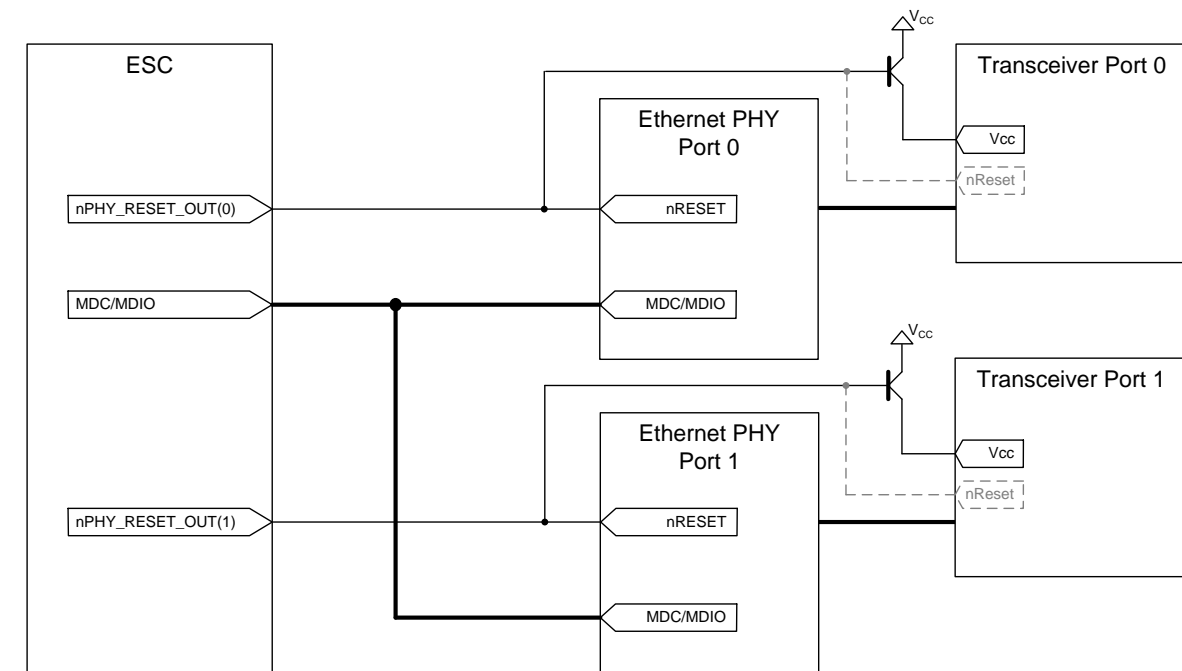


Figure 3: PHY reset connection for ESCs with FX support or mixed FX/TX support

5.2 ESCs without native FX support

5.2.1 Standard Link Detection

The Enhanced link detection restarts auto-negotiation between the PHYs if a certain level of receive errors is reached. With FX PHYs, auto-negotiation is not available (it is a 100Base-TX feature). Typically, PHYs ignore the restart auto-negotiation request. As a consequence, the EtherCAT slave controller waits endlessly for the link to go down. Other PHYs might get into a dead-lock, because auto-negotiation is enabled by the restart auto-negotiation request, but it will not complete due to the FX operation mode.

Thus, Enhanced Link Detection has to be turned off for FX links (unless Enhanced FX Link Detection is used, which is recommended. See later for more information). It is strongly recommended to use PHYs which are supporting Far-end-Fault (FEF) completely if Enhanced link detection is not used (refer to Section I of the ESC data sheets for more information on FEF).

5.2.1.1 Issue: Temporary Enhanced Link Detection while EEPROM is loading

Enhanced Link Detection is enabled after Reset, and it can only be disabled by EEPROM. This takes about 170 ms. In the meantime, the FX PHYs are powering up. Since they do not need to go through an auto-negotiation sequence, the link (signal detect) comes very early. It is possible that the link is detected, but communication is not possible (RX_ERR are detected). This can trigger the ESC to restart auto-negotiation before the EEPROM is loaded, resulting in potential PHY problems with the restart auto-negotiation request.

The recommended solution to overcome this issue is to power up the FX PHY (and the transceiver) at least 170 ms after the ESC, e.g. by an additional reset controller with delay or power sequencing (Figure 4 or Figure 5).

Another, recommended solution is the Enhanced FX Link Detection, discussed later.

5.2.1.2 Minimum solutions with Standard Link Detection

These two solutions represent the minimum solution for proper power-up and reset operation, but they have drawbacks in detection low quality links. The preferred solution is the Enhanced FX Link Detection, see later.

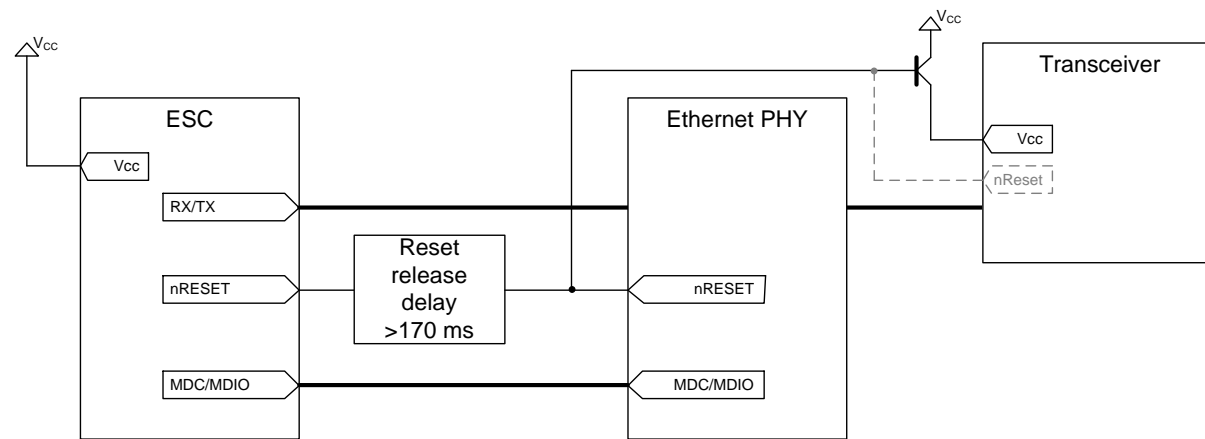


Figure 4: PHY reset release delay with transceiver power down/reset

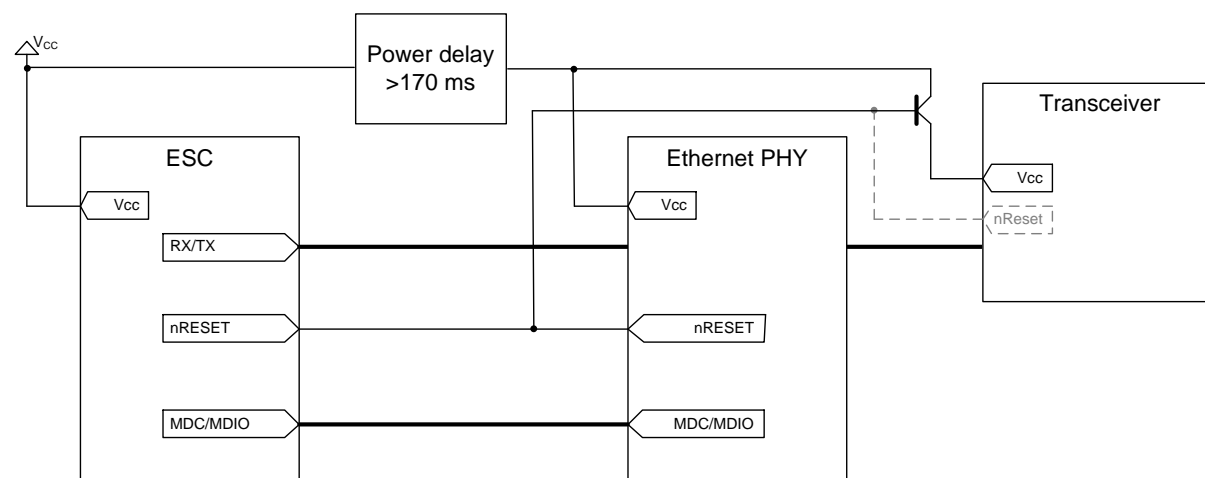


Figure 5: PHY power sequencing with transceiver power down/reset

5.2.2 Enhanced FX Link Detection

In order to detect erroneous links fast enough, it is desirable to use the error detection principle of Enhanced Link Detection also for FX PHYs. One possible solution is to use the Enhanced Link Detection logic inside the ESC, and another possible solution is to implement enhanced link detection logic with external logic, e.g. a CPLD.

The preferred solution is to let the ESC count the RX_ERR of the PHY, and to detect the restart auto-negotiation request of the ESC by some additional logic (CPLD or μ Controller etc.) attached to the MII management interface. This logic should reset the PHY and the Transceiver (power-down) for a short time. This reset causes a link down, which will be detected by the local ESC (which will leave its potential dead-lock state), and by the communication partner (link down, loop closed). If this solution is chosen, Enhanced Link Detection can be enabled in the EEPROM.

The MII management interface is still connected to the PHY, the CPLD/ μ C just snoops the bus. It is possible to use one CPLD/ μ C for all ports of the ESC. The PHY address has to be evaluated and individual reset outputs for each PHY have to be used.

Take care that a reset coming from the ESC also turns at least the transceiver off, in order to enable the communication partner to close the loop.

NOTE: Some PHYs use the "signal detect" input to switch into FX operation mode. If the transceiver is powered down, the PHY might not enter FX mode correctly. Other PHYs might not properly keep the auto-negotiation feature turned off, especially as the ESC tries to enable it with the auto-negotiation restart command. In such a case the PHY is required to be put into reset or power-down state, too.

5.2.2.1 Proposed solutions with Enhanced Link Detection

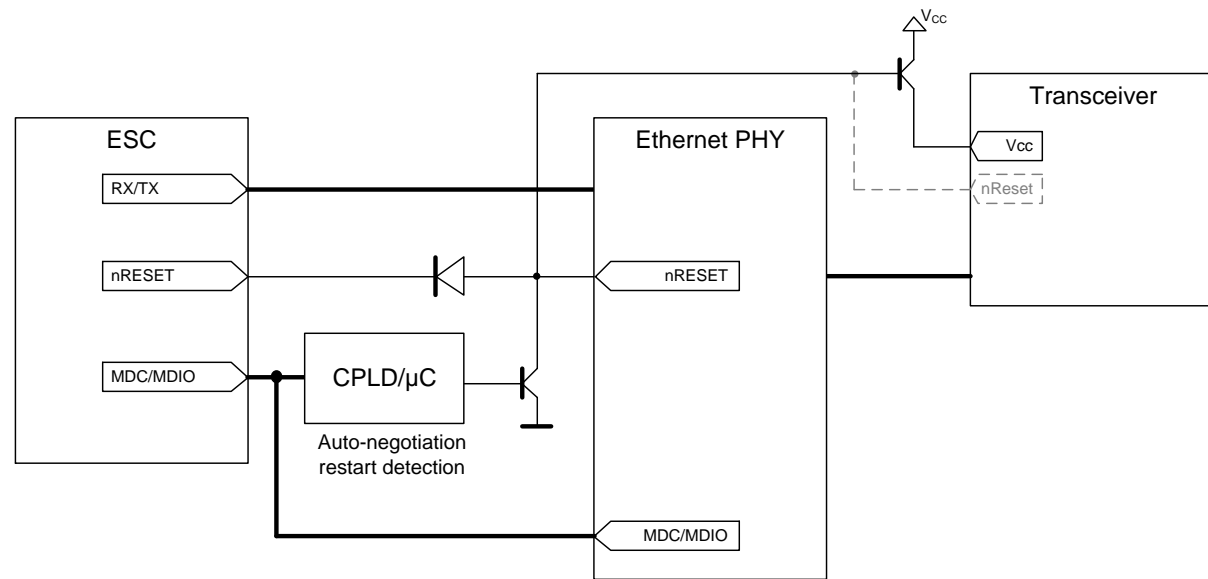


Figure 6: CPLD/μC detects auto-negotiation restart command and resets PHY and transceiver

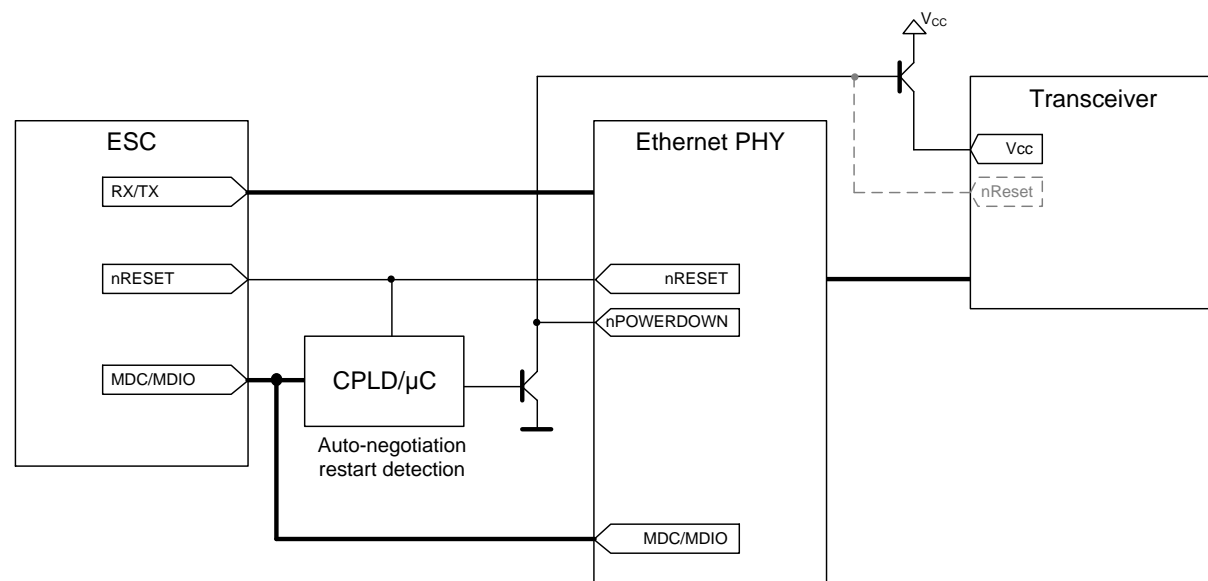


Figure 7: CPLD/μC detects auto-negotiation restart command and powers down PHY and transceiver

NOTE: In Figure 7, the CPLD/μC is connected to the nRESET signal of the ESC/PHY to power-down/reset the transceiver while the ESC/PHY is in reset state.

6 Gigabit Ethernet PHYs

Gigabit Ethernet PHYs can generally be used for EtherCAT, as long as the link speed is restricted to 100 Mbit/s, either by strapping options of the PHY or by using the autonegotiation advertisement.

Some ESCs are capable of restricting the autonegotiation advertisement of Gigabit Ethernet PHYs to 100 Mbit/s full-duplex if MI link detection and configuration is enabled.

Nevertheless, all other requirements of EtherCAT have to be fulfilled – especially the link loss reaction time (Enhanced Link Detection might be required).

7 Appendix

7.1 Support and Service

Beckhoff and our partners around the world offer comprehensive support and service, making available fast and competent assistance with all questions related to Beckhoff products and system solutions.

7.1.1 Beckhoff's branch offices and representatives

Please contact your Beckhoff branch office or representative for local support and service on Beckhoff products!

The addresses of Beckhoff's branch offices and representatives round the world can be found on her internet pages: <http://www.beckhoff.com>

You will also find further documentation for Beckhoff components there.

7.2 Beckhoff Headquarters

Beckhoff Automation GmbH & Co. KG
 Huelshorstweg 20
 33415 Verl
 Germany

Phone: +49 (0) 5246 963-0

Fax: +49 (0) 5246 963-198

E-mail: info@beckhoff.com

Web: www.beckhoff.com

Beckhoff Support

Support offers you comprehensive technical assistance, helping you not only with the application of individual Beckhoff products, but also with other, wide-ranging services:

- world-wide support
- design, programming and commissioning of complex automation systems
- and extensive training program for Beckhoff system components

Hotline: +49 (0) 5246 963-157

Fax: +49 (0) 5246 963-9157

E-mail: support@beckhoff.com

Beckhoff Service

The Beckhoff Service Center supports you in all matters of after-sales service:

- on-site service
- repair service
- spare parts service
- hotline service

Hotline: +49 (0) 5246 963-460

Fax: +49 (0) 5246 963-479

E-mail: service@beckhoff.com