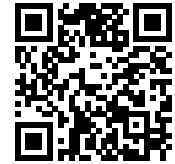


ZS7200-A013 | Socket, field assembly, EtherCAT/Ethernet, IP65/67, shielded



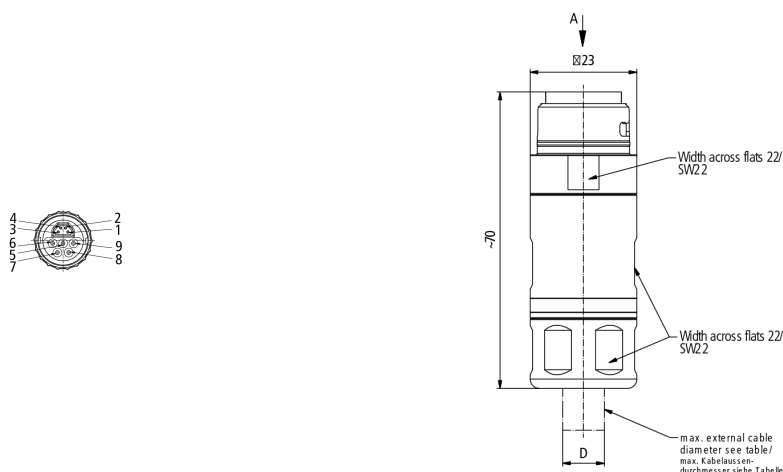
B17, socket, straight, male+female, pins 4+PE+4, EtherCAT-coded



Electrical data	
Rated voltage (Ethernet)	24 V DC
Rated current (Ethernet)	4 A at 40 °C
Rated voltage (power)	630 V AC / 850 V DC
Rated current (power)	15.5 A at 45 °C
Rated impulse voltage (power)	6.0 kV
Rated impulse voltage (Ethernet)	1.0 kV
Shielding	yes
Contact resistance	< 10 mΩ (signal), < 5 mΩ (power)
Insulation resistance	≥ 100 MΩ (according to IEC 60512)
Mechanical data	
Installation size	B17
Connector type	socket
Configuration	straight
Contact type	male+female
Number of positions (face)	pins 4+PE+4
Coding	EtherCAT-coded

Wire termination	crimp connection
Mating cycles	≥ 100
Way of locking	bayonet
Weight per piece	0.094 kg (0.2072 lb)
Body color	metal
Body material	CuZn, Ni
Coupling nut material	GD-Zn, Ni
Seal	NBR
Contact carrier material	PA, UL 94
Contact carrier color (Ethernet)	yellow
Contact carrier color (power)	red
Contact plating	Ni, Au gal.
Contact material	copper alloy
Max. wire cross-section (power)	AWG16/1.5 mm ²
Max. wire cross-section (Ethernet)	AWG22/0.34 mm ²
Max. cable outer diameter	10.0...11.5 mm
Environmental data	
Ambient temperature (operation)	-20...+80°C, -4...+176°F
Protection rating	IP65/67 in screwed condition (according to IEC 60529)
Pollution level	3/2 (according to IEC 60664-1)
Approvals	UL 2237: File E484763

Dimensions



A1	approx. 68.0 mm
A2	Ø23.0 mm

Notes

- Delivery without crimp contacts
- Illustrations similar

Ordering information	
ZS7200-A013	B17, socket, metal, shielded, crimp, straight, male+female, 5+4-pin, EtherCAT-coded, IP65/67, Ø 7.6 mm
Accessories	
ZB8810-0000	crimping tool for Ethernet element, M8, B12, B17, B23 contacts
ZB8810-0001	crimping insert and locator for Ethernet element, M8, B12, B17 contacts
ZB8802-0002	assembly tool for B17 connector, AF22
ZS7000-C002	Crimp contact, Ethernet element, female, AWG22/0.34 mm ² , PU = 50 pieces
ZS7000-C033	B17 crimp contact, male, 1.5 mm ² , Ø1.8 mm, packaging unit = 50 pieces
ZS7200-B005	B17 color coding connector/square flange, red, packaging unit = 10 pieces
ZS7200-B006	B17 color coding connector/square flange, yellow, packaging unit = 10 pieces
ZS7200-B007	B17 color coding connector/square flange, blue, packaging unit = 10 pieces
ZS7200-B008	B17 color coding connector/square flange, green, packaging unit = 10 pieces
ZS7200-B015	B17 color coding connector/square flange, orange, packaging unit = 10 pieces
ZS7200-B016	B17 color coding connector/square flange, gray, packaging unit = 10 pieces



Products marked with a crossed-out wheeled bin shall not be discarded with the normal waste stream. The device is considered as waste electrical and electronic equipment. The national regulations for the disposal of waste electrical and electronic equipment must be observed.

Beckhoff®, TwinCAT®, TwinCAT/BSD®, TC/BSD®, EtherCAT®, EtherCAT G®, EtherCAT G10®, EtherCAT P®, Safety over EtherCAT®, TwinSAFE®, XFC®, XTS® and XPlanar® are registered trademarks of and licensed by Beckhoff Automation GmbH. Other designations used in this publication may be trademarks whose use by third parties for their own purposes could violate the rights of the owners.

© Beckhoff Automation GmbH & Co. KG 08/2024

The information provided in this brochure contains merely general descriptions or characteristics of performance which in case of actual application do not always apply as described or which may change as a result of further development of the products. An obligation to provide the respective characteristics shall only exist if expressly agreed in the terms of contract.