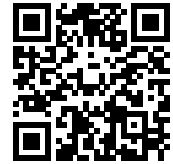


ZS1090-0035 | RJ45 plug field assembly, IP20, shielded

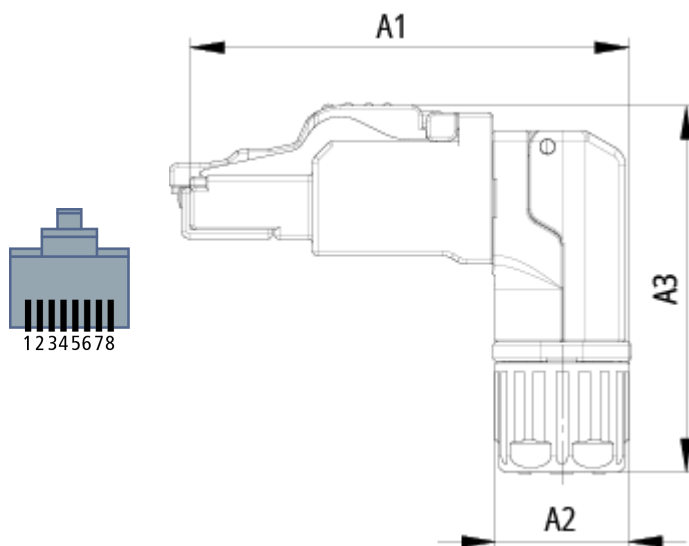


RJ45, plug, rotatable, angled, male, 8-pin



| Electrical data | |
|---------------------------------|-------------------|
| Rated current | 1 A at 50°C |
| Voltage proof (contact/contact) | ≥ 1000 V DC |
| Voltage proof (contact/shield) | ≥ 1500 V DC |
| Shielding | yes |
| Contact resistance | < 20 mΩ |
| Insulation resistance | ≥ 500 MΩ |
| Mechanical data | |
| Accessories type | Connectors |
| Installation size | RJ45 |
| Connector type | plug |
| Configuration | rotatable, angled |
| Contact type | male |
| Number of positions (face) | 8-pin |
| Wire termination | IDC |
| Mating cycles | ≥ 750 |
| Insertion force | ≤ 30 N |

| | |
|---------------------------------|--|
| Body color | metal |
| Body material | zinc diecast Ni plated |
| Contact carrier color | transparent |
| Contact carrier material | PC UL 94 V-0 |
| Contact plating | Au over Ni |
| Contact material | Steel |
| Max. wire cross-section | AWG24...AWG26 (0.25 mm ² ...0.14 mm ²) |
| Max. cable outer diameter | 5.5...10.0 mm |
| Environmental data | |
| Special features | PoE according to IEEE 802.3af, PoE+ according to IEEE 802.3at, 4PPoE according to IEEE 802.3bt, 10 Gigabit Ethernet acc. to IEEE 802.3an, Category 6A according to ISO/IEC 11801; DIN EN 50173-1 and ANSI/TIA-568-C.2, Class EA according to ISO/IEC 11801; DIN EN 50173-1 |
| RoHS compliant | yes, acc. to directive 2011/65/EU |
| Ambient temperature (operation) | -40...+85°C, -40...+185°F |
| Protection rating | IP20 (according to IEC 60529) |
| Approvals | UL listed |
| Application Note | Outlet direction can be changed in 4 steps (90°) |

Dimensions

| | |
|----|------------|
| A1 | 45.70 mm |
| A2 | Ø 13.80 mm |
| A3 | 38.00 mm |

Notes

- Illustrations similar

Ordering information

ZS1090-0035

plug, field assembly, RJ45, IP20, angled, male, 8-pin, AWG22...26, PU = 10 pieces,
Ø 5.0...9.0 mm, shielded



Products marked with a crossed-out wheeled bin shall not be discarded with the normal waste stream. The device is considered as waste electrical and electronic equipment. The national regulations for the disposal of waste electrical and electronic equipment must be observed.

Beckhoff®, TwinCAT®, TwinCAT/BSD®, TC/BSD®, EtherCAT®, EtherCAT G®, EtherCAT G10®, EtherCAT P®, Safety over EtherCAT®, TwinSAFE®, XFC®, XTS® and XPlanar® are registered trademarks of and licensed by Beckhoff Automation GmbH. Other designations used in this publication may be trademarks whose use by third parties for their own purposes could violate the rights of the owners.

© Beckhoff Automation GmbH & Co. KG 07/2024

The information provided in this brochure contains merely general descriptions or characteristics of performance which in case of actual application do not always apply as described or which may change as a result of further development of the products. An obligation to provide the respective characteristics shall only exist if expressly agreed in the terms of contract.